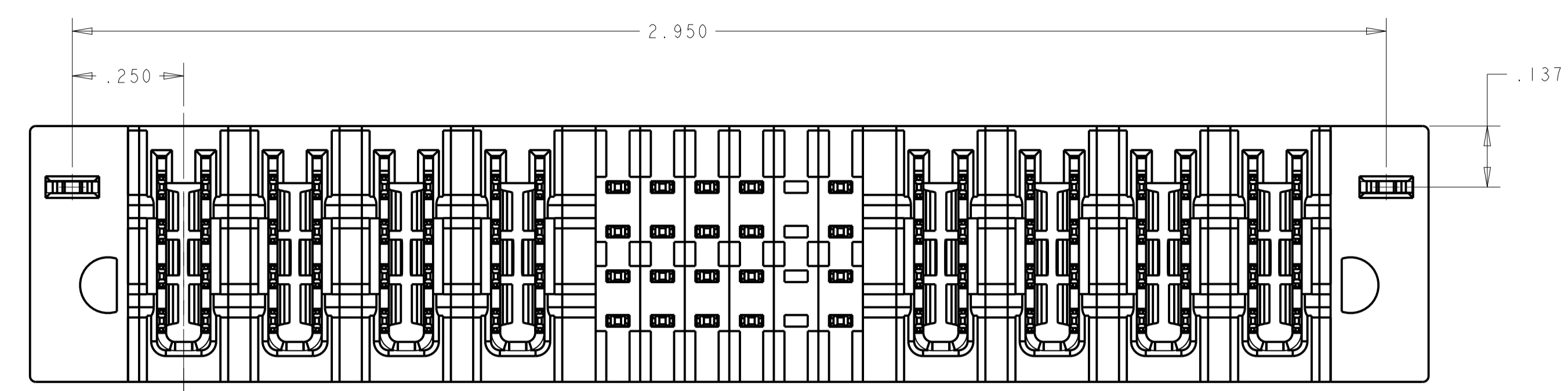
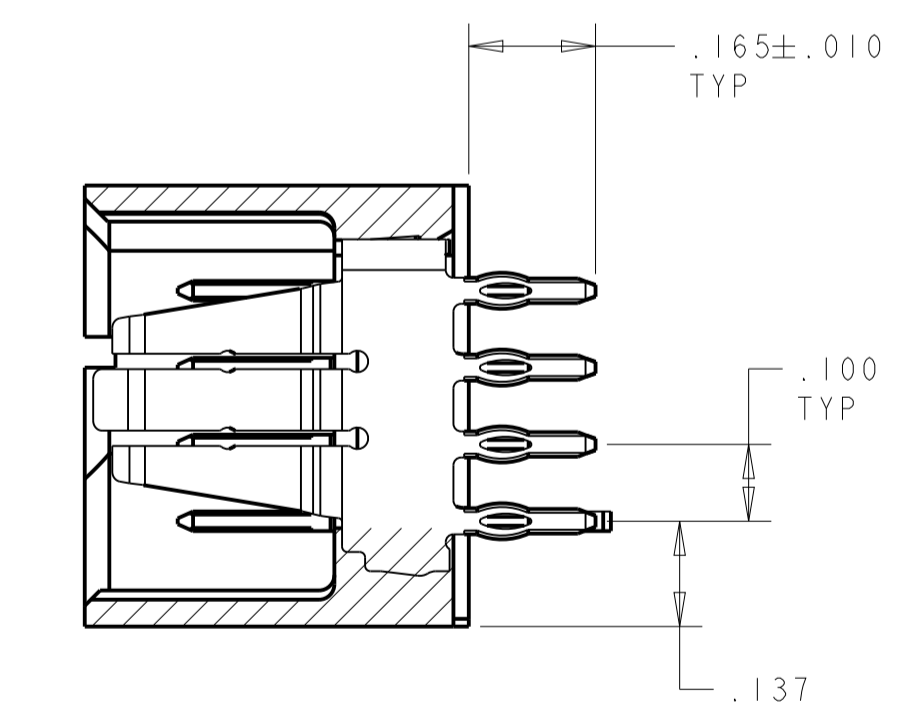
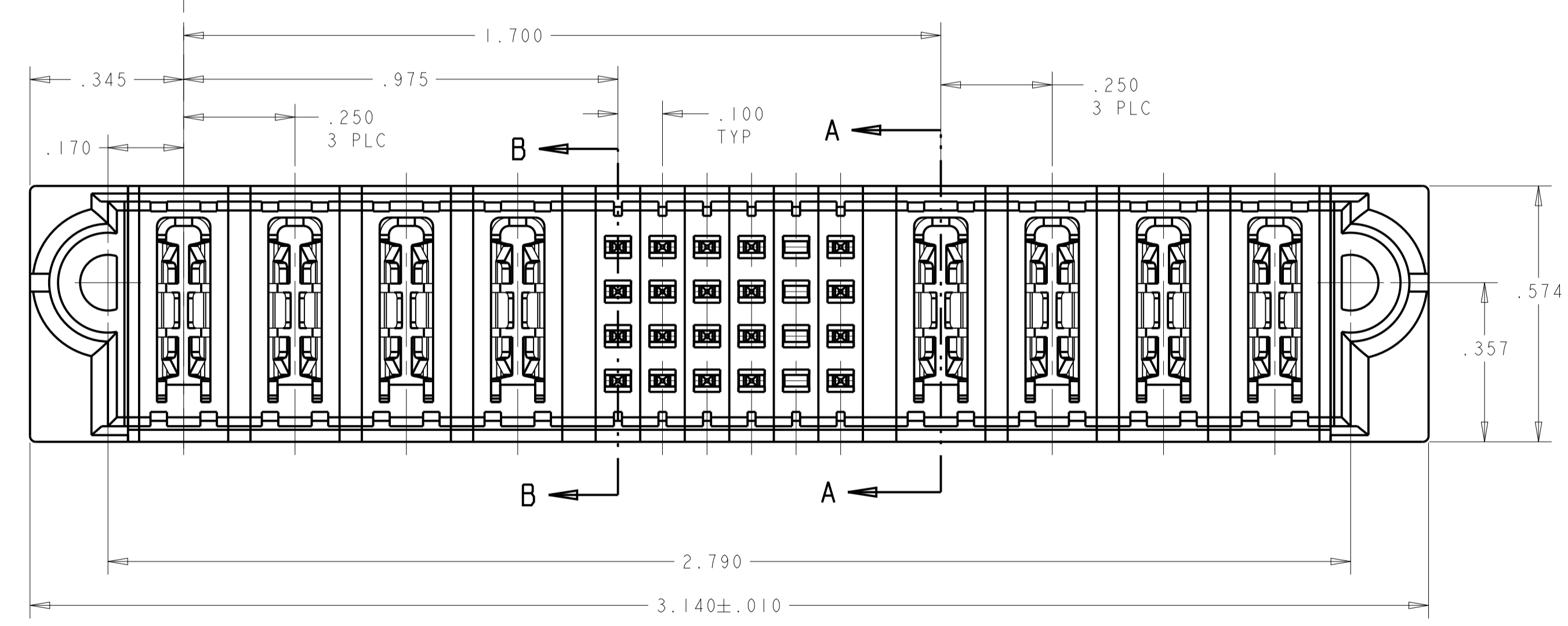
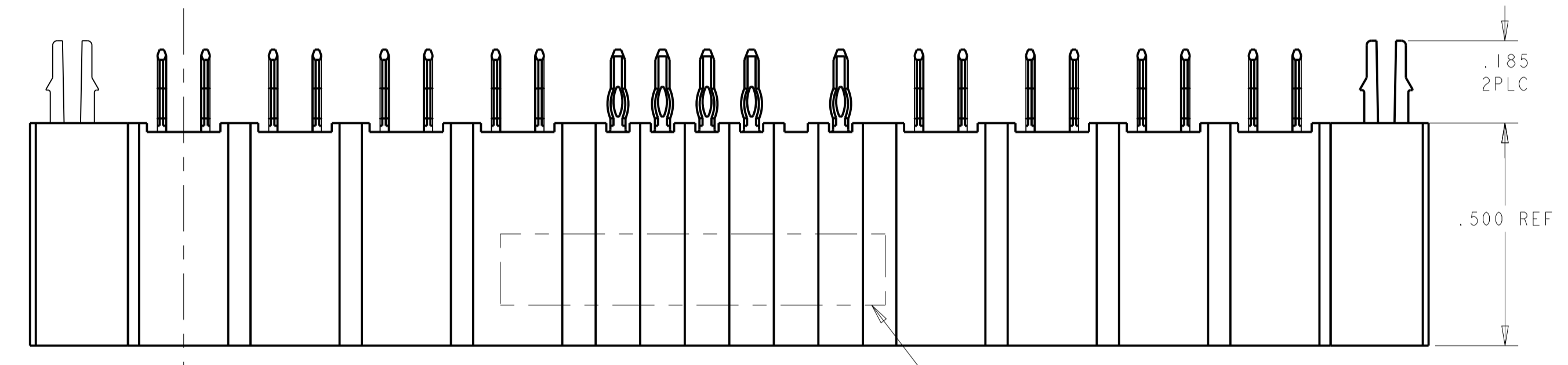


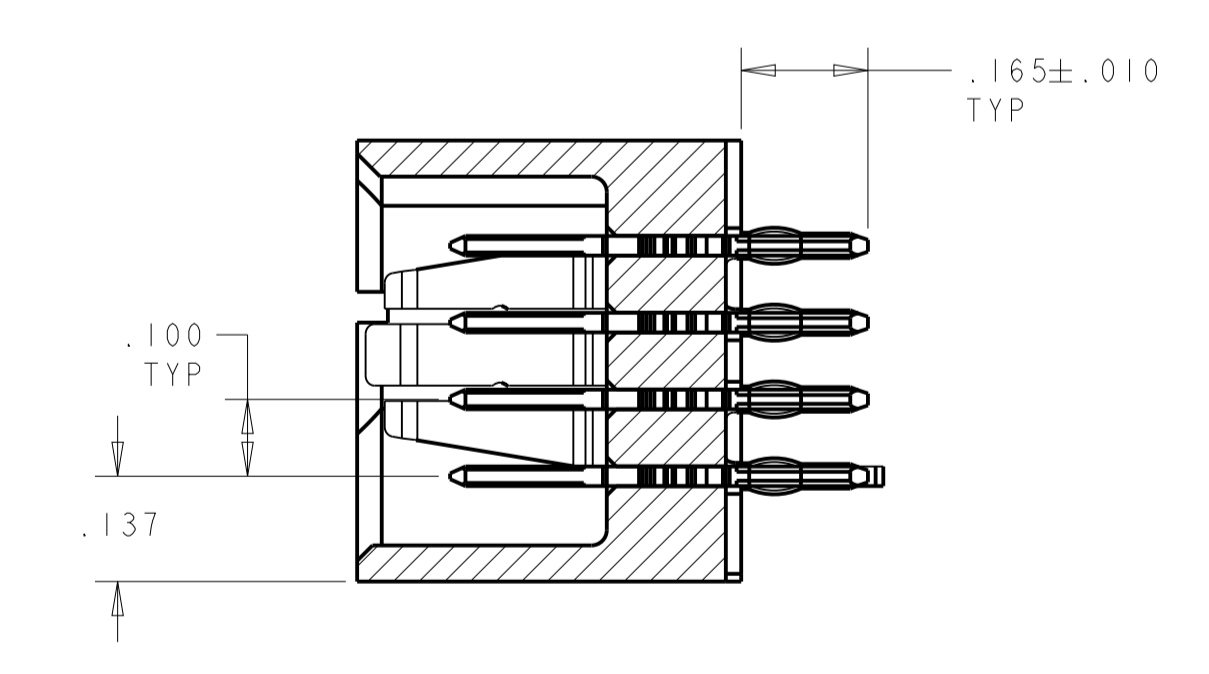
| LOC | DIST | REVISIONS | | | |
|-----|------|-----------|-----------|----|------|
| ES | 00 | REV | DATE | BY | APPV |
| | | 1 | 16APR2007 | SZ | SY |
| | | 2 | 19APR2007 | SZ | SY |
| | | 3 | 28NOV2007 | HL | SY |
| | | 4 | 24FEB2014 | OL | SZ |



- 1 HEADER HOUSING: THERMO PLASTIC, BLACK, UL94 V-0; CONTACTS AND RETENTION CLIPS: COPPER ALLOY.
- 2 CONTACT PLATING: NOBLE METAL PLATING ON CONTACT FUNCTIONAL AREA OF POWER AND SIGNAL CONTACTS
- 3 "AMP", PART NUMBER AND DATE CODE MARKED IN THIS AREA. PARTS UNDER 2.50" LONG MAY BE MARKED ON BOTH SIDES.
- 4 DATUM AND BASIC DIMENSIONS ESTABLISHED BY CUSTOMER.
- 5 PCB - ALL HOLE DIAMETERS ARE FINISHED HOLE SIZES.
- 6 A SEATING TOOL IS REQUIRED TO SEAT THE HEADER ON THE P.C. BOARD. PLEASE REFER TO THE 114-13038 APPLICATION SPEC.
- 7 MECHANICAL CONNECTOR KEEP OUT ZONE.



SECTION A-A



SECTION B-B

| | |
|---------------|-------------|
| 4P + 24S + 4P | 1888766-1 |
| DESCRIPTION | PART NUMBER |

| | | | |
|--|---|--|--|
| <small>THIS DRAWING IS UNPUBLISHED. RELEASED FOR PUBLICATION BY TYCO ELECTRONICS CORPORATION. ALL RIGHTS RESERVED.</small> | | DWN: S. ZHAO 16APR2007 CHK: S. ZHAO 16APR2007 APVD: S. YAO | Tyco Electronics Corporation Shanghai, P.R. China, 200233 |
| DIMENSIONS: INCHES | TOLERANCES UNLESS OTHERWISE SPECIFIED: 0 PLC ±. 1 PLC ±. 2 PLC ±. 3 PLC ±.005 4 PLC ±. ANGLES ±7° FINISH | PRODUCT SPEC: 108-1973 APPLICATION SPEC: 114-13038 WEIGHT: | NAME: VERTICAL HEADER ASSEMBLY W/ SHORT END MODULES MULTI-BEAM XLE SIZE: A1 CAGE CODE: 100779 DRAWING NO: C=1888766 RESTRICTED TO: |
| MATERIAL: | | CUSTOMER DRAWING | SCALE: 4:1 SHEET 1 OF 2 REV 4 |

单击下面可查看定价，库存，交付和生命周期等信息

[>>TE Connectivity\(泰科\)](#)