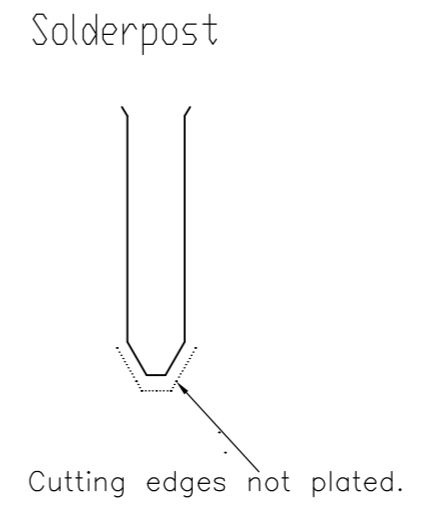
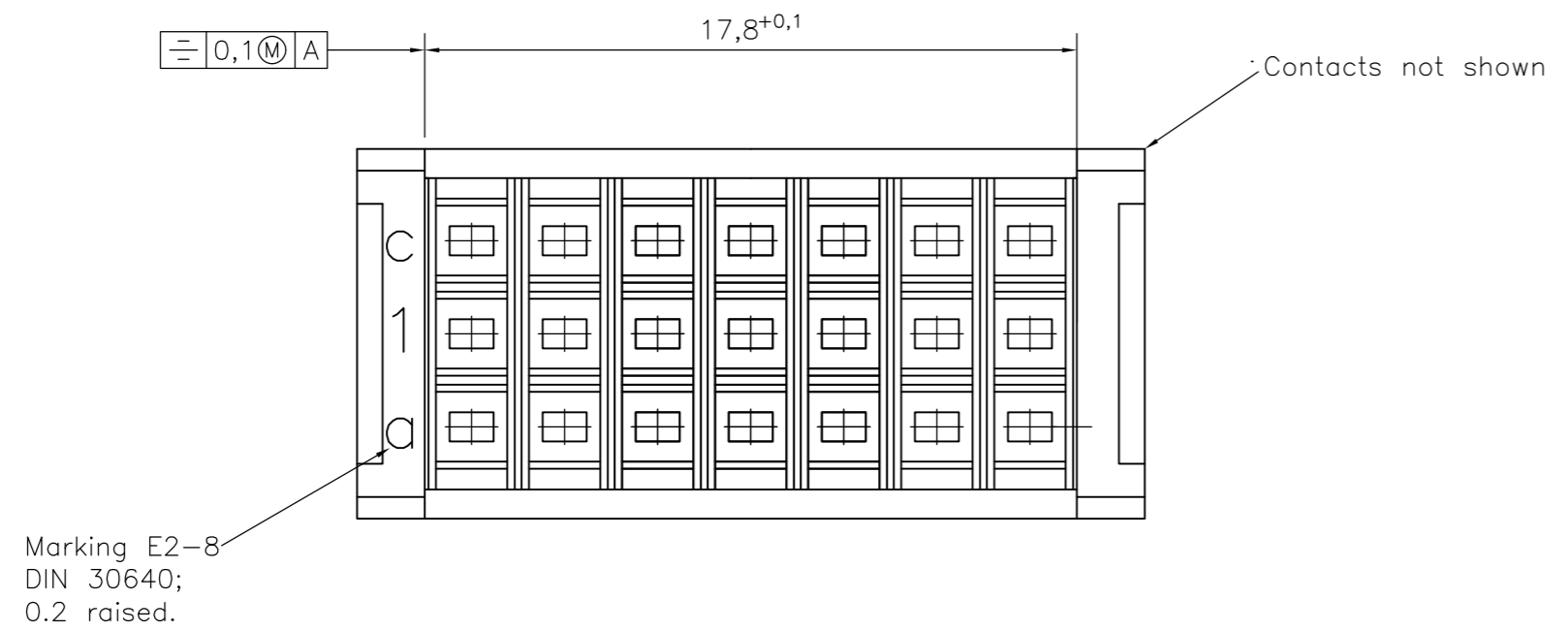


THIS DRAWING IS UNPUBLISHED. RELEASED FOR PUBLICATION  
 © COPYRIGHT BY TYCO ELECTRONICS CORPORATION. ALL INTERNATIONAL RIGHTS RESERVED.

| LOC | DIST | REVISIONS |     |               |          |     |      |
|-----|------|-----------|-----|---------------|----------|-----|------|
| H   | -    | P         | LTR | DESCRIPTION   | DATE     | DWN | APVD |
|     |      | A         |     | WO 00/7012    | 20-07-09 | -   | VS   |
|     |      | B         |     | SR10-0250-02  | 24-05-02 | -   | BC   |
|     |      | B1        |     | ECR-09-015706 | 24-11-09 | AEG | MKO  |



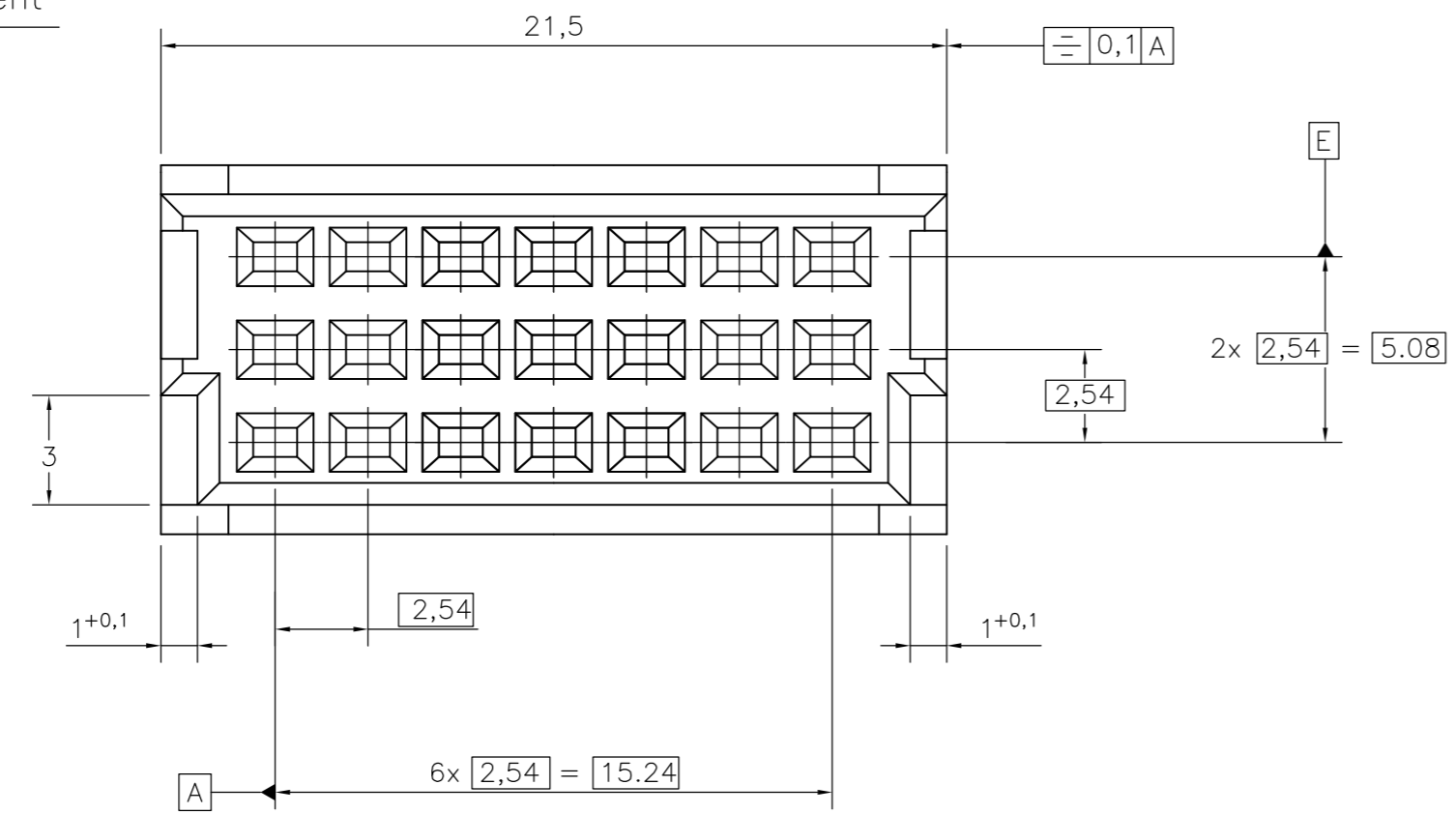
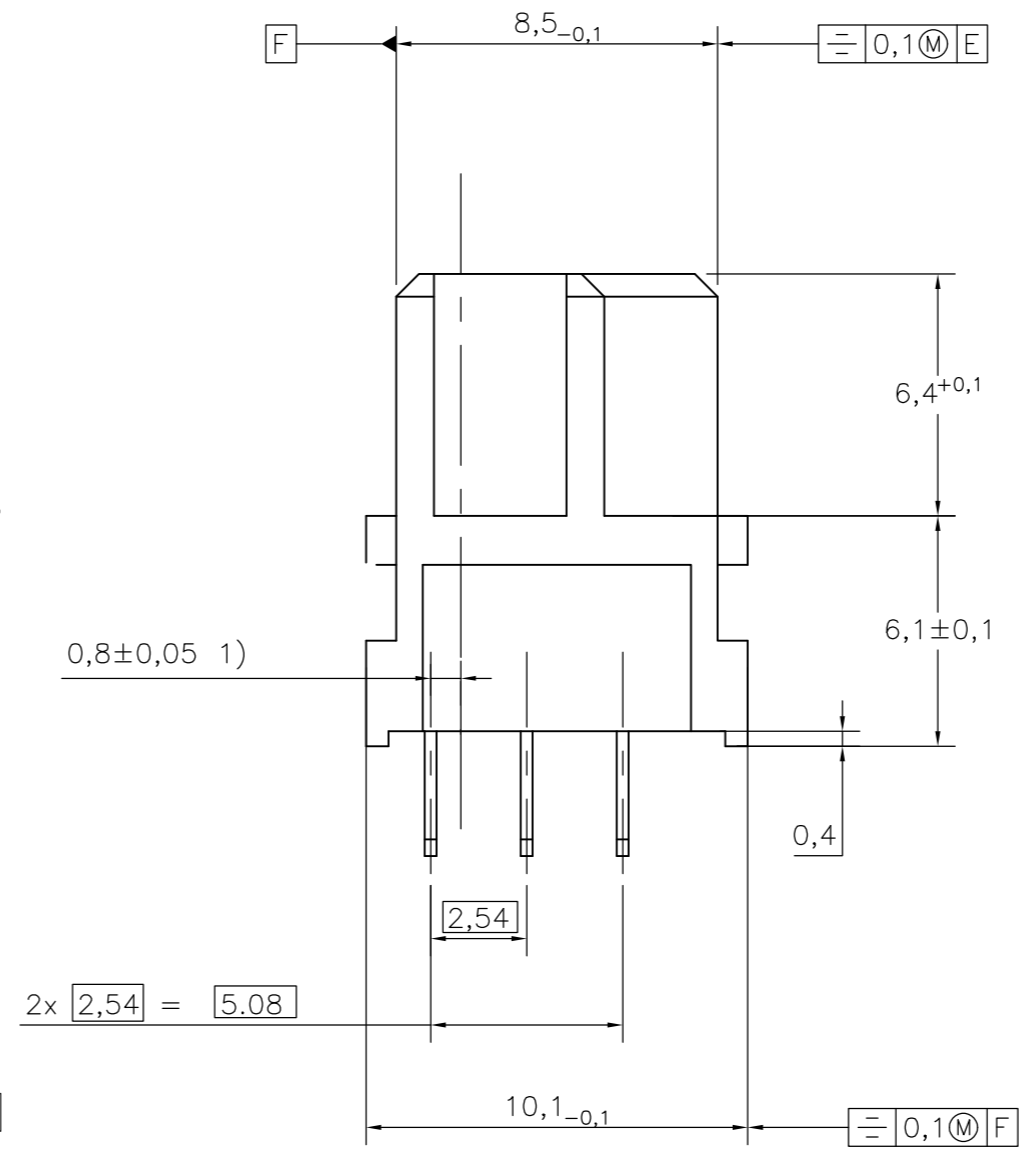
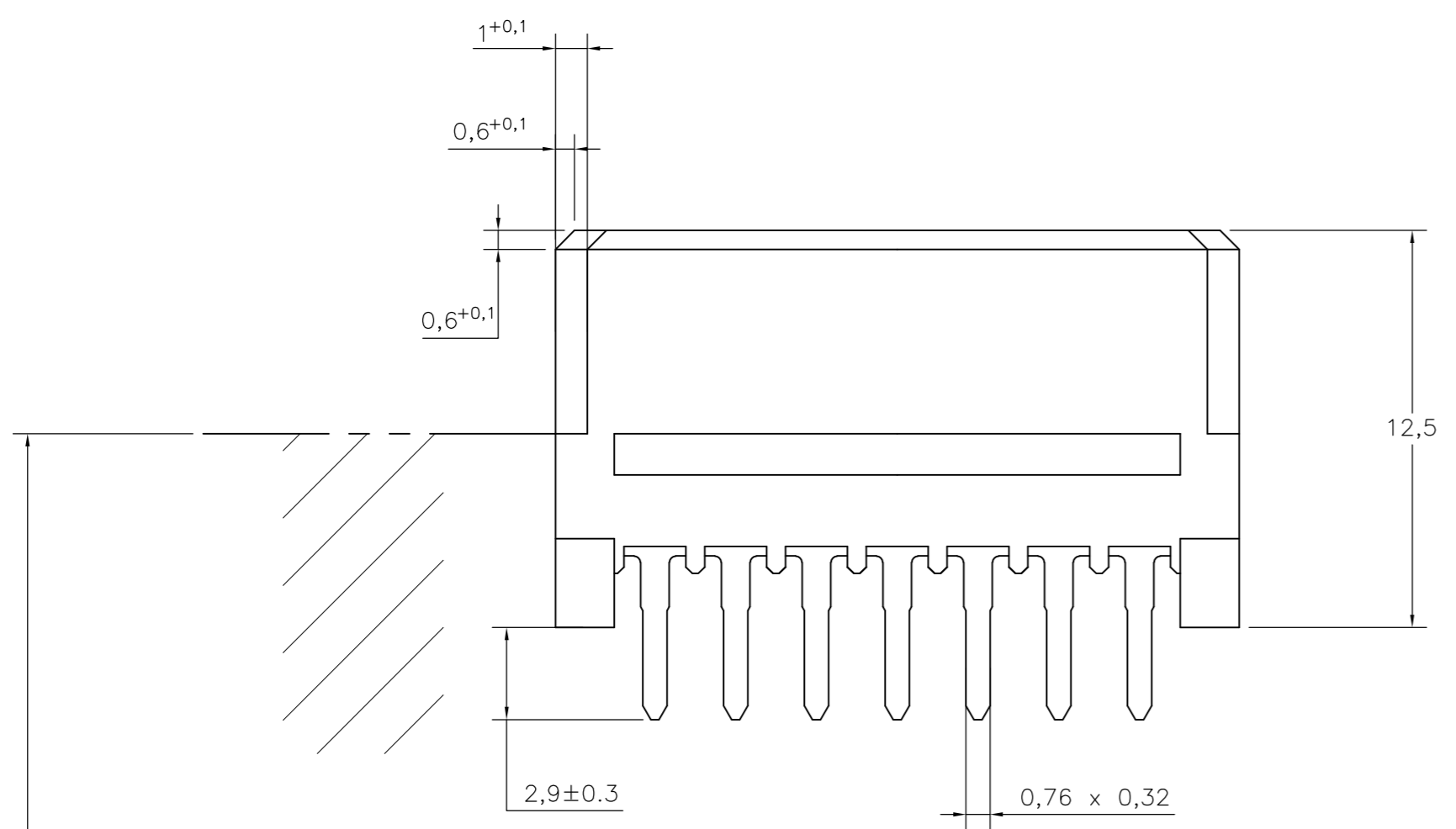
Loading Pattern (21 contacts)

|       | 1 | 2 | 3 | 4 | 5 | 6 | 7 |
|-------|---|---|---|---|---|---|---|
| Row a | + | + | + | + | + | + | + |
| Row b | + | + | + | + | + | + | + |
| Row c | + | + | + | + | + | + | + |

+ = contact  
o = no contact

Specifications acc. IEC 603-2. Performance Level 2

Housing : PBTP 30% Glasfilled (UL94-V0)  
 Pebblegrey similar RAL 7032  
 Contact material : Copper Alloy  
 Plating : Contact area : PdNi+Au or Au  
 Termination area : Sn with flux-tight coating.



1) Center-displacement between termination- and contact-side.

Active Partnumber. Contact Tyco Electronics for other configuration availability

| Old Partnumber  | TE Part number |
|-----------------|----------------|
| V42254-F2299-R7 | 1393657-5      |

|  |  |                  |          |   |
|--|--|------------------|----------|---|
| THIS DRAWING IS A CONTROLLED DOCUMENT. |  | DWN              | 10JUN98  | Tyco Electronics Corporation<br>'s-Hertogenbosch, Nederland |
| DIMENSIONS: mm                         |  | CHK              | -        |   |
| TOLERANCES UNLESS OTHERWISE SPECIFIED: |  | APVD             | -        | NAME  |
| 0 PLC ± -                              |  | PRODUCT SPEC     | PD_COM   |   |
| 1 PLC ± -                              |  | APPLICATION SPEC | -        | Receptacle Ass'y, Type R, 21 pos.<br>V42254-F2299-R7-* -26  |
| 2 PLC ± -                              |  | WEIGHT           | -        |   |
| 3 PLC ± -                              |  | SCALE            | 5:1;10:1 | RESTRICTED TO   |
| 4 PLC ± -                              |  | SHEET            | 1 OF 1   |   |
| ANGLES ± -                             |  | REV              | B1       |   |
| FINISH                                 |  | CUSTOMER DRAWING |          |   |

单击下面可查看定价，库存，交付和生命周期等信息

[>>TE Connectivity\(泰科\)](#)