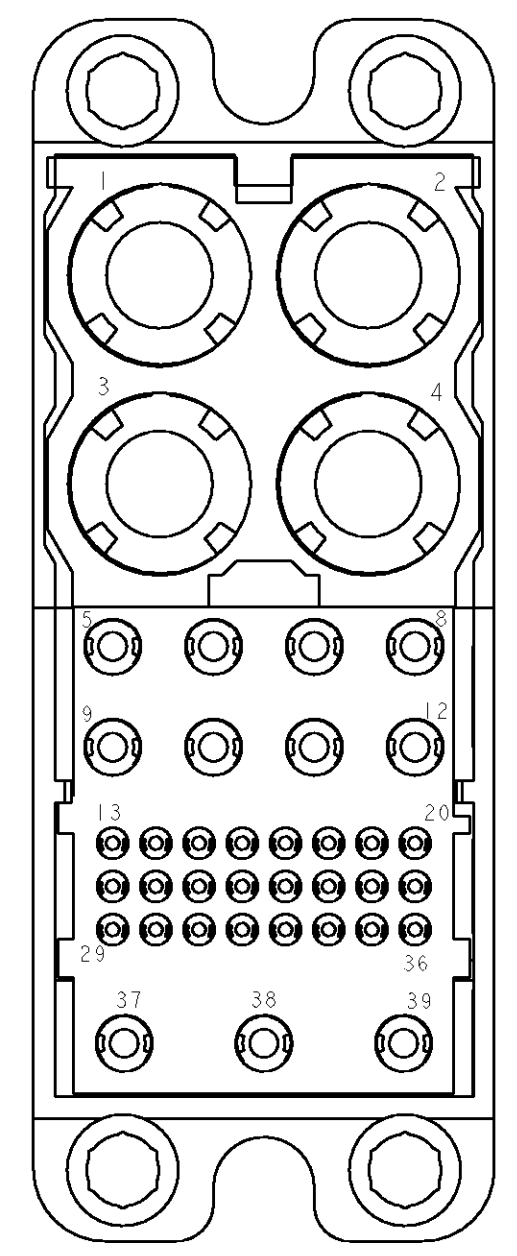
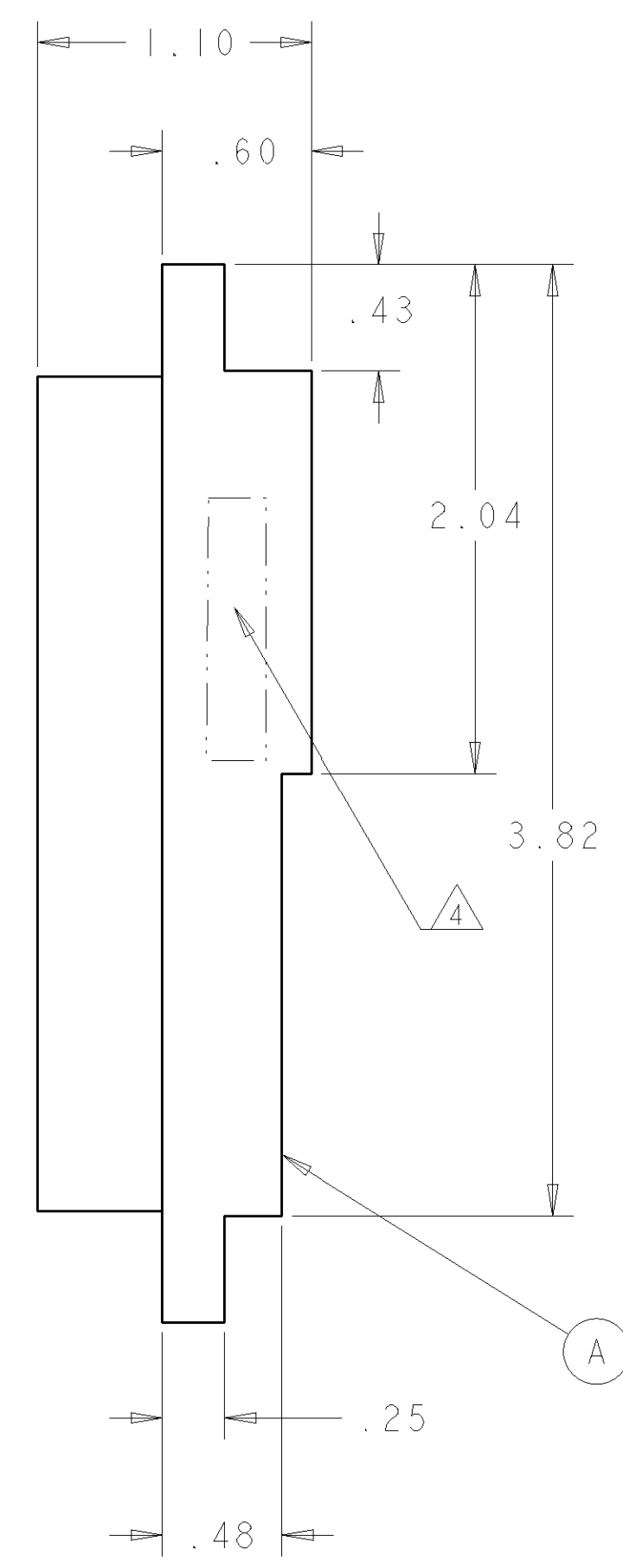
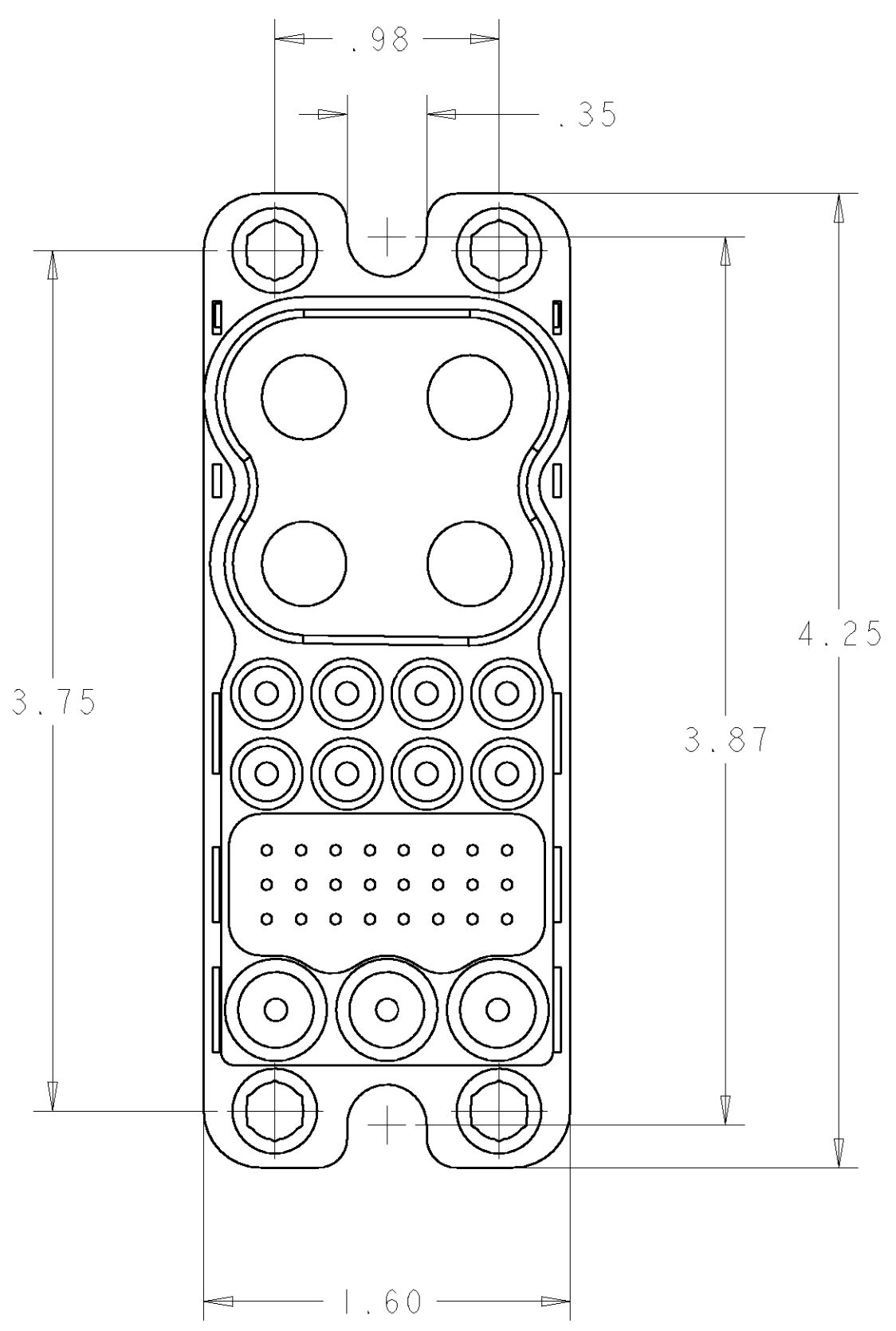


THIS DRAWING IS UNPUBLISHED. RELEASED FOR PUBLICATION 20
 © COPYRIGHT 20 BY TYCO ELECTRONICS CORPORATION. ALL RIGHTS RESERVED.

LOC		DIST		REVISIONS			
P	LTR	DESCRIPTION	DATE	DWN	APVD		
GP	00	A	NEW RELEASED	16APR2007	RG	DO	



PIN CONTACT (B)
 SIZE #0
 PIN CONTACT (D)
 SIZE #12
 PIN CONTACT (C)
 SIZE #20
 PIN CONTACT (D)
 SIZE #12

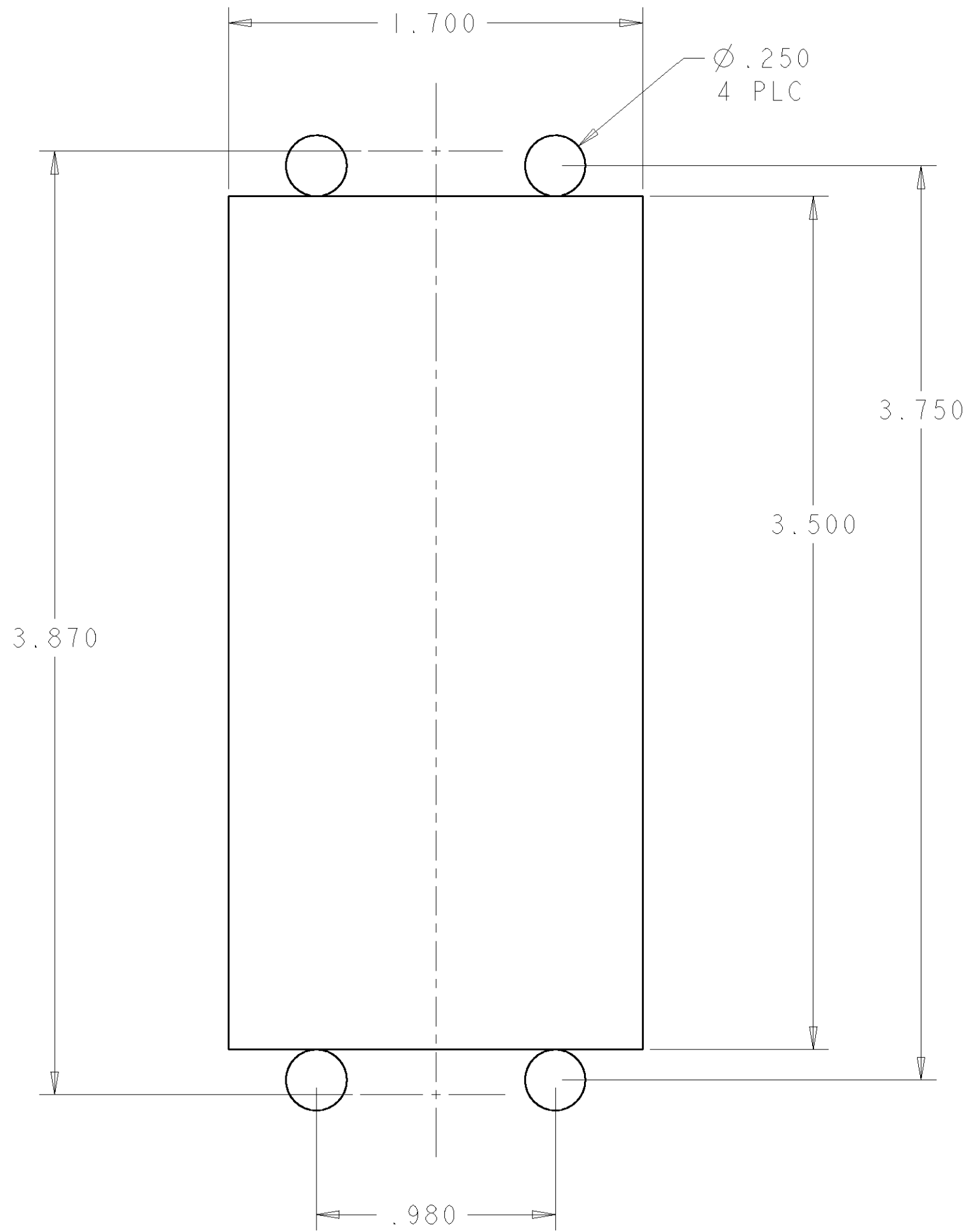
△5	2	1650399-1	SCREW, NO. 10-32 UNC 2A	E
△5	11	1766193-1	CONTACT, PIN, #12, CRIMP	D
△5	10	1650155-1	CONTACT, PIN, #20, CRIMP	C
△5	4	1766811-1	CONTACT, PIN, #0, CRIMP	B
	1	1648552-2	CONNECTOR, PIN	A
	-1	PART NUMBER	DESCRIPTION	ITEM

DIMENSIONS: INCHES 		TOLERANCES UNLESS OTHERWISE SPECIFIED: 0 PLC ± 1 PLC ± 2 PLC ±.02 3 PLC ±.010 4 PLC ± ANGLES ±.5 FINISH		DWN R. GRZYBOWSKI 22MAR07 CHK D. ORRIS 22MAR07 APVD S. FLICKINGER 22MAR07 PRODUCT SPEC APPLICATION SPEC WEIGHT CUSTOMER DRAWING		tyco Electronics Tyco Electronics Harrisburg, PA 17105-3608 NAME DOUBLE DRAWER CONNECTOR, PIN SIZE CAGE CODE DRAWING NO RESTRICTED TO A200779C-1926461 - SCALE 2:1 SHEET 1 OF 2 REV A	
---------------------------	--	--	--	---	--	--	--

ELCON DRAWER

THIS DRAWING IS UNPUBLISHED. RELEASED FOR PUBLICATION 20
 © COPYRIGHT 20 BY TYCO ELECTRONICS CORPORATION. ALL RIGHTS RESERVED.

LOC	DIST	REVISIONS					
GP	00	P	LTR	DESCRIPTION	DATE	DWN	APVD
		-		SEE SHEET 1	-	-	-



- PART NUMBER CHANGES AND OR DESIGN CHANGES AFFECTING THE INTERCHANGEABILITY REQUIRE PRIOR TYCO APPROVAL AND AUTHORIZATION BY REVISION TO THIS DRAWING.
- MATERIAL:
 INSULATOR: THERMOPLASTIC, GLASS REINFORCED, UL 94V-0
 FLAMMABILITY RATED, COLOR: BLACK
 PIN CONTACT: TELLURIUM COPPER ALLOY
 RETENTION CLIP: BERYLLIUM COPPER
 CROWN BAND: BERYLLIUM COPPER
 FLOAT MOUNT SCREWS: STAINLESS STEEL
- FINISH:
 PIN CONTACTS SIZE#0 & #12: SILVER PLATE .000200 MIN THK.
 OVER NICKEL .000040 MIN THK.
 PIN CONTACTS SIZE #20: GOLD PLATE .000010 MIN THK.
 OVER NICKEL .000040 MIN THK.
 CROWN BAND: GOLD PLATE .000030 MIN THK. OVER
 NICKEL .000040 MIN. THK.

△ ITEMS PROVIDED TO THIS SPECIFICATION TO BE PERMANENTLY IDENTIFIED PER THE FOLLOWING IDENTIFIER:

YEAR | WEEK

TYCO PART NUMBER DATE CODE (e.g. 0216)

XXXXXX-X XXXX

△ CRIMP CONTACTS AND SCREWS (ITEMS B,C, D & E) SHALL BE PACKAGED SEPARATELY AND PLACED IN THE BOX WITH THE CONN. ASSEMBLY.

SUGGESTED PANEL CUTOUT
 VIEWED FROM CONNECTOR MOUNTING SIDE

<small>THIS DRAWING IS A CONTROLLED DOCUMENT FOR TYCO ELECTRONICS CORPORATION IT IS SUBJECT TO CHANGE AND THE CONTROLLING ENGINEERING ORGANIZATION SHOULD BE CONTACTED FOR THE LATEST REVISION.</small>		DWN R. GRZYBOWSKI 22MAR07 CHK D. ORRIS 22MAR07 APVD S. FLICKINGER 22MAR07	tyco Electronics Tyco Electronics Harrisburg, PA 17105-3608
DIMENSIONS: INCHES 	TOLERANCES UNLESS OTHERWISE SPECIFIED: 0 PLC ± 1 PLC ± 2 PLC ±.02 3 PLC ±.010 4 PLC ± ANGLES ±.5 FINISH	PRODUCT SPEC APPLICATION SPEC WEIGHT	NAME DOUBLE DRAWER CONNECTOR, PIN SIZE CAGE CODE DRAWING NO RESTRICTED TO A200779 C-1926461 -
MATERIAL		CUSTOMER DRAWING	SCALE 2:1 SHEET 2 OF 2 REV A

单击下面可查看定价，库存，交付和生命周期等信息

[>>TE Connectivity\(泰科\)](#)