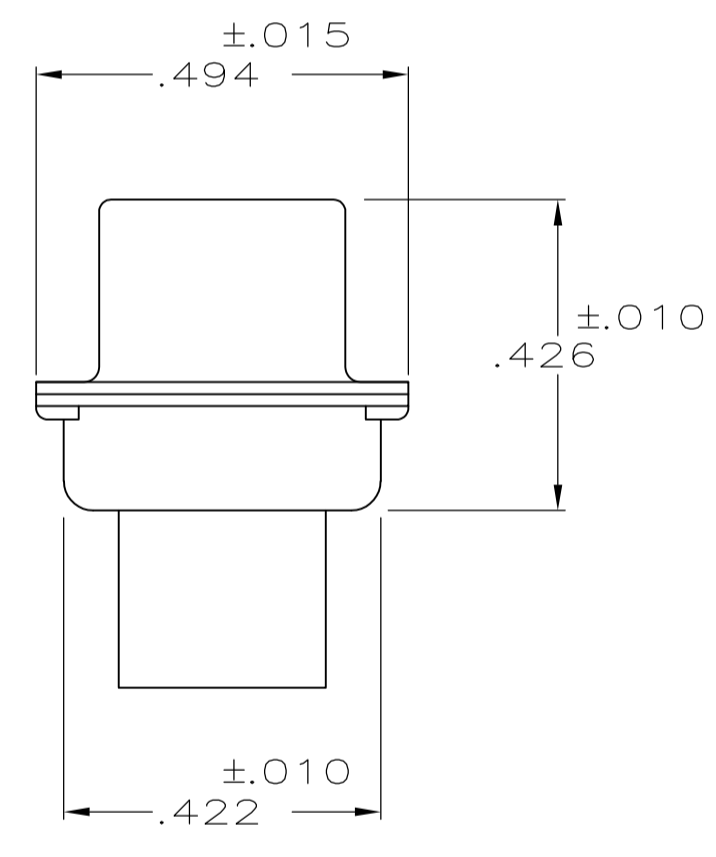
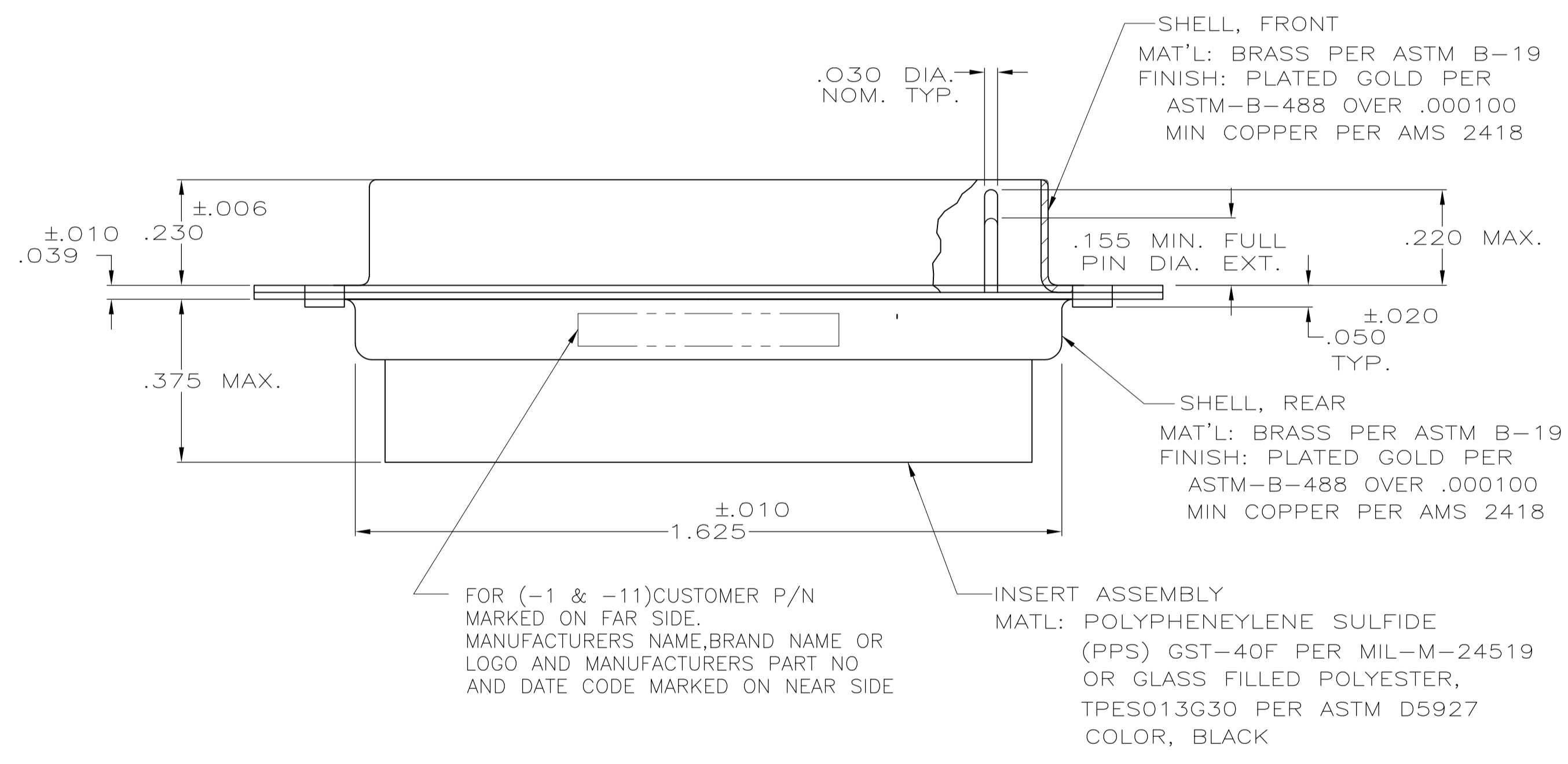
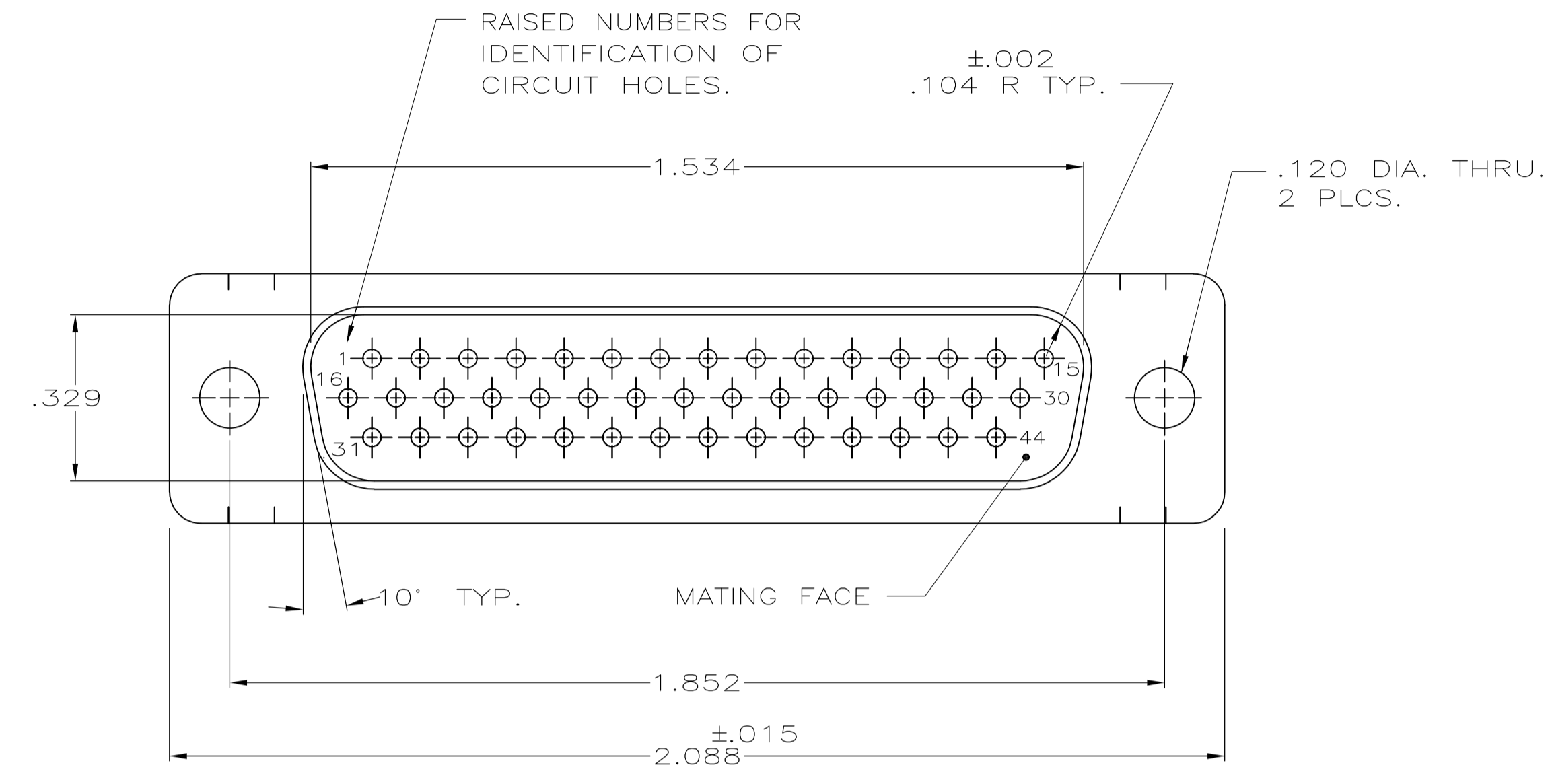


1. THIS PLUG WILL MATE WITH ANY SIZE 3,44 POSN. RECEPTACLE IN AMPLIMITE SERIES.
 2. CONNECTOR SUPPLIED WITHOUT CONTACTS; SHOWN FOR ILLUSTRATION ONLY.
 3. BE-CU RETENTION CLIPS ARE INCLUDED IN INSERTS AND INSTALLED WITH TINES POINTING TOWARDS MATING FACE.
 4. OVERALL DIMENSIONS DO NOT INCLUDE RAISED CAVITY IDENTIFICATION
 5. MARKING FAR SIDE REFERS TO WIDE SIDE OF KEYSTONE. NEAR SIDE REFERS TO NARROW SIDE OF KEYSTONE
- ⚠ 100% INSPECTION REQUIRED PER BOEING 1B01:
 A. VISUAL
 B. DWV
 C. IR
7. CUSTOMER REQUIRES SINGLE LOT DATE CODE.



REMARKS	1B01-009PHW	1-211651-1
	1B01-009	211651-1
	CUSTOMER MARKING	PART NO.

THIS DRAWING IS A CONTROLLED DOCUMENT.

DWN	D. ERDMAN	3-12-84	Tyco Electronics Corporation Harrisburg, PA 17105-3608
CHK	B. YOHN	4-26-84	
APVD	G. SACUNAS	7-5-84	
NAME			
DIMENSIONS:	TOLERANCES UNLESS OTHERWISE SPECIFIED:		PRODUCT SPEC
INCHES			APPLICATION SPEC
0 PLC	±	-	RESTRICTED TO
1 PLC	±	-	
2 PLC	±	-	
3 PLC	±	.005	
4 PLC	±	.010	
ANGLES	± 0°30'		
MATERIAL	SEE CALLOUTS		SIZE
FINISH	SEE CALLOUTS		CAGE CODE
			DRAWING NO
			211651
			SCALE
			4:1
			SHEET
			1 OF 1
			REV
			E

单击下面可查看定价，库存，交付和生命周期等信息

[>>TE Connectivity\(泰科\)](#)