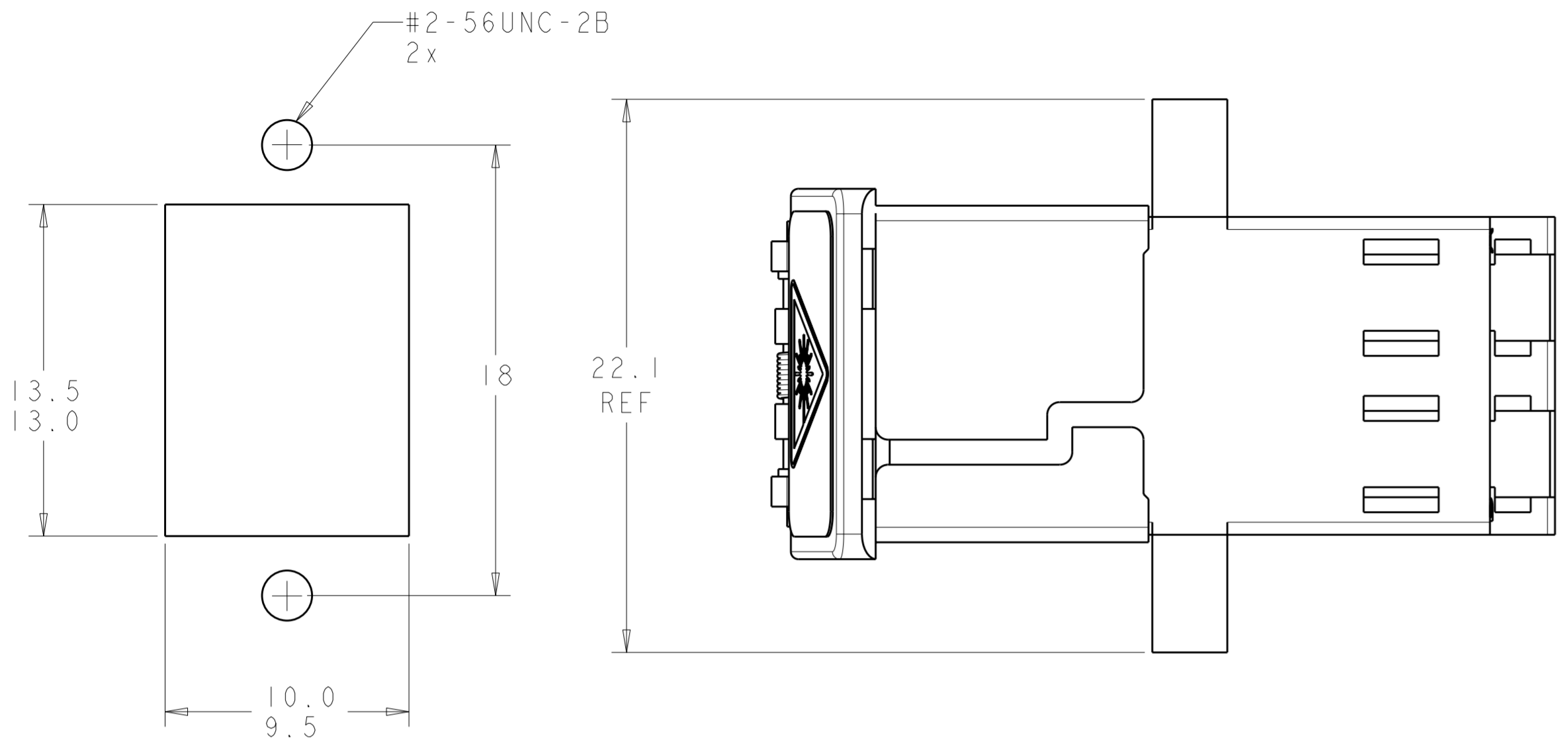
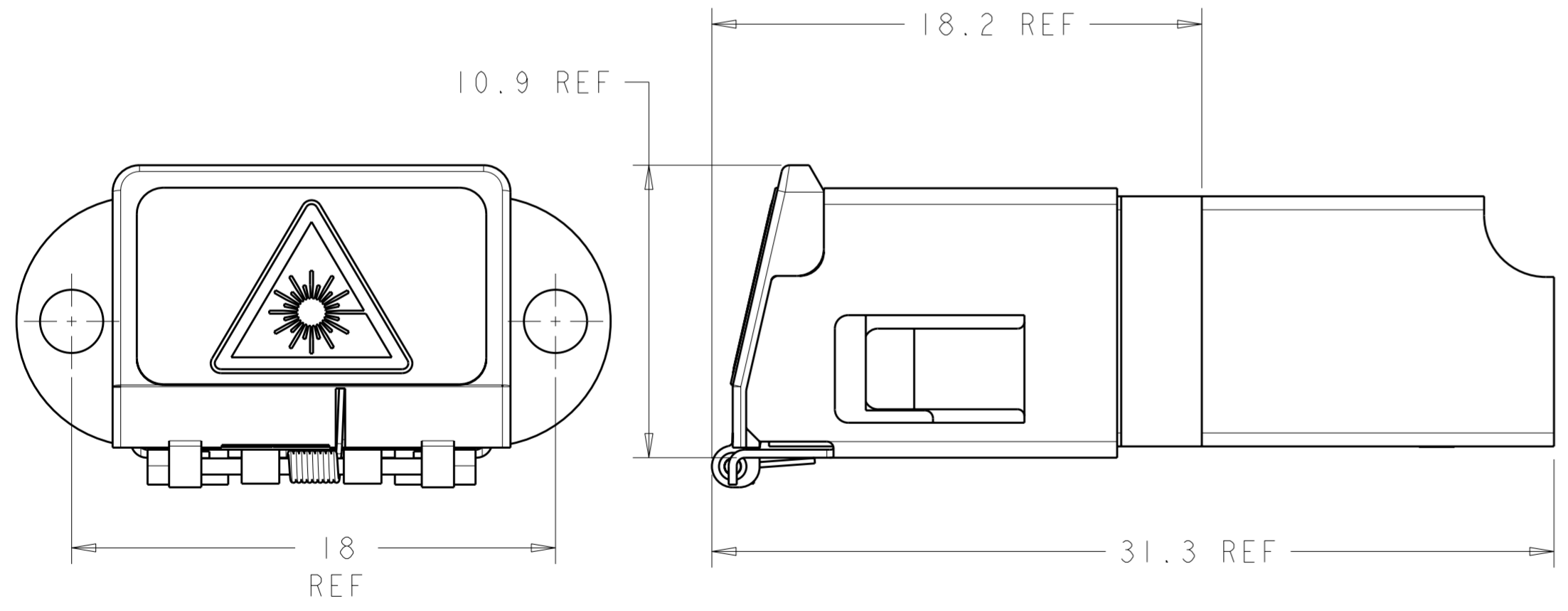


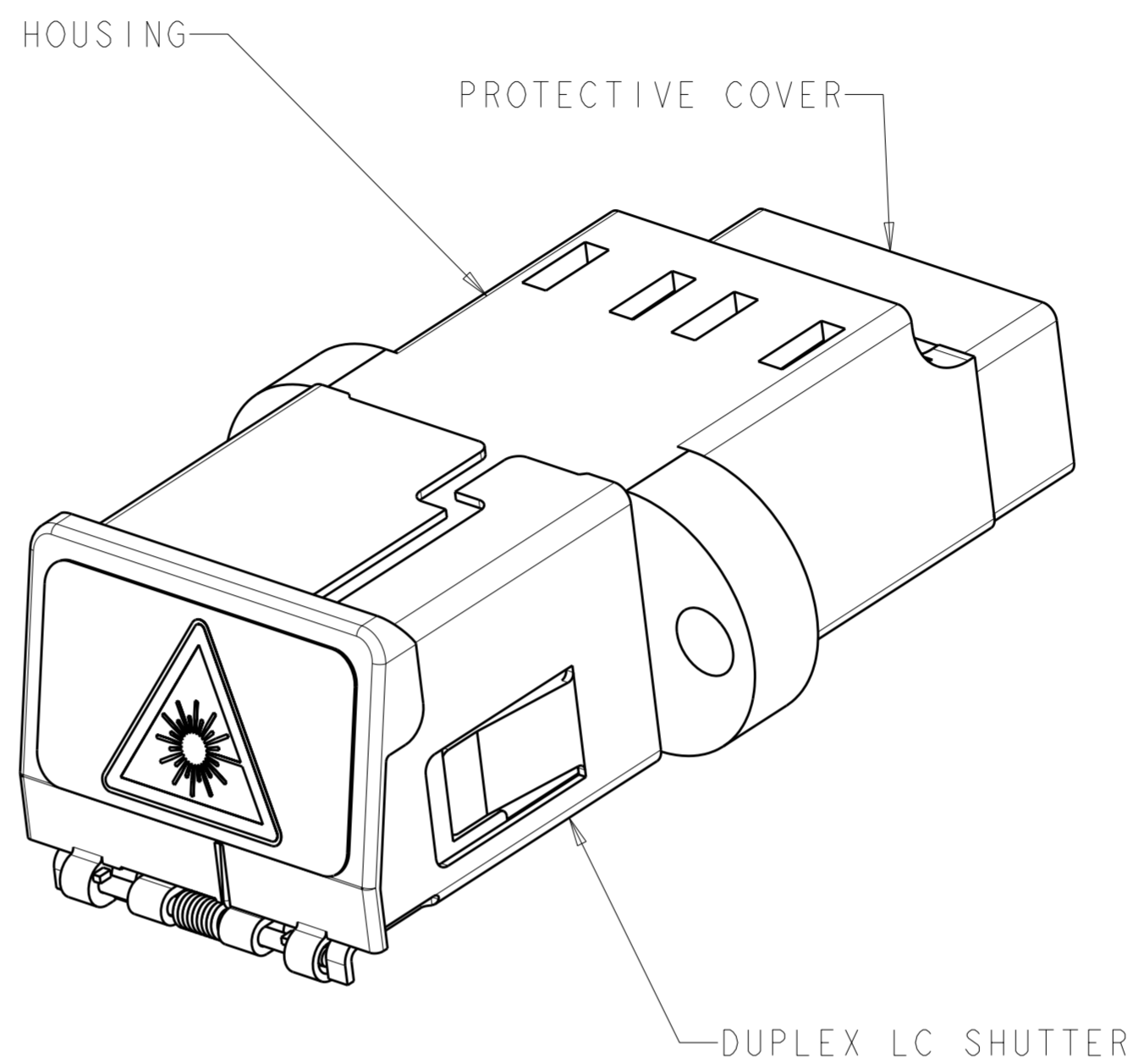
LOC	DIST	REVISIONS				
P	LTR	DESCRIPTION	DATE	DWN	APVD	
CE	00	A	ECR-09-013584	23JUN2009	BB SM	



RECOMMENDED PANEL CUTOUT
 MAX. PANEL THICKNESS 1.7



MATERIAL:
 ADAPTER HOUSING: THERMOPLASTIC, COLOR: SEE TABLE*
 PROTECTIVE COVER: TPE, COLOR: BLACK*
 ALIGNMENT SLEEVES: CERAMIC
 SHUTTER HOUSING, SPRING, AND SHAFT: STAINLESS STEEL
 SHUTTER DOOR: POLYCARBONATE, COLOR: BLACK*
 LABEL: PET FILM, COLOR: SEE TABLE
 *UL 94 V-0 RATED AT QUALIFYING THICKNESS



ADAPTER COLOR	SHUTTER LABEL COLOR	PART NUMBER
BLACK	BEIGE	1-2064658-7
AQUA	AQUA	1-2064658-6
GREEN	GREEN	2064658-6
BEIGE	BEIGE	2064658-5
BLUE	BLUE	2064658-4

DIMENSIONS: mm 		TOLERANCES UNLESS OTHERWISE SPECIFIED: 0 PLC ± 1 PLC ± 2 PLC ± 3 PLC ± 4 PLC ± ANGLES ± FINISH -		DWN B. BRIGGS 21OCT2008 CHK S. MILLER 21OCT2008 APVD 21OCT2008		Tyco Electronics Harrisburg, PA 17105-3608	
MATERIAL 		PRODUCT SPEC APPLICATION SPEC WEIGHT CUSTOMER DRAWING		NAME SHUTTER ADAPTER, LC DUPLEX, FLANGED, SR-SR		SIZE CAGE CODE DRAWING NO RESTRICTED TO A200779 C=2064658	
				SCALE 5:1		SHEET 1 OF 1 REV A	

单击下面可查看定价，库存，交付和生命周期等信息

[>>TE Connectivity\(泰科\)](#)