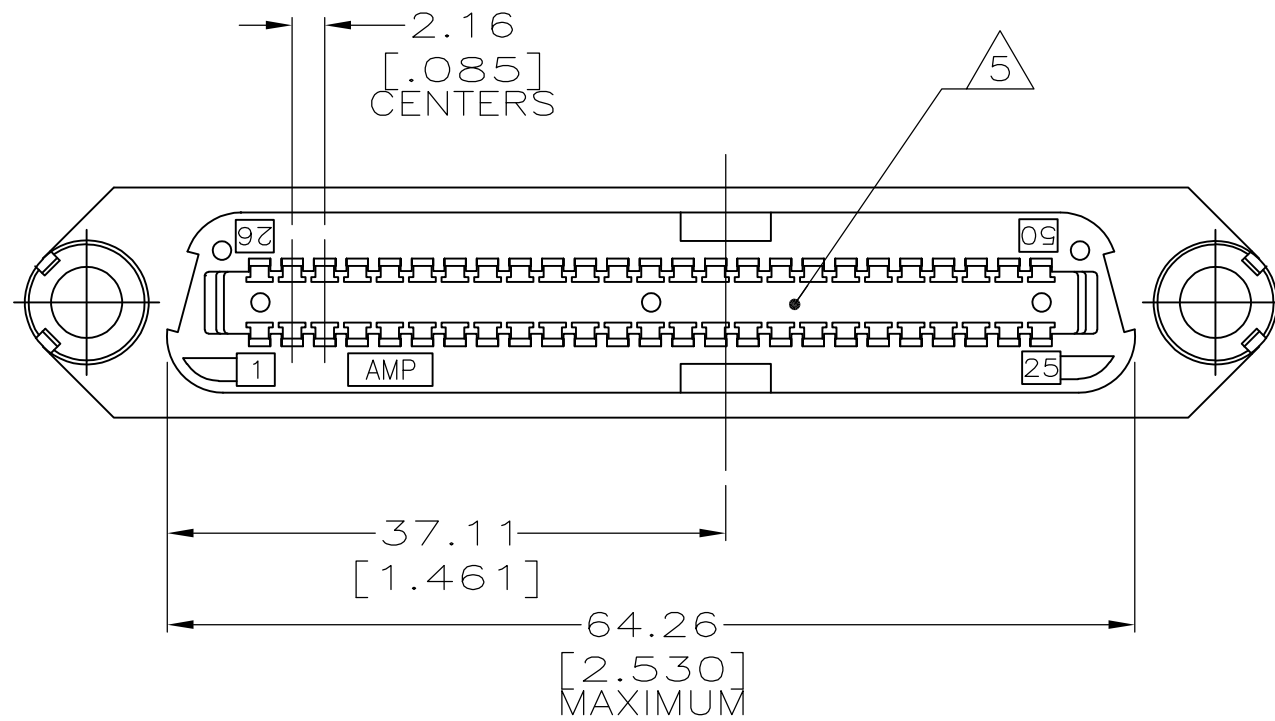
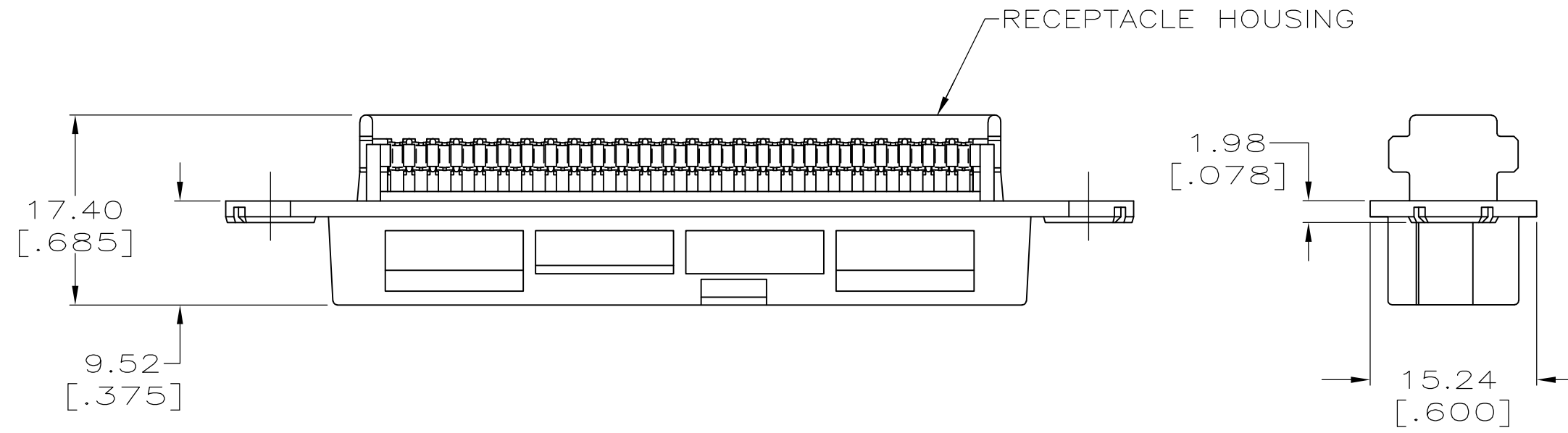
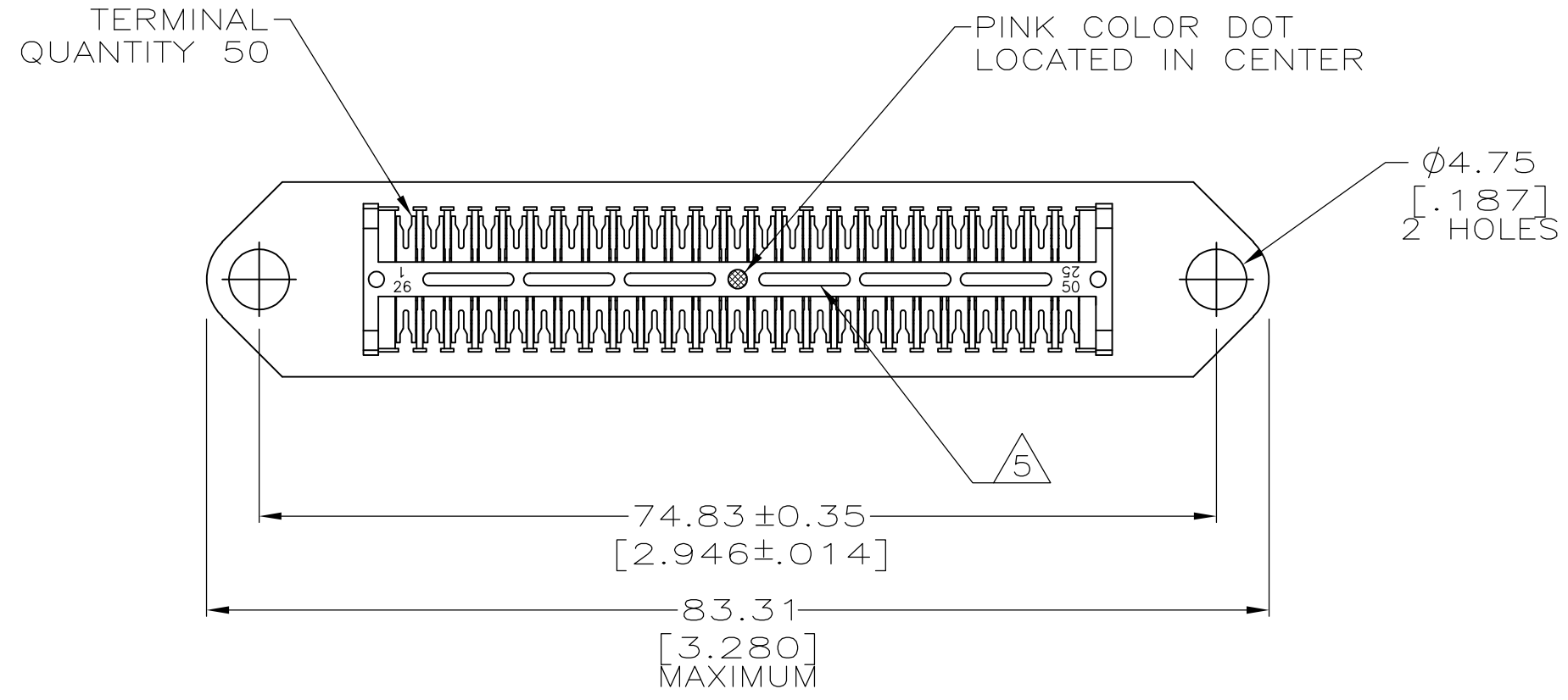


THIS DRAWING IS UNPUBLISHED. RELEASED FOR PUBLICATION
 © COPYRIGHT BY TYCO ELECTRONICS CORPORATION. ALL RIGHTS RESERVED.

LOC	DIST	REVISIONS			
P	LTR	DESCRIPTION	DATE	DWN	APVD
GP	00	F	REVISED PER ECO-08-007327	26JAN2009	ZMR WLM



1. THE CONTACT SURFACES OF THE TERMINALS ARE COATED WITH LUBRICANT.
2. ALL DIMENSIONS SHOWN ARE FOR REFERENCE ONLY UNLESS OTHERWISE SPECIFIED.
3. MATERIAL:
 HOUSING - POLYPHENYLENE OXIDE.
 TERMINALS - HIGH STRENGTH COPPER ALLOY PLATED WITH EITHER 0.76µm [.000030] MIN GOLD OR GOLD FLASH OVER PALLADIUM NICKEL 0.76µm [.000030] MIN TOTAL, ON CONTACT MATING SURFACE.
 1.27µm [.000050] MIN NICKEL UNDERPLATE OVER ENTIRE TERMINAL.
4. WIRE SIZE: TWO 24 AWG SOLID COPPER CONDUCTORS. MAX INSULATION $\phi .86$ [.034] IS ACCEPTABLE FOR MOST APPLICATIONS.
5. CORING MAY OR MAY NOT APPEAR AND IS AT THE DISCRETION OF TYCO ENGINEERING.

COLOR	DESCRIPTION	PART NUMBER
BLACK	THIN FLANGE	552827-2
GRAY	THIN FLANGE	552827-1

THIS DRAWING IS A CONTROLLED DOCUMENT.

DWN	DL DRUMMOND	01JUN01
CHK	DL DRUMMOND	01JUN01
APVD	EW BEILES	01JUN01

NAME: RECEPTACLE ASSEMBLY, 50 POSITION, J-SLOT, WITH .187 DIAMETER HOLES, MULTI-WIRE, THIN FLANGE, CHAMP-LOK

SIZE: A2 CAGE CODE: 00779 DRAWING NO: C=552827

SCALE: 2:1 SHEET: 1 of 1 REV: F

CUSTOMER DRAWING

单击下面可查看定价，库存，交付和生命周期等信息

[>>TE Connectivity\(泰科\)](#)