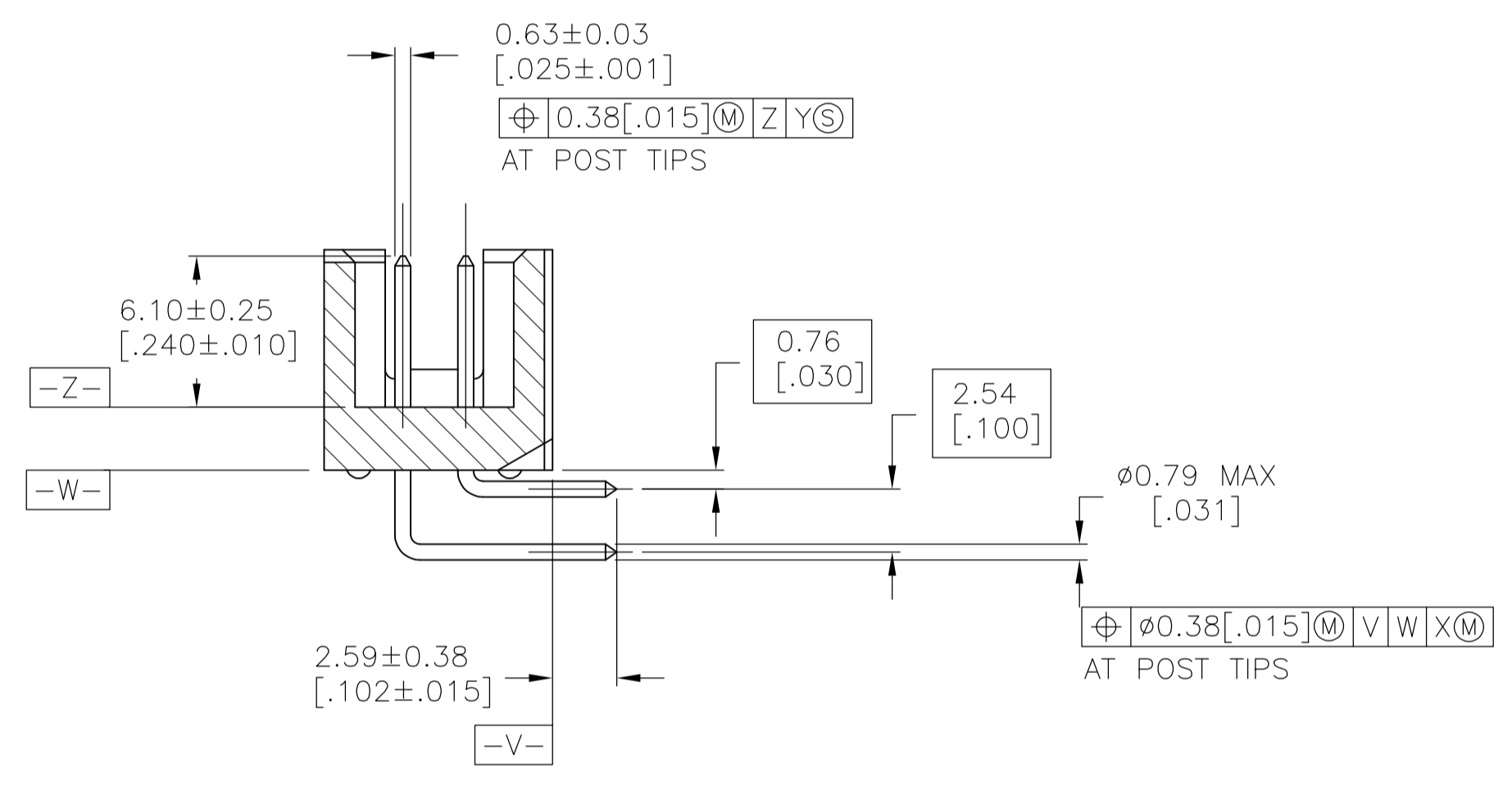
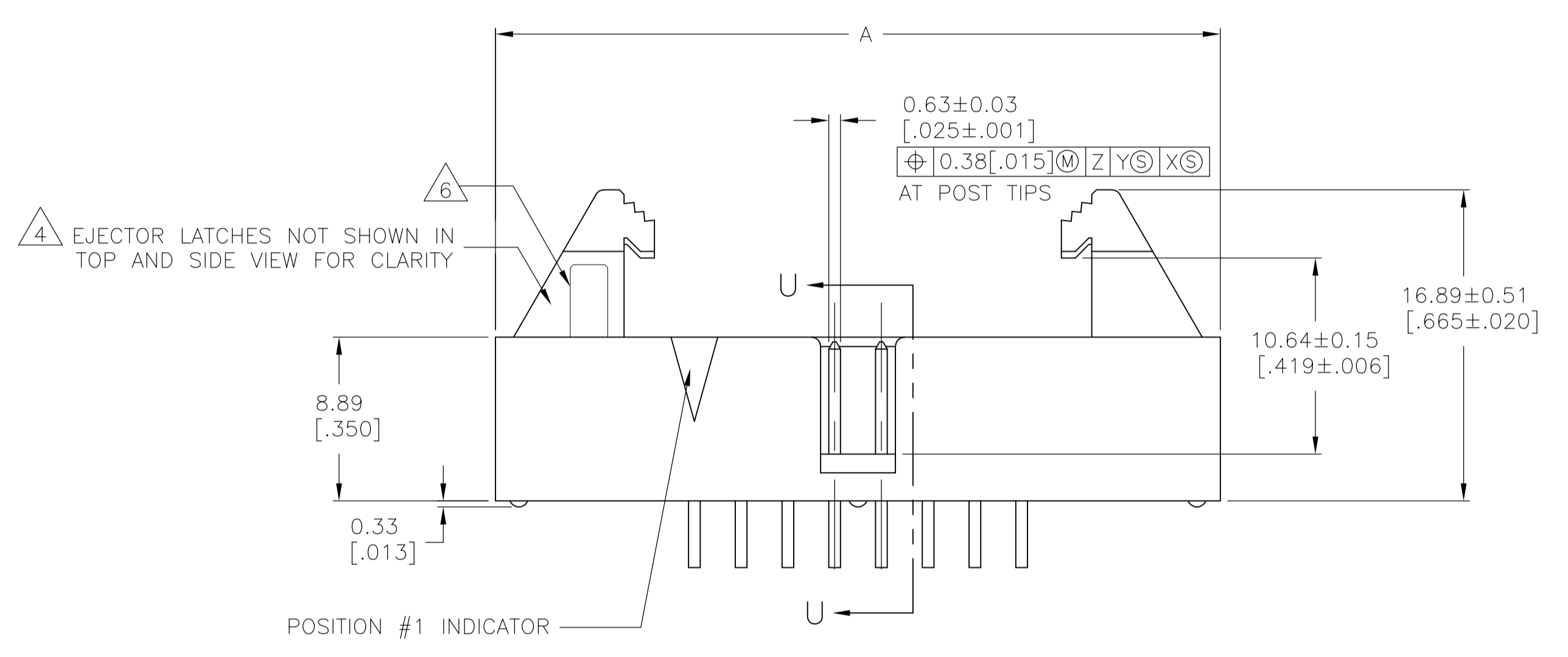
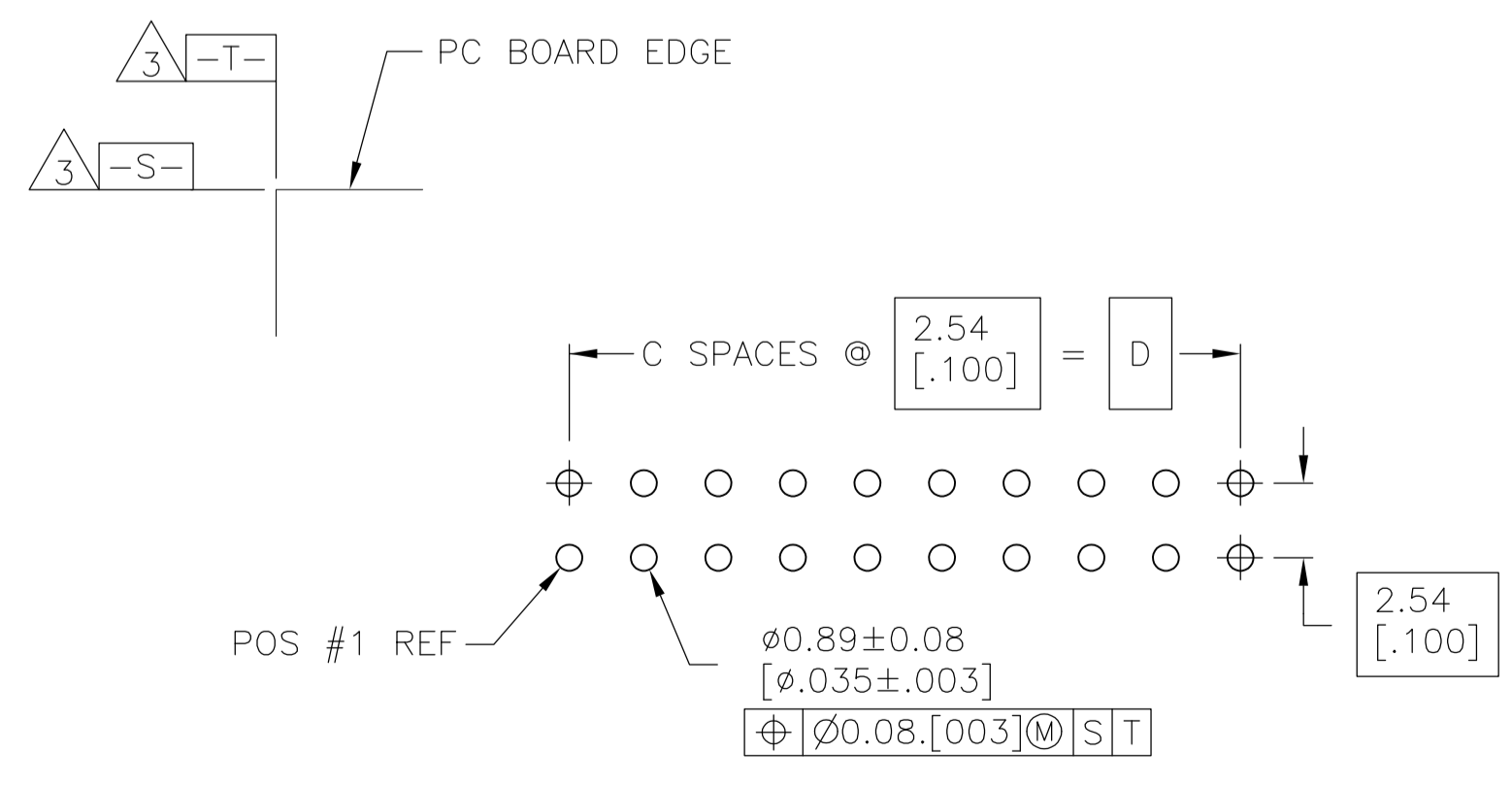


- 1 HOUSING & EJECT LATCHES: PBT, UL94V-0, COLOR BLUE. POSTS: PHOSPHOR BRONZE.
- 2 POSTS: 0.00076[.000030] MIN GOLD ON MATING AREA, 0.00254[.000100] MIN TIN ON SOLDER END, ALL OVER 0.00127[.000050] MIN NICKEL ON ENTIRE POST.
- 3 DATUMS S & T TO BE ESTABLISHED BY CUSTOMER.
- 4 SHORT EJECT LATCHES FOR MATING IDC/AMP-LATCH STYLE RECEPTACLES WITHOUT A STRAIN RELIEF
- 5 OBSOLETE PARTS: OBSOLETE CIS STREAMLINING PER D.RENAUD/D.SINISI
- 6 MANUFACTURER'S LOGO TO BE LOCATED IN APPROXIMATE AREA SHOWN.



SECTION U-U



RECOMMENDED PC BOARD LAYOUT
(VIEWED FROM CONNECTOR SIDE)

	D	C	B	A	NO OF POS	PART NUMBER
5	OBSOLETE	78.74 [3.100]	31	86.36 [3.400]	100.33 [3.950]	64 1-1761689-7
	OBSOLETE	73.66 [2.900]	29	81.28 [3.200]	95.25 [3.750]	60 1-1761689-6
	OBSOLETE	60.96 [2.400]	24	68.58 [2.700]	82.55 [3.250]	50 1-1761689-5
5	OBSOLETE	48.26 [1.900]	19	55.88 [2.200]	69.85 [2.750]	40 1-1761689-3
	OBSOLETE	40.64 [1.600]	16	48.26 [1.900]	62.23 [2.450]	34 1-1761689-1
		35.56 [1.400]	14	43.18 [1.700]	57.15 [2.250]	30 1-1761689-0
	5	30.48 [1.200]	12	38.10 [1.500]	52.07 [2.050]	26 1-1761689-9
	OBSOLETE	27.94 [1.100]	11	35.56 [1.400]	49.53 [1.950]	24 1-1761689-8
		22.86 [.900]	9	30.48 [1.200]	44.45 [1.750]	20 1-1761689-7
	OBSOLETE	17.78 [0.700]	7	25.40 [1.000]	39.37 [1.550]	16 1761689-6
5	OBSOLETE	15.24 [0.600]	6	22.86 [0.900]	36.83 [1.450]	14 1-1761689-5
		12.70 [0.500]	5	20.32 [0.800]	34.29 [1.350]	12 1761689-4
5	OBSOLETE	10.16 [0.400]	4	17.78 [0.700]	31.75 [1.250]	10 1-1761689-3

THIS DRAWING IS A CONTROLLED DOCUMENT.

DIMENSIONS: mm [INCHES]	TOLERANCES UNLESS OTHERWISE SPECIFIED:	0 PLC ± -	1 PLC ± -	2 PLC ± -	3 PLC ± 0.13[.005]	4 PLC ± -	ANGLES ± -
-------------------------	--	-----------	-----------	-----------	--------------------	-----------	------------

MATERIAL	FINISH	WEIGHT	SIZE	CAGE CODE	DRAWING NO	RESTRICTED TO
1	2	-	A1	00779	1761689	-

CUSTOMER DRAWING SCALE 4:1 SHEET 1 OF 1 REV B

单击下面可查看定价，库存，交付和生命周期等信息

[>>TE Connectivity\(泰科\)](#)