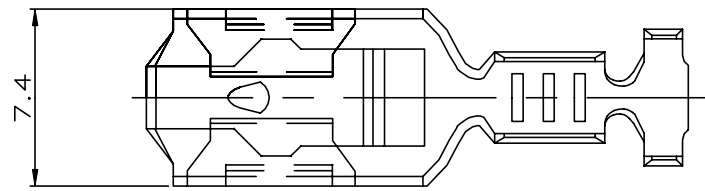
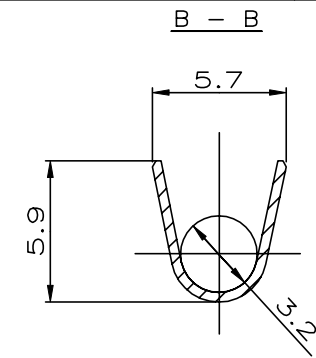
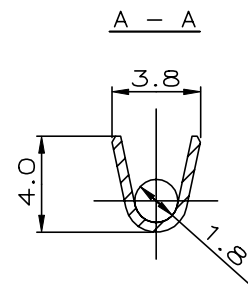
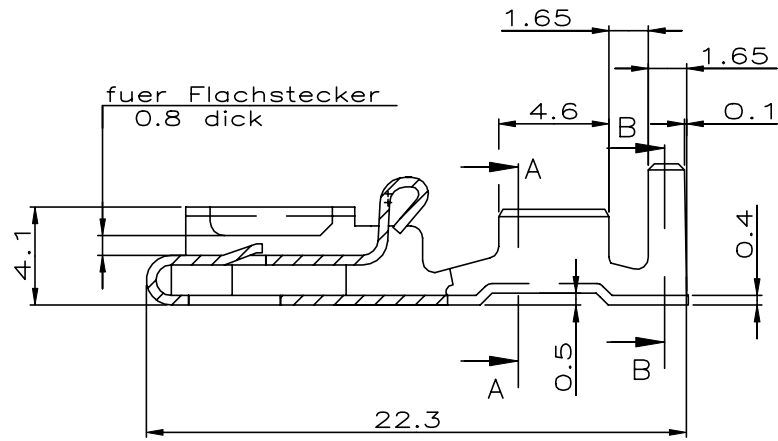


THIS DRAWING IS UNPUBLISHED.  
 VERTRAULICHE UNVERÖFFENTLICHTE ZEICHNUNG  
 RELEASED FOR PUBLICATION  
 FREI FUER VERÖFFENTLICHUNG  
 © COPYRIGHT - TE Connectivity Ltd.  
 ALL RIGHTS RESERVED.  
 ALLE RECHTE VORBEHALTEN

REVISIONS ÄNDERUNGEN					
P	LTR	DESCRIPTION BESCHREIBUNG	DATE	DWN	APVD
	C2	ECR-15-008926	28MAY2019	KY	TD
	C3	REVISED PER ECR-20-007988	16JUNE2020	MK	EW



REMARKS  
Bemerkungen

- 1 Leiter/WIRE:FLK
- 2 Leiter/WIRE:F-CRIMP
- 3 Isolation/INS.:F-CRIMP
- 4 DGB/WIRE SIZE: >1...2.5mm<sup>2</sup>
- 5 ALL PARTS SPLICEFREE
- 6 OBSOLETE
- 7 PRELIMINARY: C27400 AS ALTERNATIVE MATERIAL FOR 927881-1
- 8 ALLOWED ONLY WELDED SPLICES

6	versilbert SILVER PLATE	CuZn30	927882-9	927881-9	C
6	versilbert SILVER PLATE	CuSn4	927882-8	927881-8	C
6	vorverzinkt PRE TIN	CuSn4	927882-7	927881-7	C
6	verzinkt ELECTROTIN	CuZn30	927882-6	927881-6	C
6	blank PLAIN	CuSn6	927882-5	927881-5	C
6	verzinkt ELECTROTIN	CuSn4	927882-4	927881-4	C
6	verzinkt ELECTROTIN	CuZn30	927882-3	927881-3	C
6	blank PLAIN	CuSn4	927882-2	927881-2	C
6	blank PLAIN	CuZn30	927882-1	927881-1	C
8	Oberflaeche SURFACE	MATERIAL	LOOSE PIECE PART NO	TE PART NO	REV.

Leitungsquerschnitt in mm<sup>2</sup>  
CROSS-SECTION IN mm<sup>2</sup>

Einzel-anschluss SINGLE CONNECTION	0.5	0.75	1.0	1.5	2.0	2.5	3.0	4.0	5.0
0.5		X	X	X					
0.75		X	X	X	X				
1.0		X	X	X	X				
1.5	X	X	X	X					
2.0									
2.5	X								
3.0									

THIS DRAWING IS A CONTROLLED DOCUMENT.  
 DIESE ZEICHNUNG IST EIN KONTROLLIERTES DOKUMENT.

DIMENSIONS: MASSENHETEN: mm	TOLERANCES UNLESS OTHERWISE SPECIFIED: ALLGEMEINTOLERANZEN	DWN: 18.9.84 Widder	CHK: 08.10.84 Herth	TE Connectivity	
MATERIAL	FINISH/OBERFLAECHE/FARBE	PRODUCT SPEC: 114-18365	APPLICATION SPEC: 114-18365	Positive Lock - Steckhuelse	
		WEIGHT: 0.000000	RESTRICTED CUSTOMER/UNGENZEICHNUNG	SIZE: A3	CAGE CODE: 00779
		DRAWING NO: 927881		RESTRICTED TO NUR FUER	
		SCALE: 5:1	SHEET: 1	REV: 1	REV: C3

单击下面可查看定价，库存，交付和生命周期等信息

[>>TE Connectivity\(泰科\)](#)