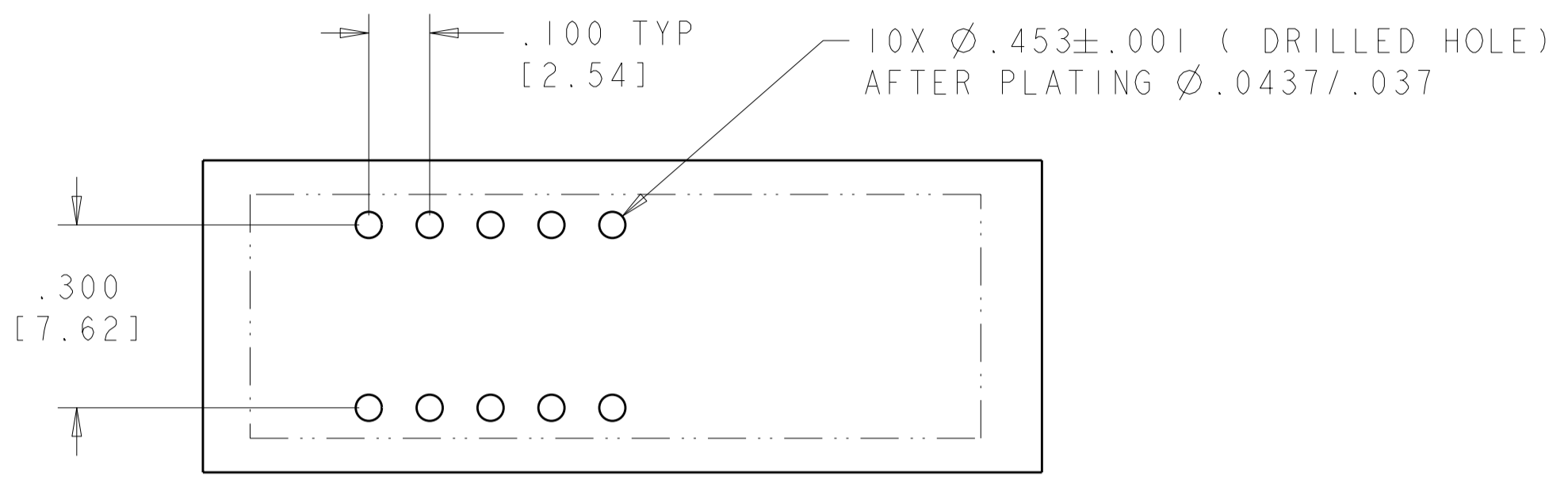
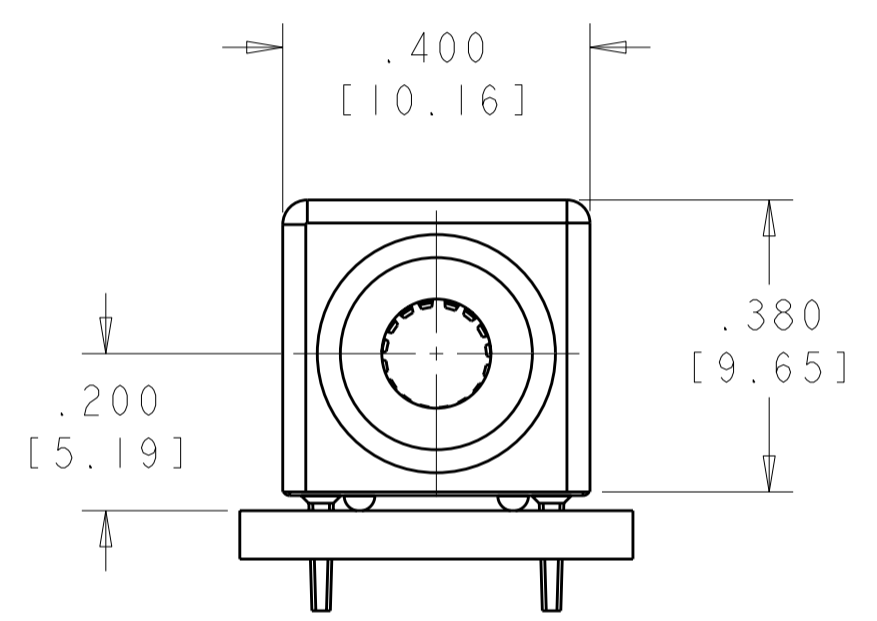


THIS DRAWING IS UNPUBLISHED. RELEASED FOR PUBLICATION 20
 © COPYRIGHT 20 BY TYCO ELECTRONICS CORPORATION. ALL RIGHTS RESERVED.

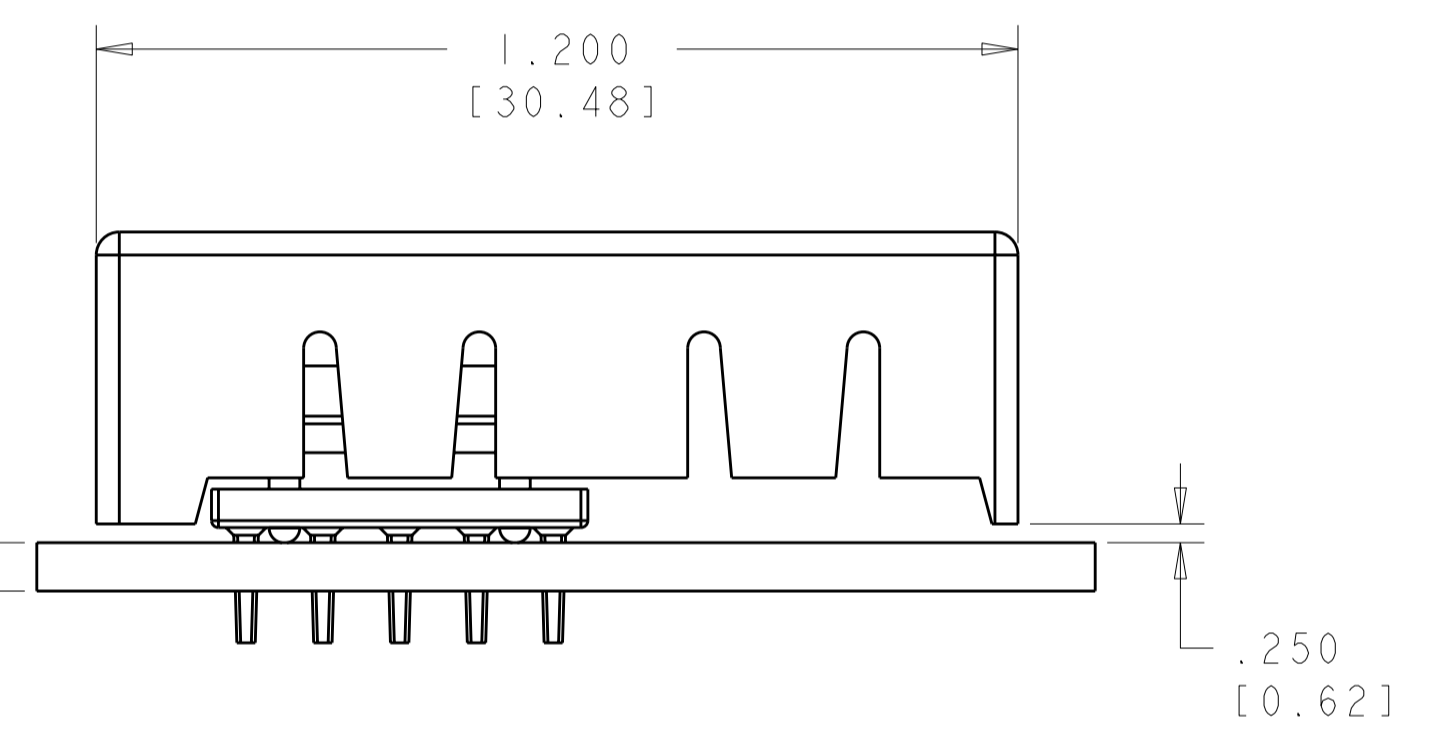
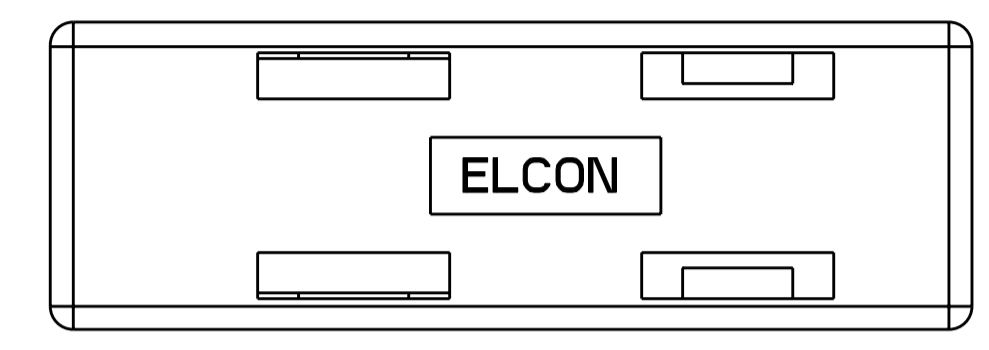
LOC	DIST	REVISIONS			
P	LTR	DESCRIPTION	DATE	DWN	APVD
GP	00	A	RELEASED	21APR2008	RG PD



RECOMMENDED FOOTPRINT



.093 [2.36]
 .062 [1.60]



- PART NUMBER CHANGES AND/OR DESIGN CHANGES AFFECTING ITEM INTERCHANGEABILITY REQUIRE PRIOR TYCO ELECTRONICS APPROVAL AND AUTHORIZATION BY REVISION TO THIS DRAWING.
- ITEMS PROVIDED TO THIS SPECIFICATION SHALL BE IDENTIFICATION ON THE CONTAINER WITH THE FOLLOWING INFORMATION:
 PART NUMBER AND DATE CODE OF MANUFACTURING

3 MATERIAL:
 INSULATOR: POLYESTER, GLASS FILLED, COLOR: BLACK
 94V-0 RATED
 SOCKET BODY: ZINC METAL CASTING
 CROWN BAND: BERYLLIUM COPPER

4 FINISH:
 CROWN BAND: GOLD PLATE .000030 MIN THK. OVER
 NICKEL .000050 MIN THK.
 SOCKET BODY: SILVER PLATE .00200 MIN THK. OVER
 NICKEL .000040 MIN THK.

AS SHOWN	1926794-1
DESCRIPTION	PART NO.

THIS DRAWING IS A CONTROLLED DOCUMENT FOR TYCO ELECTRONICS CORPORATION. IT IS SUBJECT TO CHANGE AND THE CONTROLLING ENGINEERING ORGANIZATION SHOULD BE CONTACTED FOR THE LATEST REVISION.		DWN R. GRZYBOWSKI 14MAR2008	Tyco Electronics Harrisburg, PA 17105-3608	
DIMENSIONS: INCHES		CHK D. ORRIS 14MAR2008	NAME SOCKET, PARALLEL SIZE No. 8, SOLDER TAILS DOUBLE ICCON	
TOLERANCES UNLESS OTHERWISE SPECIFIED: 0 PLC ± 1 PLC ± 2 PLC ± 3 PLC ±.020 4 PLC ± ANGLES ±5 FINISH		APVD S. FLICKINGER 14MAR2008	SIZE A200779	DRAWING NO. 1926794
MATERIAL 3	FINISH 4	PRODUCT SPEC - APPLICATION SPEC - WEIGHT -	RESTRICTED TO -	SCALE 4:1 SHEET 1 OF 1 REV A
CUSTOMER DRAWING				

单击下面可查看定价，库存，交付和生命周期等信息

[>>TE Connectivity\(泰科\)](#)