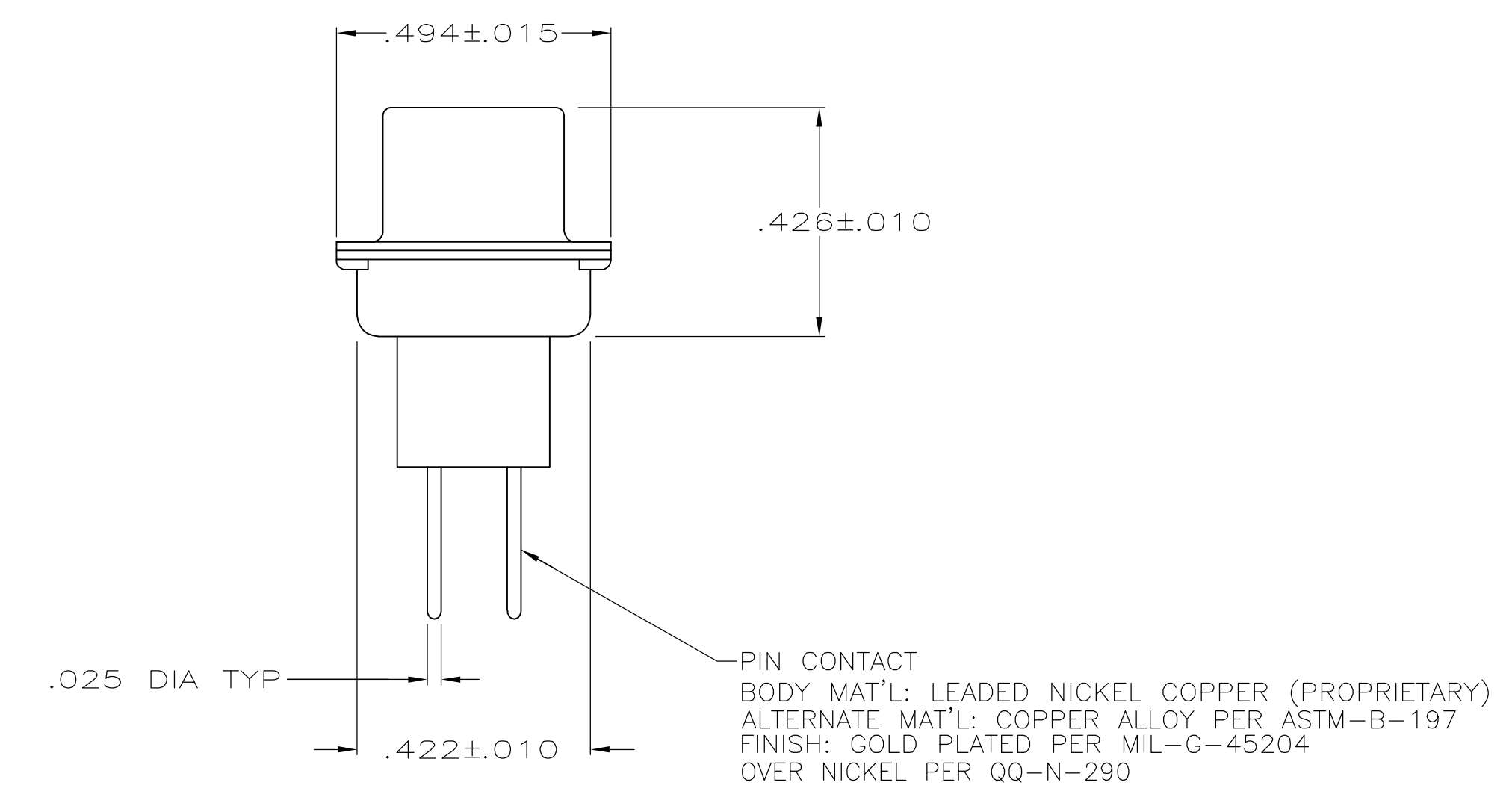
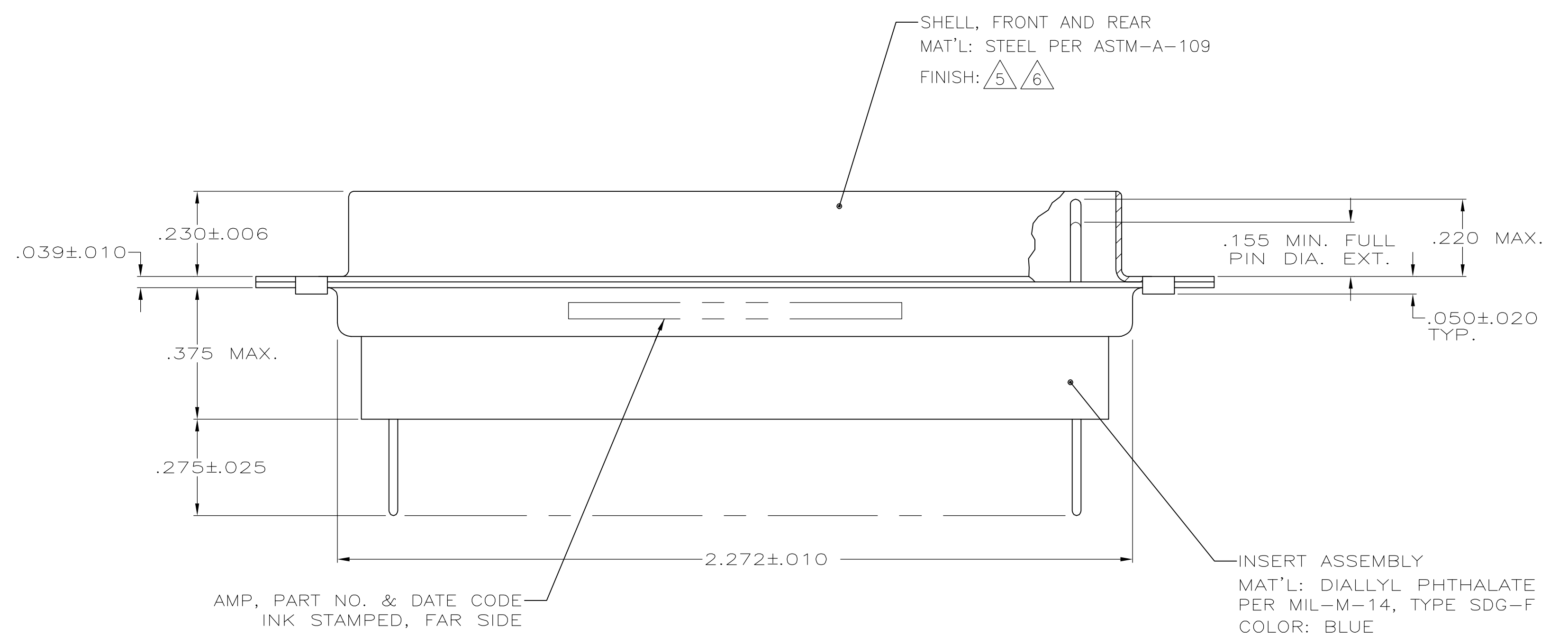


RECOMMENDED P.C. BOARD LAYOUT



- .040 DIA HOLE IS RECOMMENDED FOR P.C. BOARD
- CONNECTOR MATES WITH ANY AMP 62 POSN RECEPTACLE
- REPLACEMENT CONTACT AMP# 207683-8
- UL/CSA DESIGNATION STAMPED IN THIS AREA.
- FINISH: CADMIUM PER QQ-P-416
- FINISH: ZINC PLATED PER ASTM-B-633, .000200-.000400 THK WITH SUPPLEMENTARY CHROMATE (Cr3+)

PLATED PER 6	5-208869-1
PLATED PER 5	208869-1
DESCRIPTION	PART NO.

THIS DRAWING IS A CONTROLLED DOCUMENT.		DWN: C.C. THOMAS 1-9-88	 Tyco Electronics Corporation Harrisburg, Pa 17105-3608
DIMENSIONS: INCHES		CHK: F.C. BALLEW III 1-25-88	
DIMENSIONS: INCHES 0 PLC ± - 1 PLC ± - 2 PLC ± - 3 PLC ± .005 4 PLC ± - ANGLES ± -		APVD: -	PRODUCT SPEC APPLICATION SPEC SIZE: A1 CAGE CODE: 00779 DRAWING NO: 208869
MATERIAL: SEE CALLOUTS		FINISH: SEE CALLOUTS	AMPLITE 62 POSN. PLUG ASSY., W/ LOADED POSTED CONTACTS, SIZE 4, SERIES 90 RESTRICTED TO: - SCALE: 4:1 SHEET 1 OF 1 REV H

单击下面可查看定价，库存，交付和生命周期等信息

[>>TE Connectivity\(泰科\)](#)