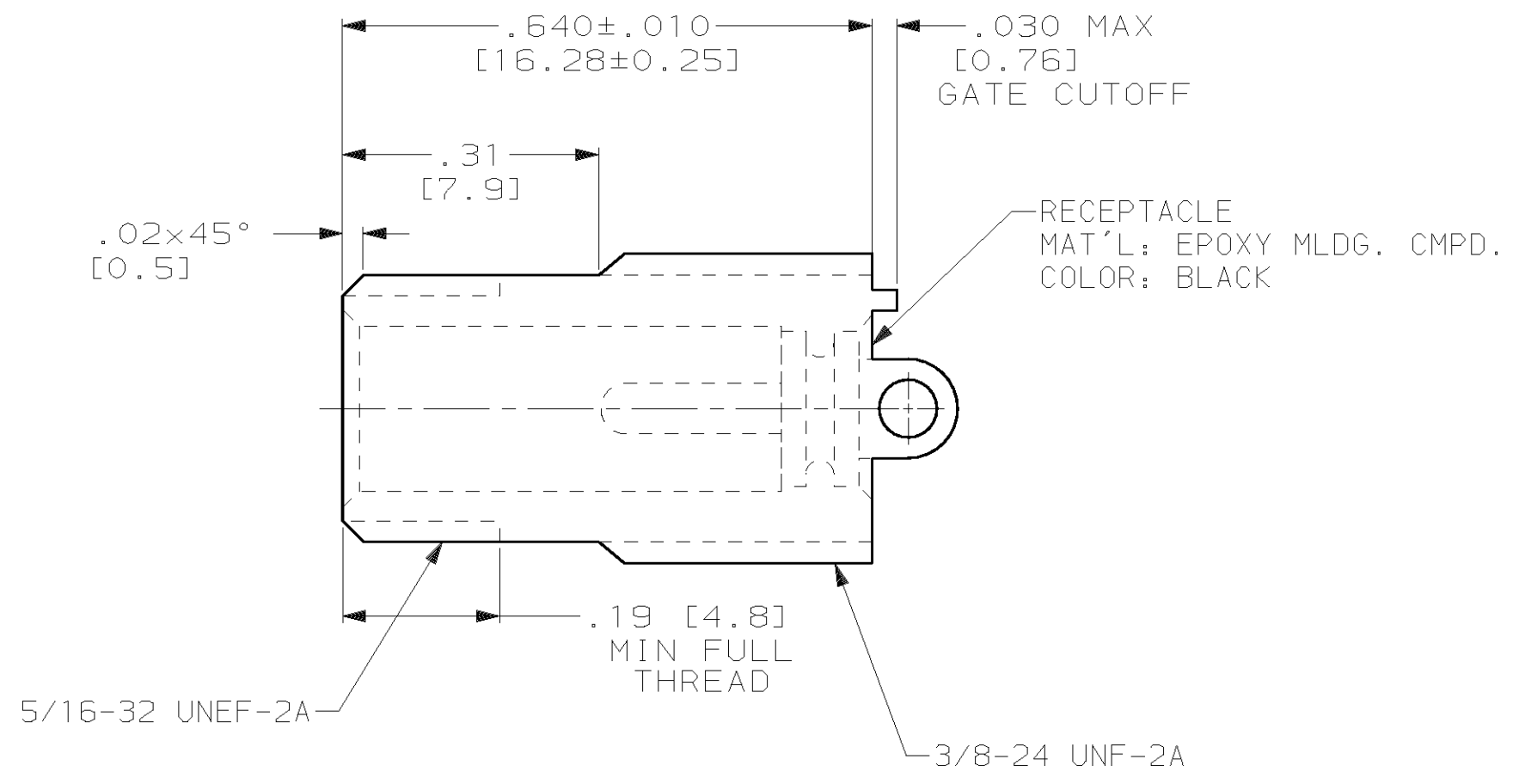
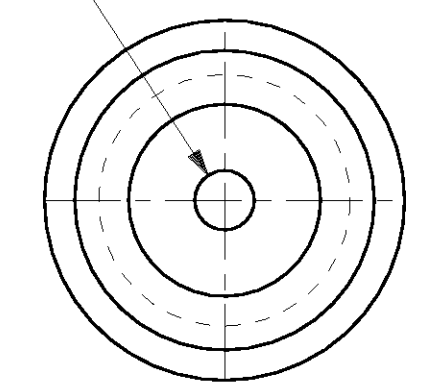


THIS DRAWING IS UNPUBLISHED. RELEASED FOR PUBLICATION, 19 .
 © COPYRIGHT 19 BY AMP INCORPORATED. ALL INTERNATIONAL RIGHTS RESERVED.

PROD CODE	LOC	DIST	P	F	ZONE	LTR	DESCRIPTION	DATE	APPD
4087	DF	50				0	RELEASED PER NPR 92-176 CT	7-92	SG
						A	REV PER 0600-7334-98 TT	070CT98	DE
			✓	✓		B	REV PER 0600-8083-98 JB	03-99	ML

.062 [1.57] DIA PIN
 MAT'L: BRASS PER ASTM-B-16
 FINISH: GOLD PLATED PER MIL-G-45204
 OVER NICKEL PER QQ-N-290



1. RECEPTACLE WILL ACCEPT A LGH-1/2 LEAD WITH A .53 [13.5] MOLDED END LENGTH.

THIS DRAWING IS A CONTROLLED DOCUMENT FOR AMP INCORPORATED. IT IS SUBJECT TO CHANGE AND THE CONTROLLING ENGINEERING ORGANIZATION SHOULD BE CONTACTED FOR THE LATEST REVISION.

DO NOT SCALE PRINT. UNLESS SPECIFIED DIMENSIONS IN INCHES [mm] TOLERANCES ON: 2 PLC DEC ± .01 [0.3] 3 PLC DEC ± .005 [0.13] ANGLES ± -		DR 7-1-92 C.C.THOMAS	AMP Incorporated Harrisburg, PA 17105-3608
MATERIAL SEE CALLOUTS	CHK 7-8-92 S.GLATFELTER	APPD 7-8-92 S.GLATFELTER	
FINISH SEE CALLOUTS	APPD 7-8-92 C.C.THOMAS	PRODUCT SPEC -	NAME RECEPTACLE, LGH-1/2, SPECIAL
	APPLICATION SPEC -	WEIGHT -	SIZE B
			CAGE CODE 00779
			DRAWING NO C-448462
			SCALE 5:1
			SHEET 1 OF 1

448462-1
 PART NO

单击下面可查看定价，库存，交付和生命周期等信息

[>>TE Connectivity\(泰科\)](#)