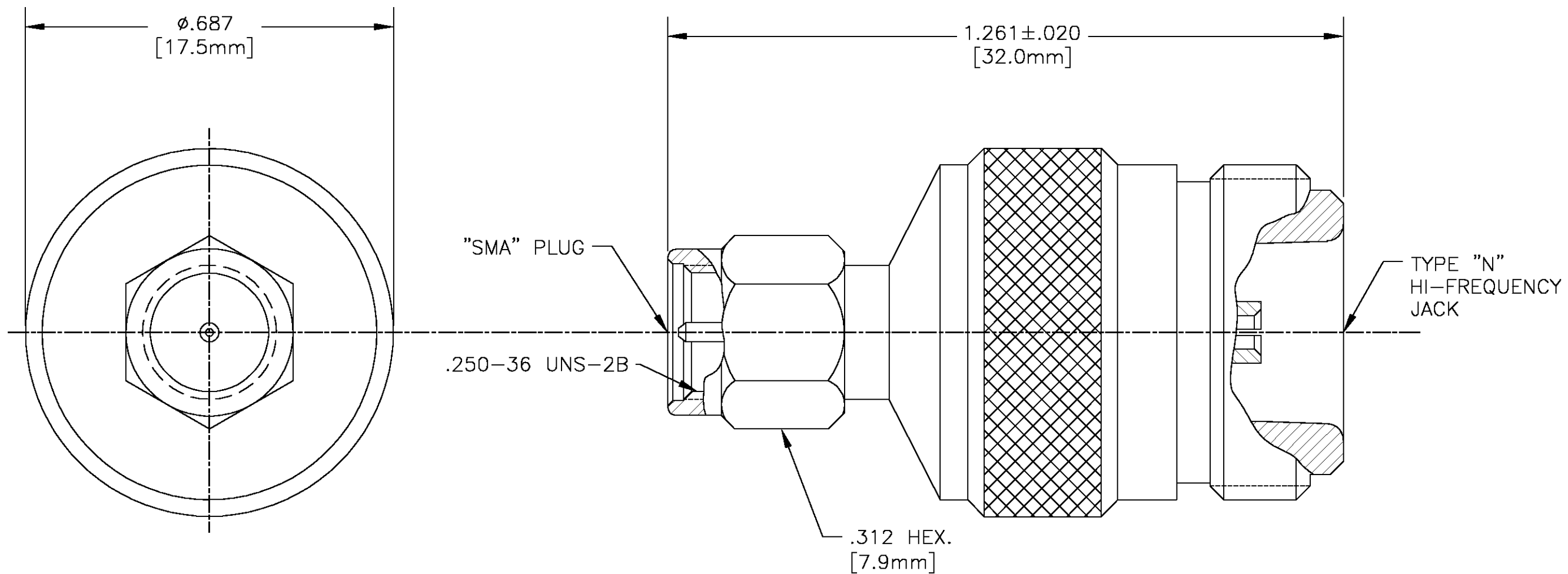


THIS DRAWING IS UNPUBLISHED. RELEASED FOR PUBLICATION
 © COPYRIGHT BY TYCO ELECTRONICS CORPORATION. ALL RIGHTS RESERVED.

LOC	DIST	REVISIONS					
HC	00	P	LTR	DESCRIPTION	DATE	DWN	APVD
			0	RELEASED ON TYCO FORMAT	13MAY03	GV	DC



MATERIAL:

CENTER CONDUCTOR— BERYLLIUM COPPER PER ASTM-B-196, ALLOY C17300, COND H.
 OUTER CONDUCTOR— STAINLESS STEEL PER ASTM-A484 AND ASTM-A582, TYPE 303

DIELECTRIC— PTFE FLOUROCARBON PER ASTM-D-4894

PLATING:

INNER CONDUCTOR— GOLD PER MIL-G-45204
 OUTER CONDUCTOR— PASSIVATED PER QQ-P-35

THIS DRAWING IS A CONTROLLED DOCUMENT.		DWN G. VIERA 12MAY03	tyco Tyco Electronics Corporation Harrisburg, PA 17105-3608													
DIMENSIONS: INCHES		CHK D. CAMELIO 13MAY03	NAME HI-FREQUENCY "N" (18 GHz) JACK TO "SMA" PLUG ADAPTER (3682-2241-00)													
TOLERANCES UNLESS OTHERWISE SPECIFIED:		APVD D. CAMELIO 13MAY03														
<table border="1"> <tr><td>0 PLC</td><td>± -</td></tr> <tr><td>1 PLC</td><td>± -</td></tr> <tr><td>2 PLC</td><td>± -</td></tr> <tr><td>3 PLC</td><td>± .010</td></tr> <tr><td>4 PLC</td><td>± -</td></tr> <tr><td>ANGLES</td><td>± 1'0"</td></tr> </table>		0 PLC	± -	1 PLC	± -	2 PLC	± -	3 PLC	± .010	4 PLC	± -	ANGLES	± 1'0"	PRODUCT SPEC —	RESTRICTED TO —	
0 PLC	± -															
1 PLC	± -															
2 PLC	± -															
3 PLC	± .010															
4 PLC	± -															
ANGLES	± 1'0"															
MATERIAL —		FINISH —	APPLICATION SPEC —	SIZE A3												
		WEIGHT —	CAGE CODE 00779	DRAWING NO 1058664-1												
CUSTOMER DRAWING			SCALE 5:1	SHEET 1 OF 1												
			REV 0													

单击下面可查看定价，库存，交付和生命周期等信息

[>>TE Connectivity\(泰科\)](#)