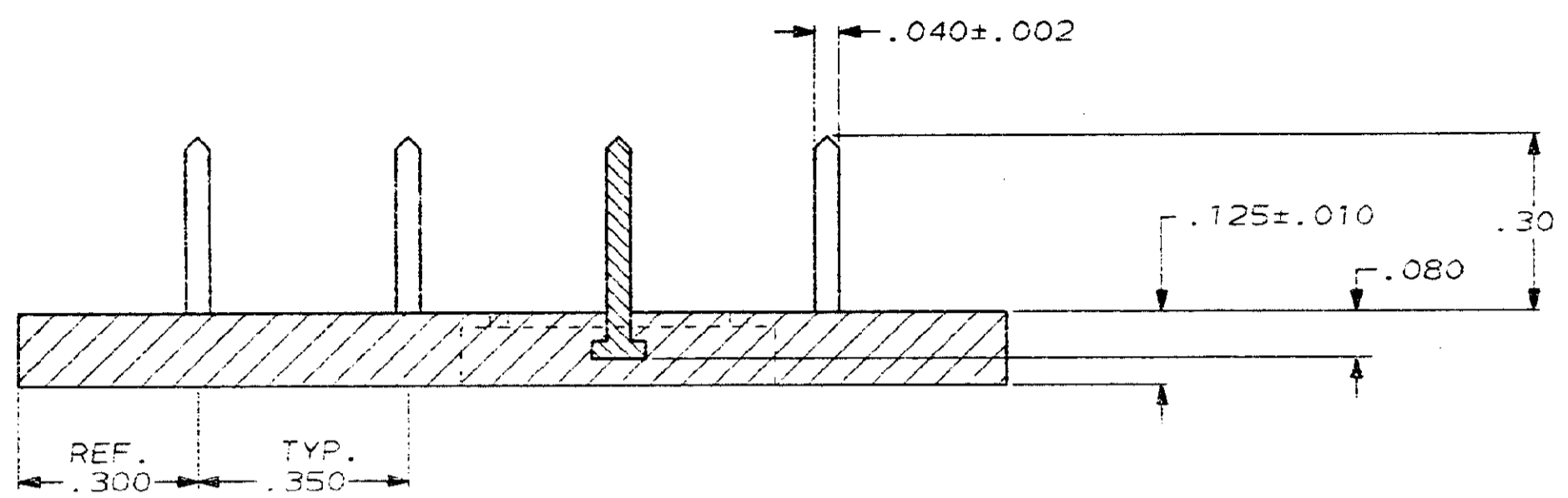


DRAWING MADE IN THIRD ANGLE PROJECTION

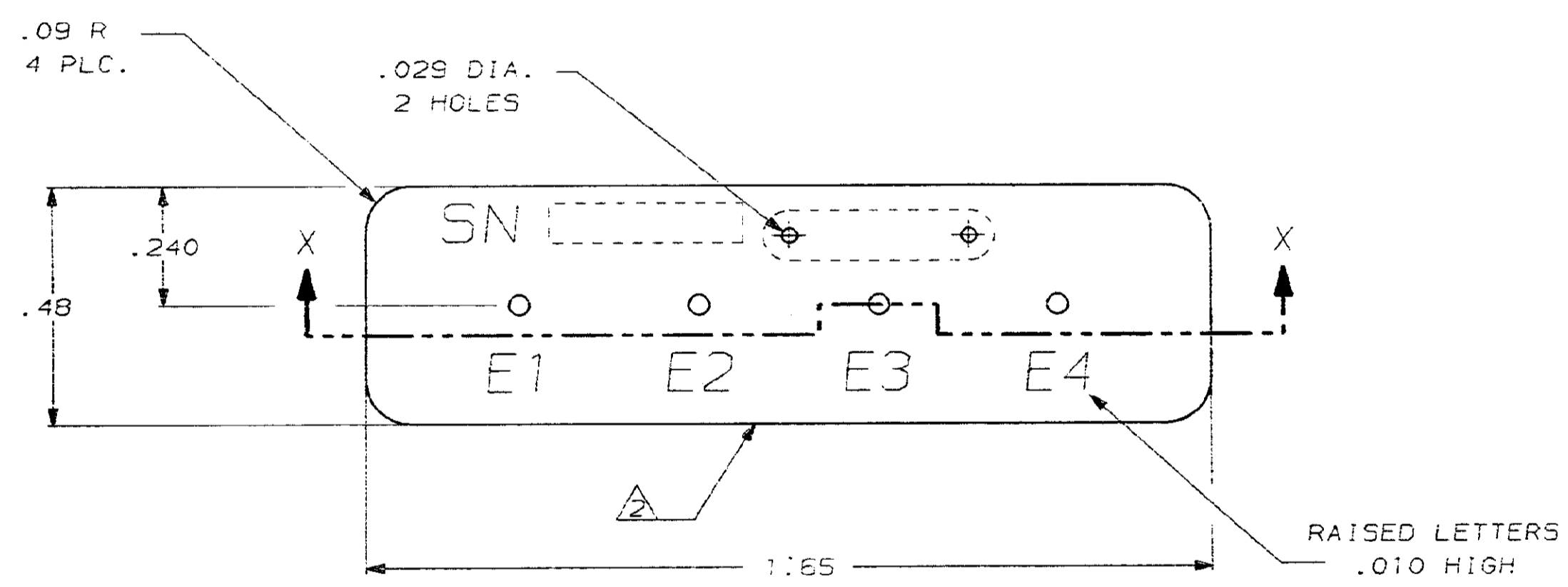
THIS DRAWING IS UNPUBLISHED. RELEASED FOR PUBLICATION .19
 © COPYRIGHT 19 BY AMP INCORPORATED. ALL INTERNATIONAL RIGHTS RESERVED.

LOC		DIST		REVISIONS			
P	F	ZONE	LTR	DESCRIPTION	DATE	APPD	
DF	A1			C	5-29-91	DES	REVISED PER ECN DF-4405
				D	02-18-92	ETG	REV PER ECN DF-5896



SECTION X-X

- ⚠ MATERIAL: GLASS FILLED THERMOPLASTIC VO RATED. COLOR: BLACK, PER MIL-M-24519.
- ⚠ CUSTOMER P/N, "AMP" AND DATE CODE LOCATED IN THIS APPROXIMATE AREA.



DO NOT SCALE PRINT.
 UNLESS SPECIFIED
 DIMENSIONS IN INCHES
 TOLERANCES ON:
 2 PLC DEC ± .01
 3 PLC DEC ± .005
 ANGLES ± 1°

MATERIAL
 ⚠
 FINISH
 -
 WEIGHT
 -

DR 8-4-90
 D. DUDUKOVICH
 CHK 6-3-91
 J. SCHOLZ
 APPD 6-3-91
 J. SCHOLZ
 APPD 6-3-91
 C. NIKOLOFF
 PRODUCT SPEC
 -
 APPLICATION SPEC
 -
 WEIGHT
 -

11750895	447381-1
CUSTOMER PART NO.	PART NO
AMP AMP Incorporated Harrisburg, PA 17105-3508	
NAME FUZE SYSTEM CONNECTOR TERMINAL BOARD ASSY.	
SIZE C	CAGE CODE 00779
DRAWING NO 447381	SHEET 1 OF 1
SCALE 4:1	

单击下面可查看定价，库存，交付和生命周期等信息

[>>TE Connectivity\(泰科\)](#)