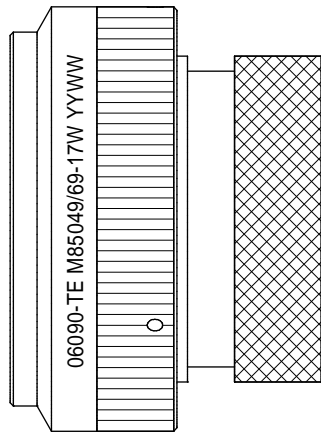

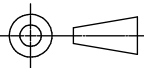


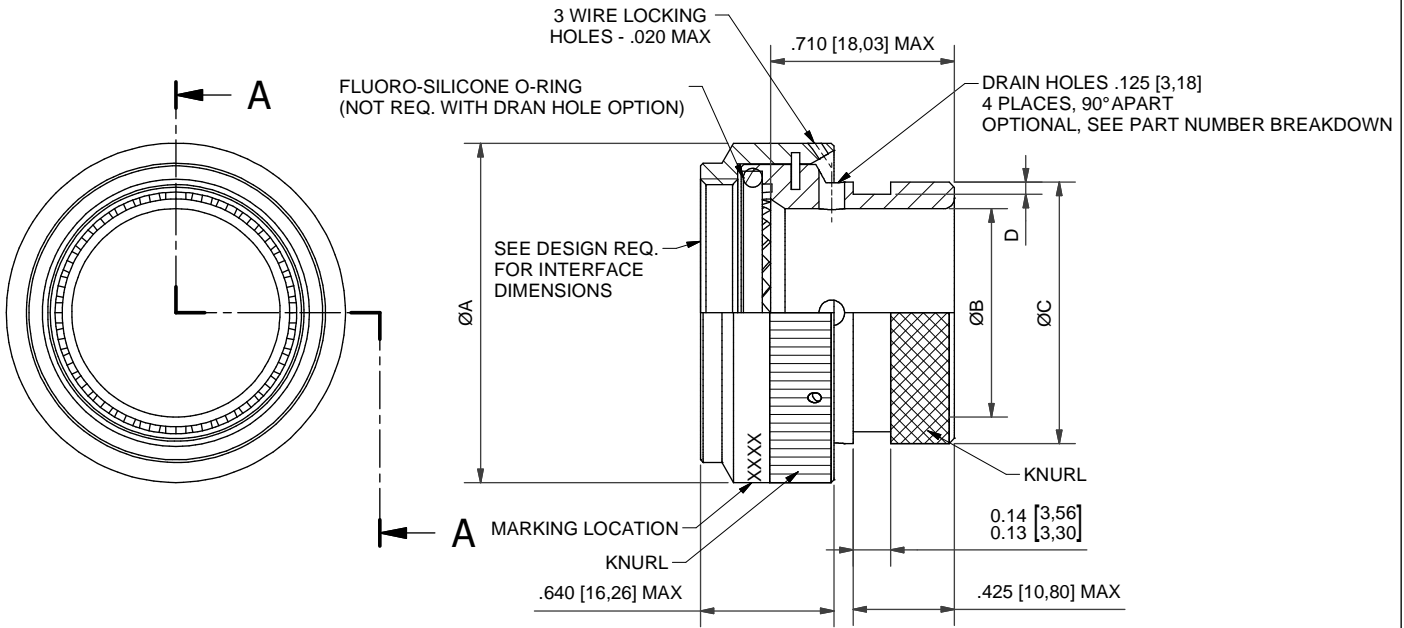
REVISIONS				
REV	DESCRIPTION	DATE	CHANGED BY	APPROVED BY



HEAT SHRINK BOOT BACKSHELL

1. THIS PRODUCT IS DESIGNED TO TERMINATE A HEAT SHRINKABLE LIPPED BOOT TO A CONNECTOR, AND DESIGNED TO MEET PERFORMANCE REQUIREMENT OF AS85049/69.
2. ALL COMPONENTS SHALL BE PACKAGED AND SUPPLIED IN A PLASTIC BAG AND LABELED WITH M85049/69 DESIGNATION. e.g. M85049/69-17A.
3. THIS BACKSHELL MATES TO CONNECTOR MIL-DTL-38999 SERIES III & IV.
4. FOR ALTERNATIVE MATERIALS AND PLATING FINISHES CONTACT TE CONNECTIVITY.

DIMENSIONS INCHES	DWN: DIW	24/05/2018	MATERIAL: -	FINISH: -
	CHK: M. PAUL	25/05/2018	 TE CONNECTIVITY	
TOLERANCES UNLESS OTHERWISE SPECIFIED:	APRD: M. PAUL	25/05/2018		
GENERAL TOL LINEAR +/-0.01" ANGULAR +/- 1°	PRODUCT SPEC:	-	PART NUMBER: R85049/69 SERIES	
	APPLICATION SPEC:	-	NAME: HEAT SHRINK BOOT BACKSHELL WITH WIRE LOCKING, TO SPEC AS85049/69 CAT 5	
	WEIGHT: -	-	SIZE: A4	CAGE CODE: 66666
 Customer Drawing	Downloaded From Oneyac.com		RESTRICTED TO:	SCALE: 2.5 : 1
			SHEET: 1 OF 2	REV: AB



R85049/69-17W

SPECIFICATION SHEET
 SHELL SIZE (TABLE 1)
 FINISH (TABLE 2)
 INSERT D
 FOR DRAIN HOLES OPTION

TABLE 1: METRIC DIMENSIONS [XX,XX] ARE SHOWN FOR REFERENCE ONLY.

SHELL SIZE	ØA MAX	ØB MIN	ØC MAX	D +0.008/-0.000 [+0,20/-0,00]
9	.75 [19,05]	.250 [6,35]	.533 [13,54]	.044 [1,12]
11	.85 [21,59]	.375 [9,53]	.605 [15,37]	.044 [1,12]
13	1.00 [25,40]	.500 [12,70]	.774 [19,66]	.044 [1,12]
15	1.15 [29,21]	.625 [15,88]	.838 [21,29]	.044 [1,12]
17	1.25 [31,75]	.750 [19,05]	.963 [24,46]	.044 [1,12]
19	1.40 [35,56]	.812 [20,62]	1.042 [26,47]	.044 [1,12]
21	1.55 [39,37]	.937 [23,80]	1.217 [30,91]	.069 [1,75]
23	1.65 [41,91]	1.062 [26,97]	1.355 [34,42]	.069 [1,75]
25	1.85 [46,99]	1.188 [30,18]	1.443 [36,65]	.069 [1,75]

TABLE 2

FINISH CODE	DESCRIPTION
N	ELECTROLESS NICKEL (96HRS SALT SPRAY RESISTANCE)
W	CADMIUM OLIVE DRAB OVER ELECTROLESS NICKEL (1000HRS SALT SPRAY RESISTANCE)
Z	ZINC NICKEL BLACK PASSIVATE OVER ELECTROLESS NICKEL (1000HRS SALT SPRAY RESISTANCE)

DIMENSIONS INCHES	DWN: DIW	24/05/2018	MATERIAL: -	FINISH: -
	CHK: M. PAUL	25/05/2018	TE TE CONNECTIVITY	
TOLERANCES UNLESS OTHERWISE SPECIFIED:	APRD: M. PAUL	25/05/2018	PART NUMBER: R85049/69 SERIES	
	PRODUCT SPEC:	-	NAME: HEAT SHRINK BOOT BACKSHELL WITH WIRE LOCKING, TO SPEC AS85049/69 CAT 5	
GENERAL TOL LINEAR +/- 0.01" ANGULAR +/- 1°	APPLICATION SPEC:	-	SIZE: A4	CAGE CODE: 666666
	WEIGHT: -	-	DRAWING NO: P31370	RESTRICTED TO:
	Customer Drawing	Downloaded From Oneyac.com		SCALE: 2 : 1
			SHEET: 2 OF 2	REV: AB

单击下面可查看定价，库存，交付和生命周期等信息

[>>TE Connectivity\(泰科\)](#)