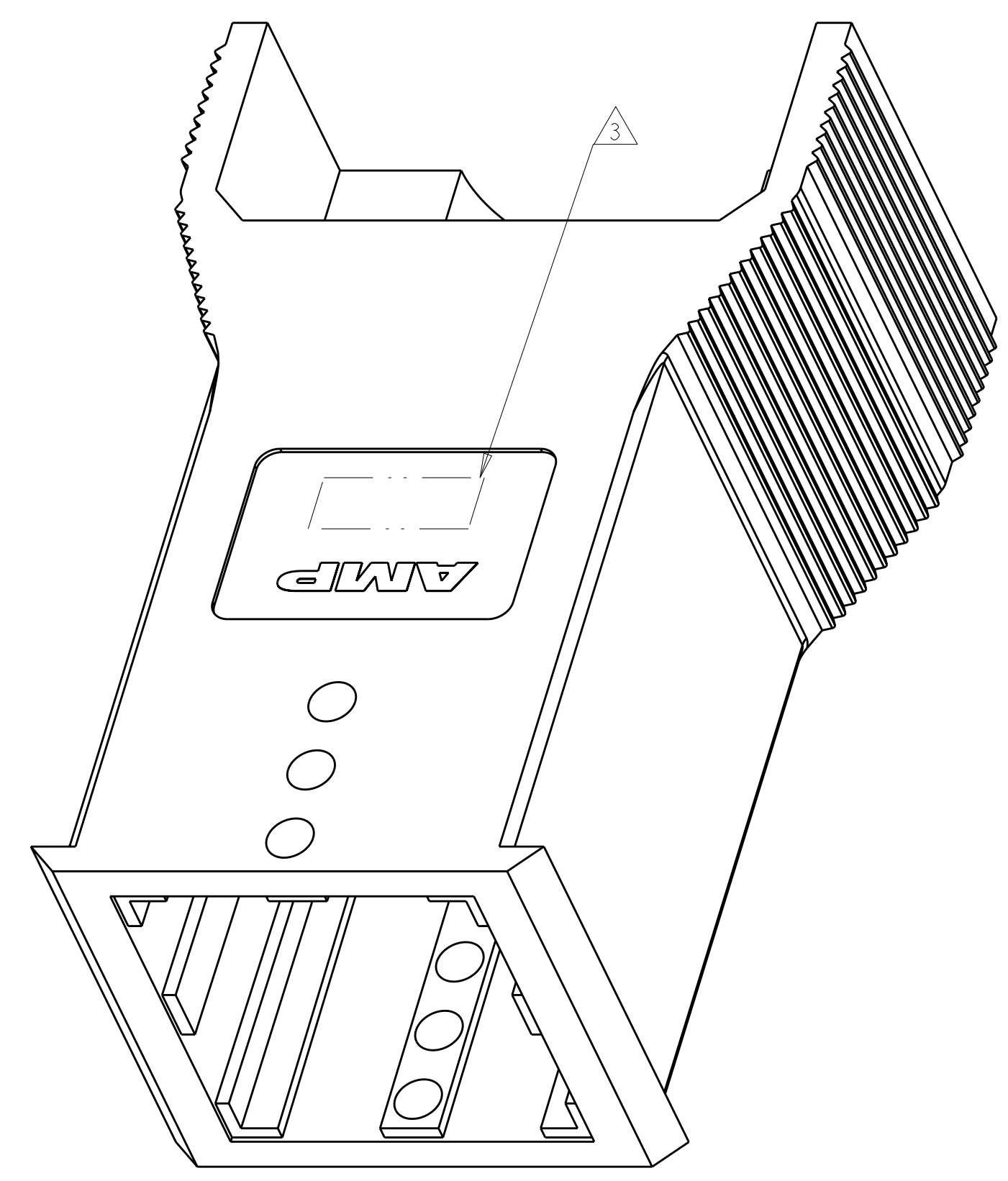
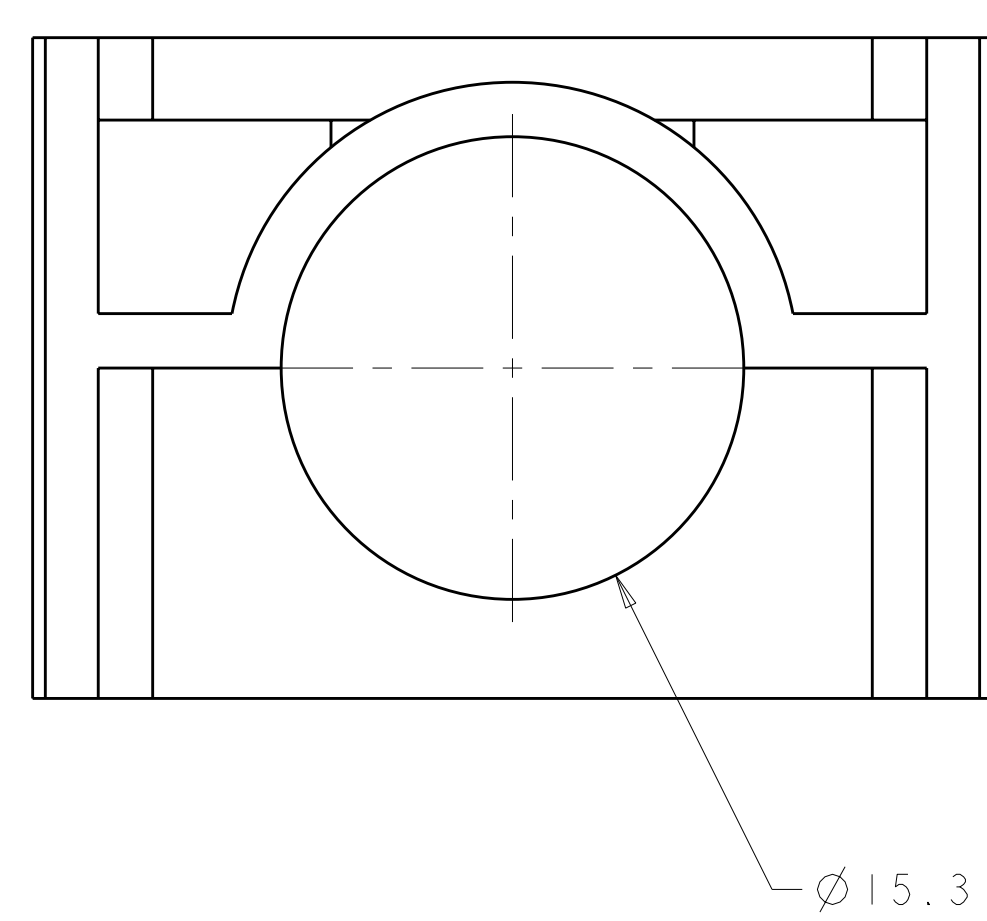
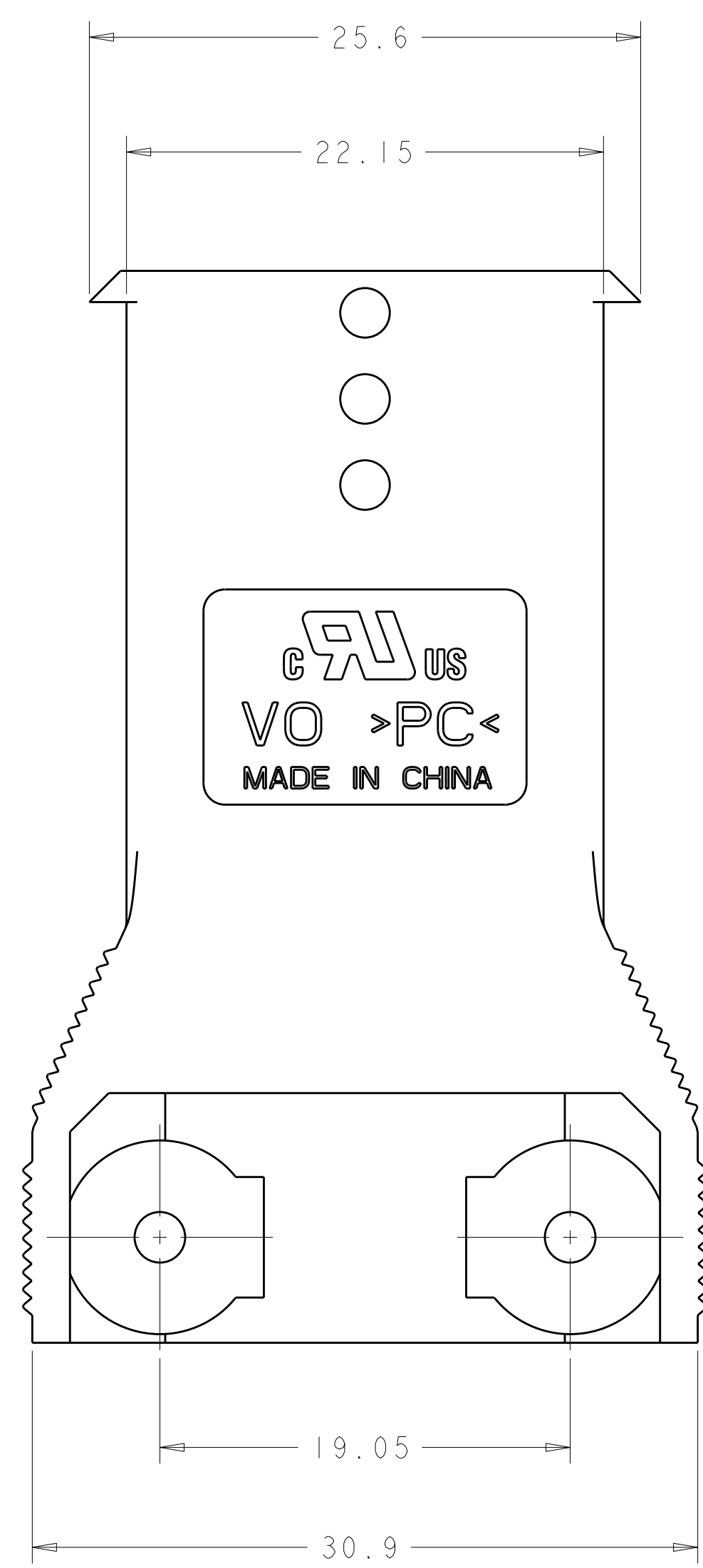
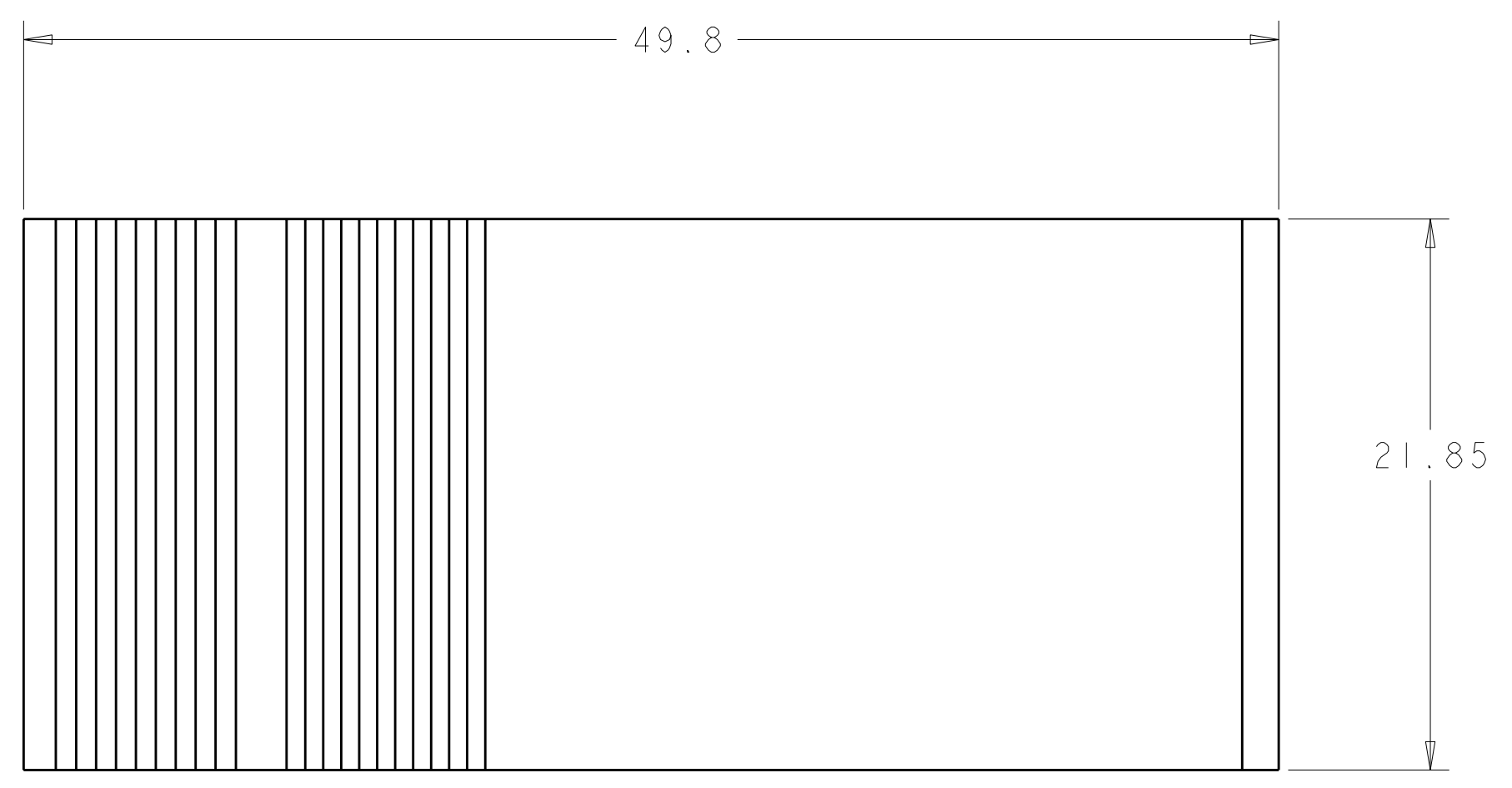


LOC	DIST	REVISIONS			
FT	0	REV	DATE	DWN	APVD
		B	REVISED PER ECO-11-005167	03JUN2011	HMR DY



- 1. MATERIAL: POLYCARBONATE 94-V0
- 2. COLOR: BLACK
- 3. TE OR TE CONNECTIVITY LOGO LOCATED APPROX IN THIS AREA.



1604080-1
 PART NUMBER

THIS DRAWING IS A CONTROLLED DOCUMENT.		DWN: B. HAYMAKER 09JAN2002	TE Connectivity
DIMENSIONS: mm		CHK: K. KETELSLEGER 14MAR02	
TOLERANCES UNLESS OTHERWISE SPECIFIED:		APVD: K. KETELSLEGER 14MAR02	NAME: HOUSING, 2X2 POWER PRODUCT PLUG WITHOUT LATCH
0 PLC ±0.13 1 PLC ±0.13 2 PLC ±0.13 3 PLC ±0.13 4 PLC ±0.13 ANGLES ±°	FINISH: #30°	PRODUCT SPEC: -	APPLICATION SPEC: -
MATERIAL: -	FINISH: -	WEIGHT: -	RESTRICTED TO: -
CUSTOMER DRAWING		SIZE: A100779	DRAWING NO: C=1604080
SCALE: 4:1		SHEET: 1 OF 1	REV: B

单击下面可查看定价，库存，交付和生命周期等信息

[>>TE Connectivity\(泰科\)](#)