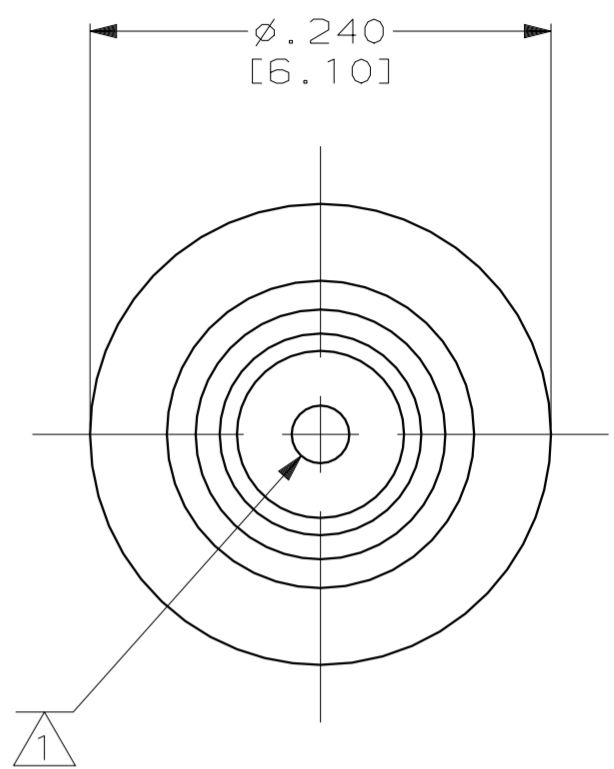
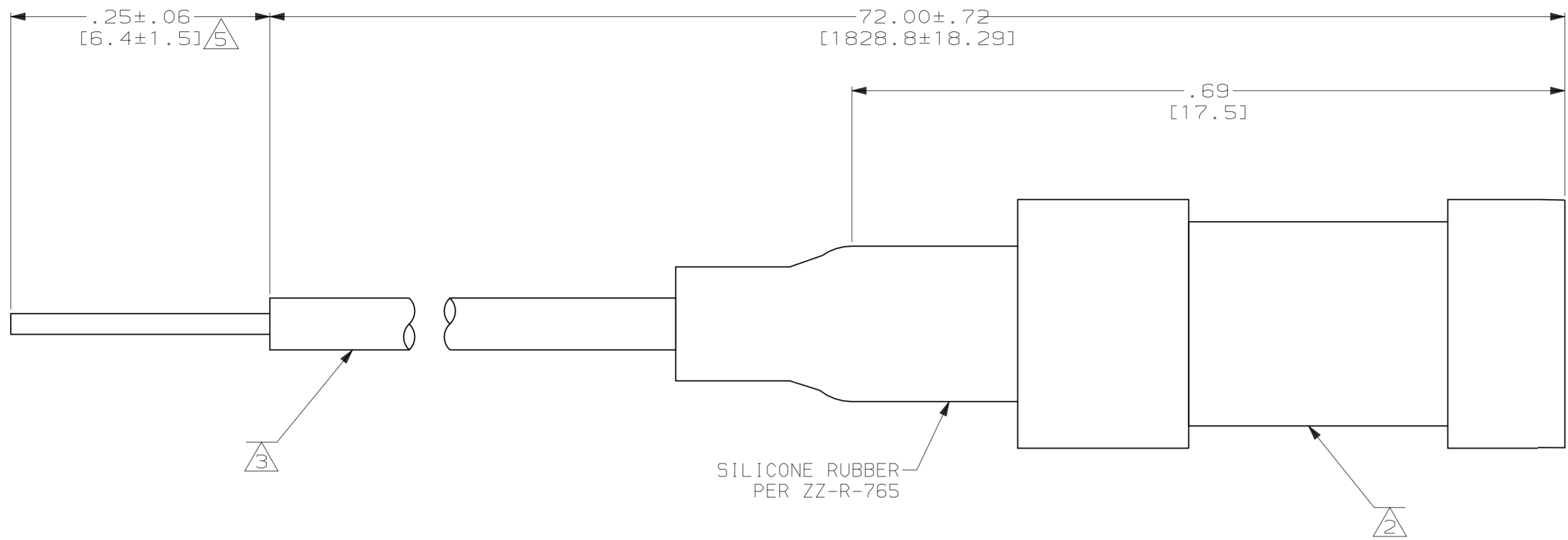


LOC	DIST	P	F	ZONE	LTR	DESCRIPTION	DATE	APPD
DF	50				E	REACTIVATE; OH14-0329-05 CT	7-21-05	DE



- ① SIZE 22 PIN CONTACT: .030 [0.76] DIA
MAT'L: BRASS PER QQ-B-626.
- ② RECEPTACLE HOUSING:
MAT'L: GLASS FILLED POLYETHERIMIDE RESIN.
- ③ CONDUCTOR:
24 (19/36) AWG SILVER PLATED COPPER
INSULATION: SILICONE COATED FEP; ϕ .060±.005 [1.52±0.13]
- 4. OPERATING VOLTAGE: 12 KVDC AT 70,000 FT. ALTITUDE.
TEST VOLTAGE: 18 KVDC AT 70,000 FT. ALTITUDE.
- ⑤ PIGTAIL IS SOLDER DIPPED.

DO NOT SCALE PRINT. UNLESS SPECIFIED DIMENSIONS IN INCHES [mm] TOLERANCES ON : 2 PLC DEC ± .01 [0.3] 3 PLC DEC ± .005 [0.13] ANGLES ± -	DR 8-17-98 C.C.THOMAS	AMP Incorporated Harrisburg, PA 17105-3608	
	CHK 8-17-98 D.EABY		
MATERIAL SEE CALLOUTS	APPD 8-17-98 D.EABY	NAME RCPT ASSY, MICRO-MINIATURE, 240 SERIES, LGH	
FINISH SEE CALLOUTS	APPD 8-17-98 C.C.THOMAS	SIZE C 00779	DRAWING NO C-448658
	PRODUCT SPEC -	SCALE 10:1	SHEET 1 OF 1
	APPLICATION SPEC -		
	WEIGHT -		

THIS DRAWING IS A CONTROLLED DOCUMENT FOR AMP INCORPORATED. IT IS SUBJECT TO CHANGE AND THE CONTROLLING ENGINEERING ORGANIZATION SHOULD BE CONTACTED FOR THE LATEST REVISION.

448658-1
PART NO.

单击下面可查看定价，库存，交付和生命周期等信息

[>>TE Connectivity\(泰科\)](#)