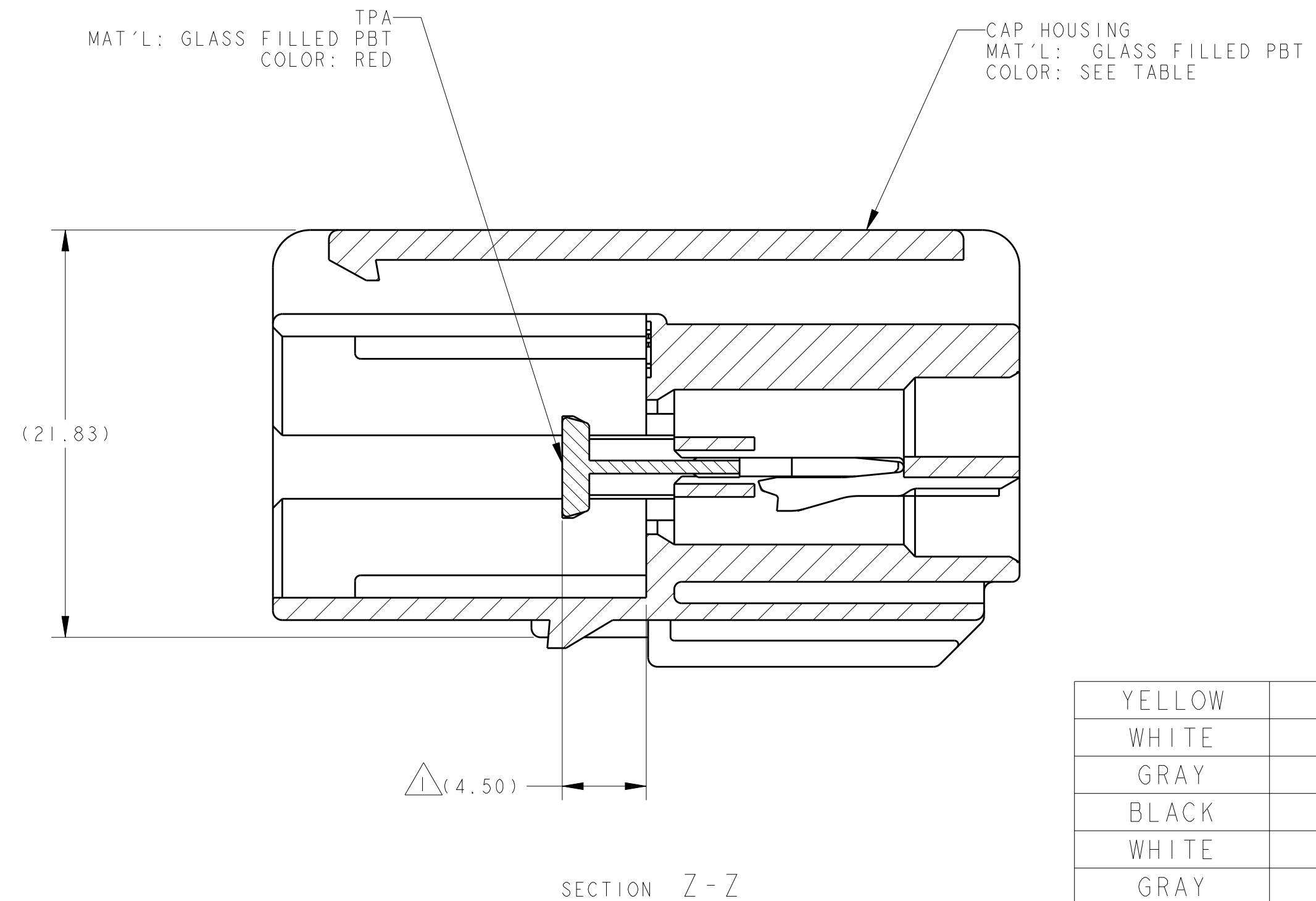
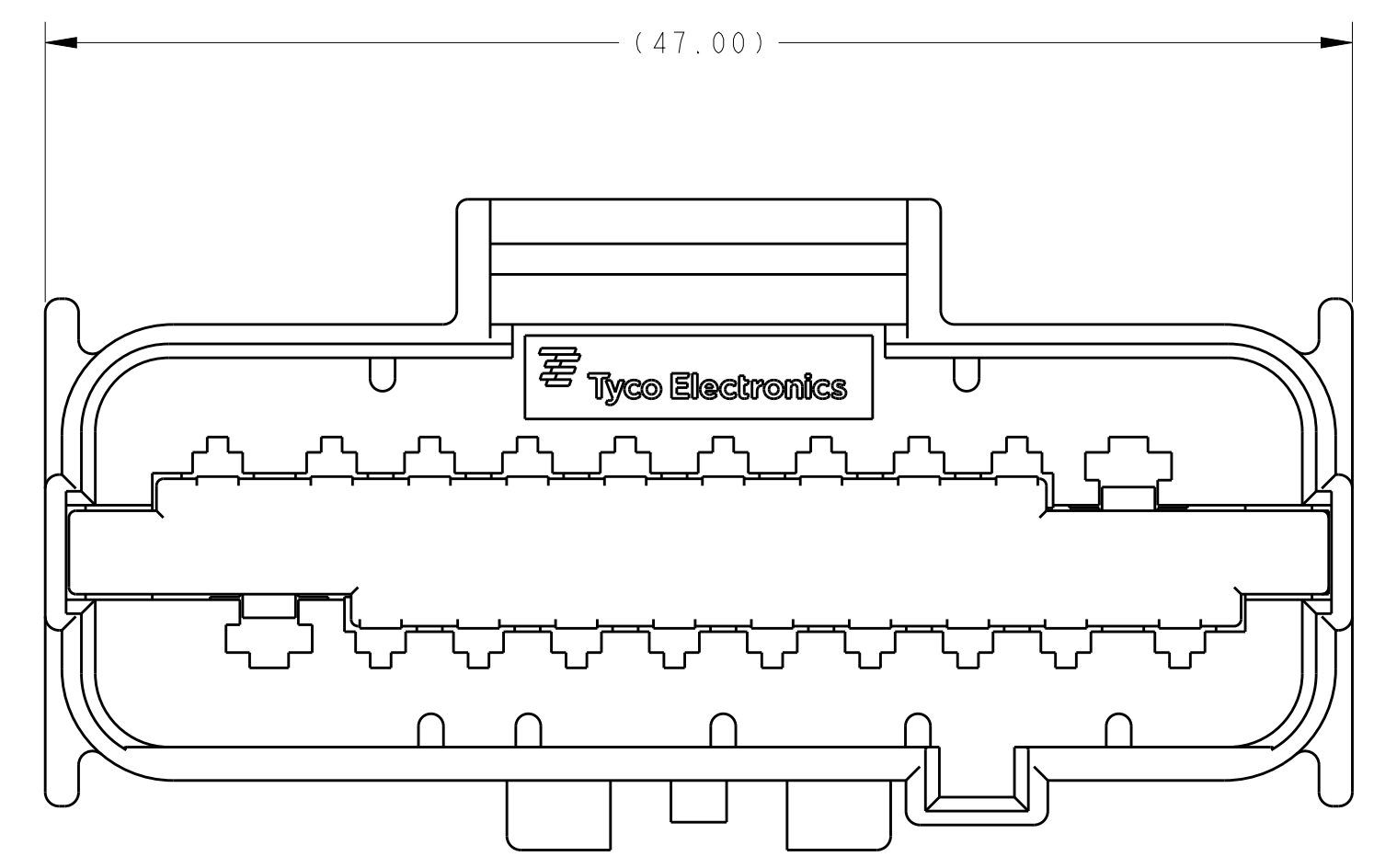
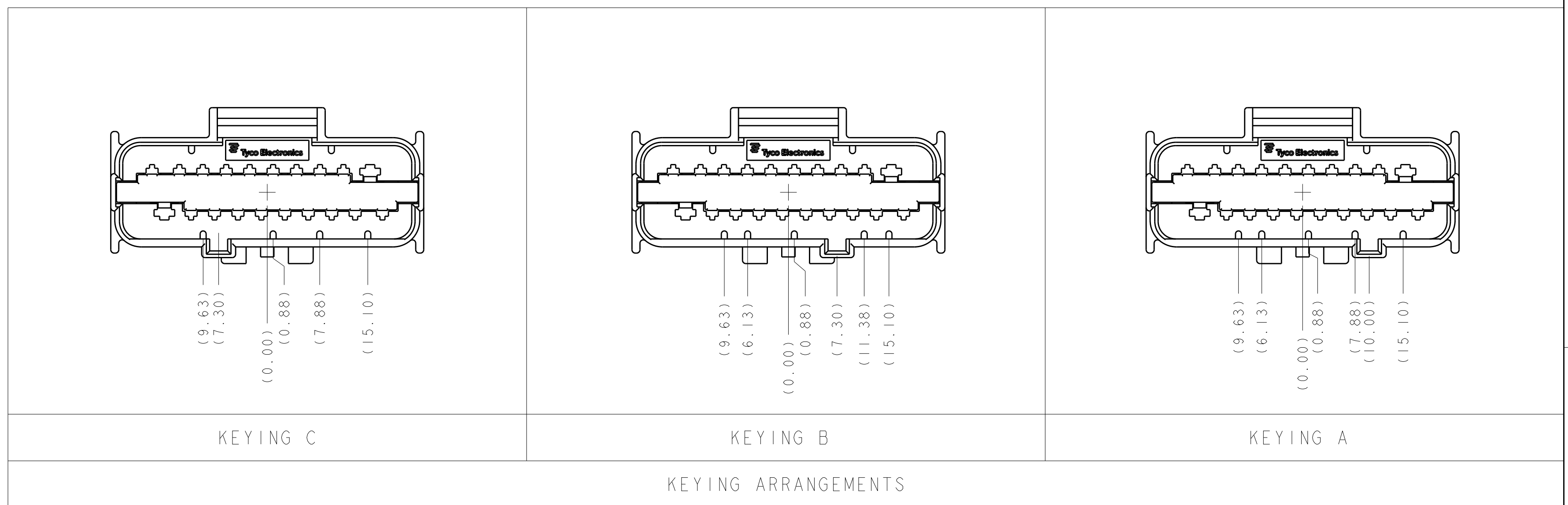
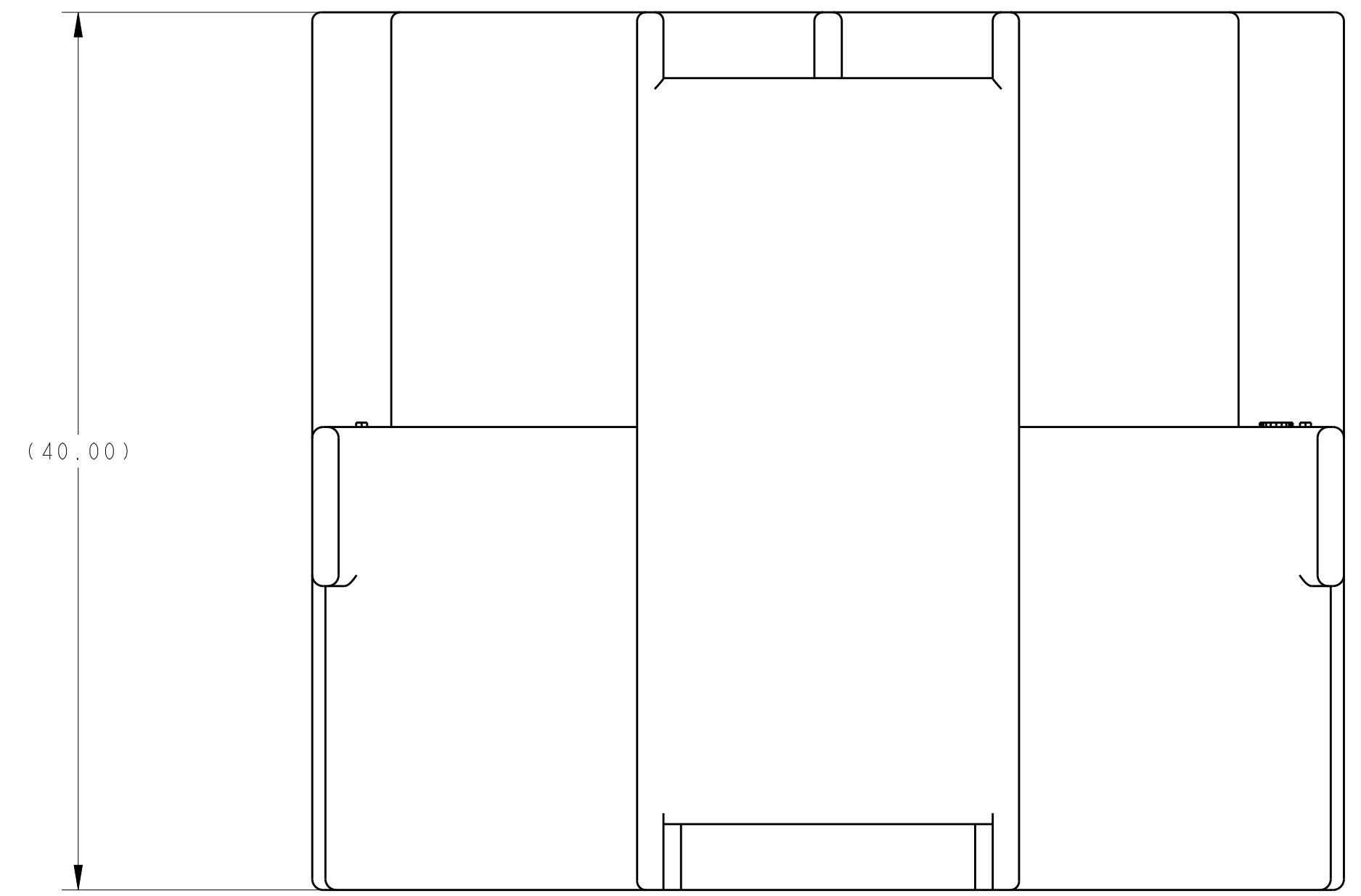


REVISIONS				
P.	LTN	DESCRIPTION	DATE	APVD
1		FIRST DRAFT	27AUG2009	MBH BB
2		REVISED	15FEB2010	JRS BSB
A		ECR-10-025922	22DEC2010	HM BB
A1		ECR-14-007751	30MAY2014	VP ML



- 1. TPA SHIPPED IN STAGED POSITION
- 2. THIS CAP CONNECTOR MATES WITH CAP CONNECTOR, TYCO ELECTRONICS DRAWING NUMBER 2098377 AND IS INTENDED FOR CLASS 2 (105°C MAX) APPLICATIONS
- 3. SEE INSTRUCTION SHEET 408-10433.

HOUSING COLOR	MOUNTING CLIP COMPATIBILITY	KEYING	PART NUMBER
YELLOW	STANDARD	A	1-2098380-0
WHITE	EPC	C	2098380-9
GRAY	EPC	B	2098380-8
BLACK	EPC	A	2098380-7
WHITE	NONE	C	2098380-6
GRAY	NONE	B	2098380-5
BLACK	NONE	A	2098380-4
WHITE	STANDARD	C	2098380-3
GRAY	STANDARD	B	2098380-2
BLACK	STANDARD	A	2098380-1

THIS DRAWING IS A CONTROLLED DOCUMENT.

DIMENSIONS:	TOLERANCES UNLESS OTHERWISE SPECIFIED:	OWN: M. HITCHCOCK	DATE: 27AUG2009
mm	0 PLC ±0.0	CHK: B. BUCHTER	DATE: 27AUG2009
	1 PLC ±0.3	APVD: B. BUCHTER	DATE: 27AUG2009
	2 PLC ±0.1	PRODUCT SPEC	
	3 PLC ±0.0	APPLICATION SPEC	
	4 PLC ±0.0	WEIGHT	
	ANGLES ±0.0	CUSTOMER DRAWING	
	FINISH	SCALE	4:1

STE TE Connectivity

CAP ASSEMBLY, 20 POSN UNSEALED HYBRID CONNECTOR

SIZE: A100779 C=2098380

SHEET 1 OF 1 REV A1

单击下面可查看定价，库存，交付和生命周期等信息

[>>TE Connectivity\(泰科\)](#)