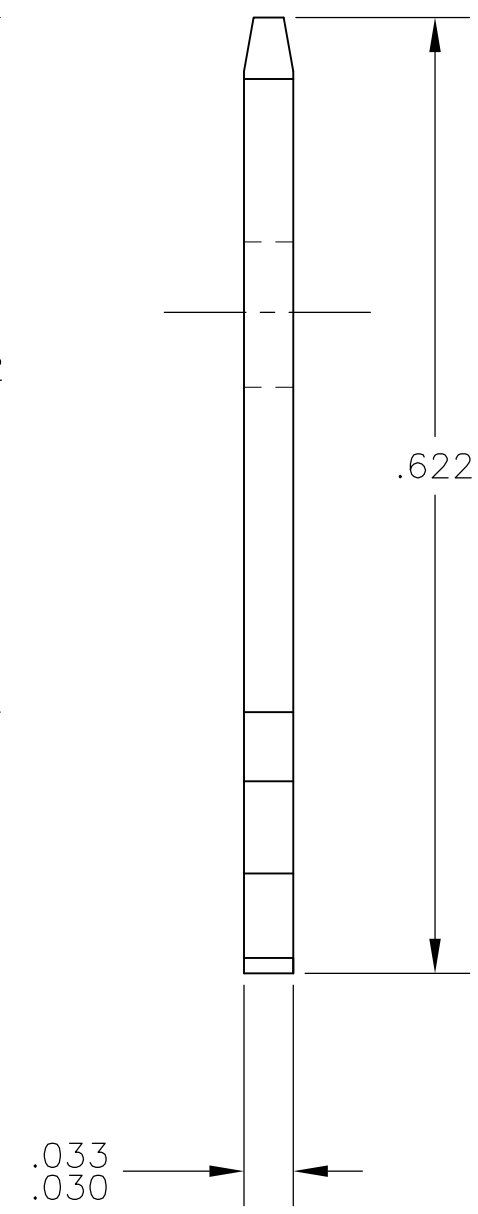
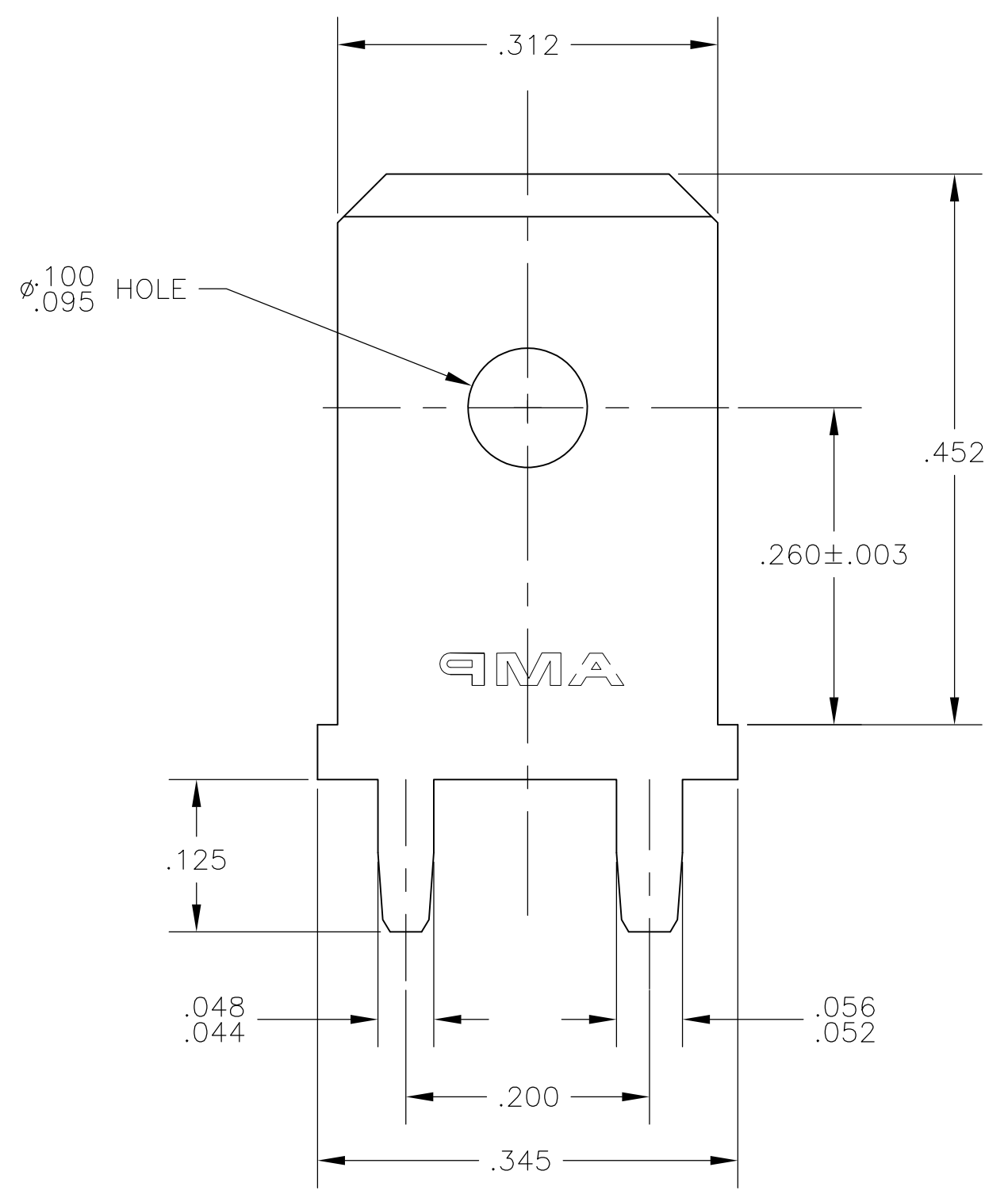
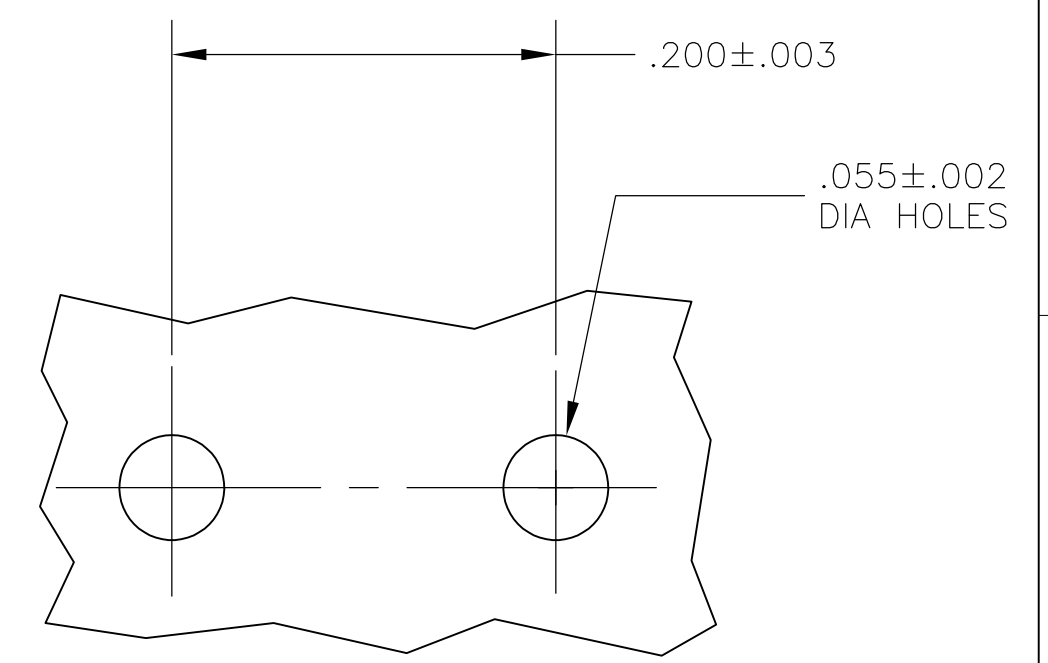


THIS DRAWING IS UNPUBLISHED. RELEASED FOR PUBLICATION  
 © COPYRIGHT - By - ALL RIGHTS RESERVED.

LOC	DIST	REVISIONS					
AF	50	P	LTR	DESCRIPTION	DATE	DWN	APVD
		E		REVISED PER ECR-13-011489	12DEC2013	KH	PD



1 SUPPLIED IN LOOSE PIECE  
 2 .000150 MIN TIN OVER  
 .000100 MIN THK COPPER.



P.C. BOARD HOLES  
 SCALE 10:1

1217956-1  
 PART NUMBER

THIS DRAWING IS A CONTROLLED DOCUMENT.		DWN	JR RUTH	19MAY03	<b>STE</b> TE Connectivity			
DIMENSIONS: INCHES		CHK	P DESANTIS	19MAY03				
TOLERANCES UNLESS OTHERWISE SPECIFIED:		APVD	P DESANTIS	19MAY03	NAME			
0 PLC ± -		PRODUCT SPEC		TAB, FASTON, PC BOARD, .312 SERIES				
1 PLC ± -		APPLICATION SPEC		SIZE		CAGE CODE	DRAWING NO	RESTRICTED TO
2 PLC ± .010		MATERIAL		A3		00779	C-1217956	
3 PLC ± -		FINISH		CUSTOMER DRAWING		SCALE	SHEET	REV
4 PLC ± -		TIN OVER COPPER		SCALE 8:1		SHEET 1 OF 1	REV E	
ANGLES ± -								

单击下面可查看定价，库存，交付和生命周期等信息

[>>TE Connectivity\(泰科\)](#)