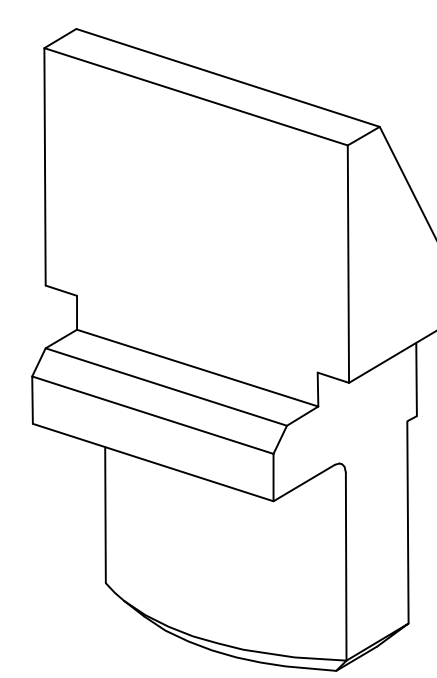
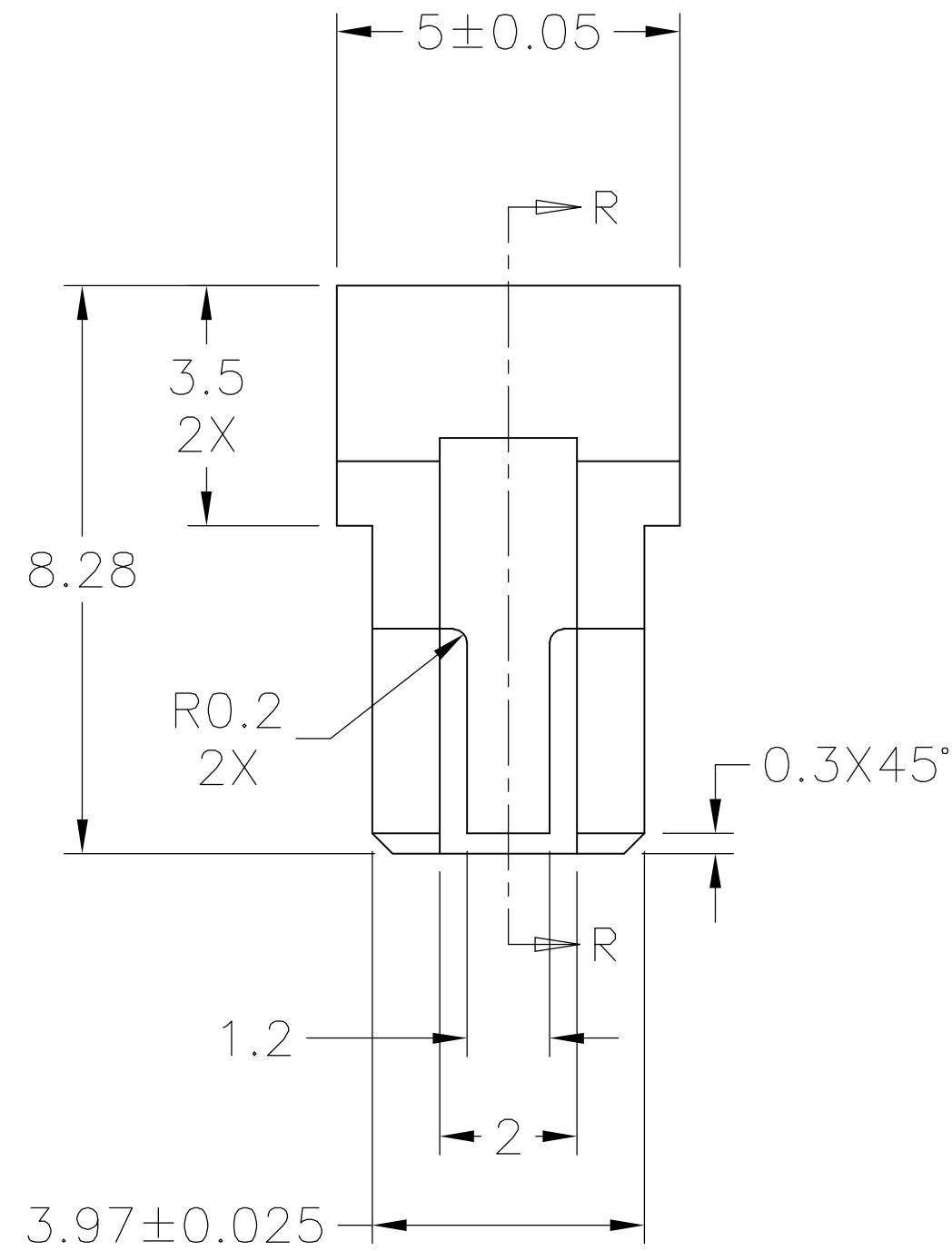
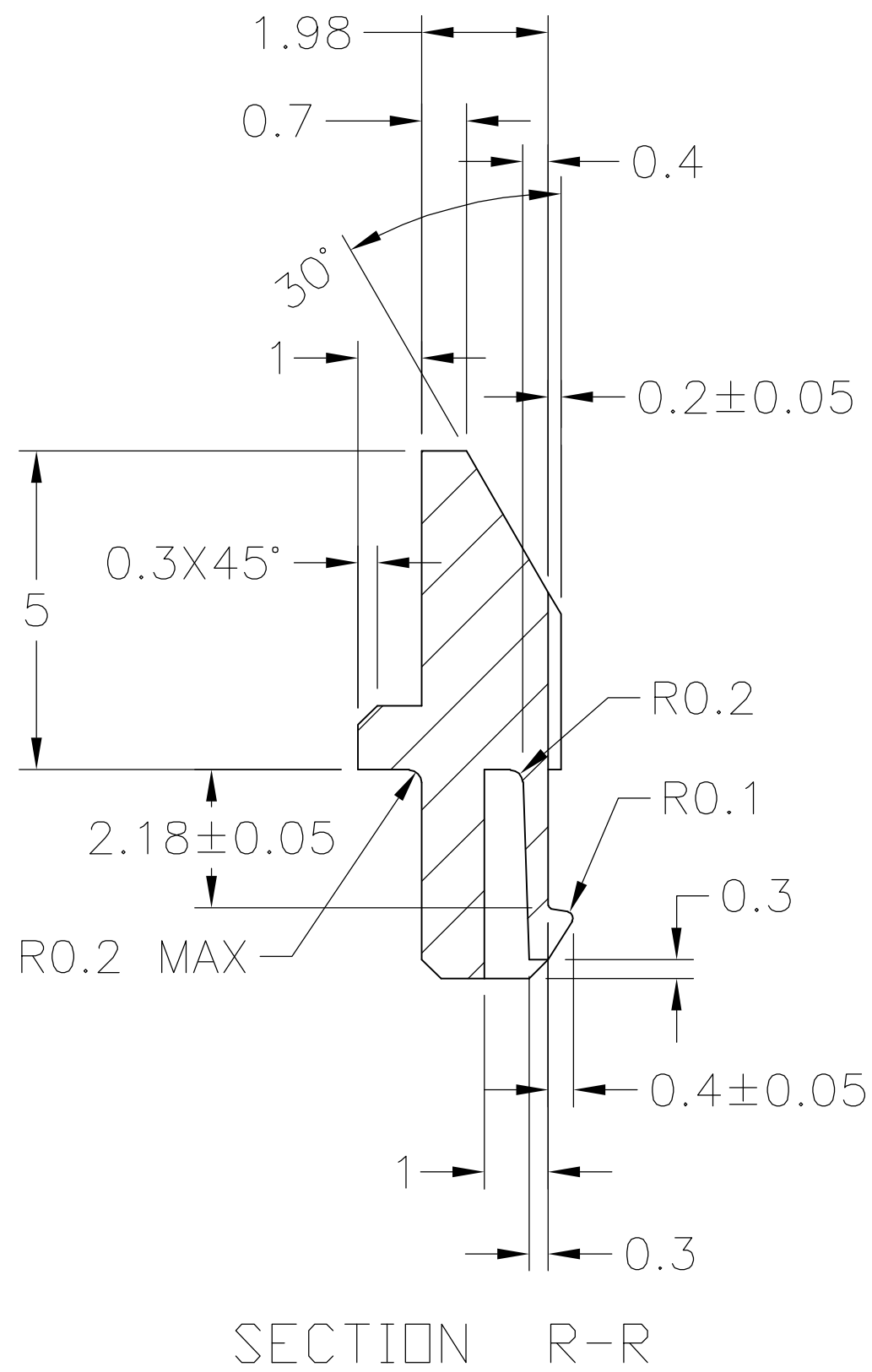
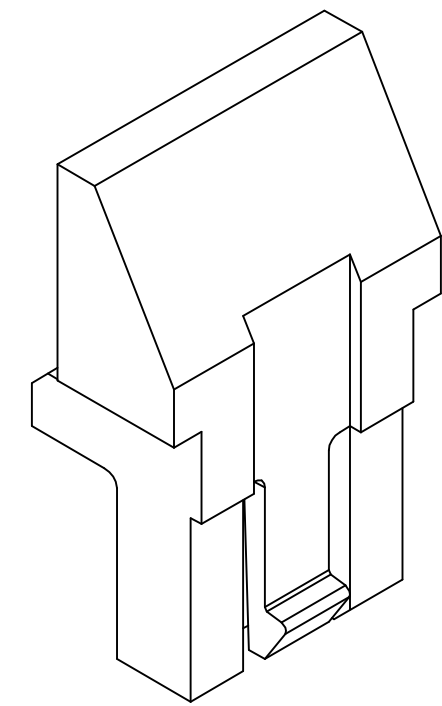


THIS DRAWING IS UNPUBLISHED. RELEASED FOR PUBLICATION 11, 2005.  
 © COPYRIGHT 2005 BY TYCO ELECTRONICS CORPORATION. ALL RIGHTS RESERVED.

LOC		DIST		REVISIONS			
P	LTR	DESCRIPTION		DATE	DWN	APVD	
J	-	A	RELEASED	ECR-05-014422	29NOV'05	S.A	H.S

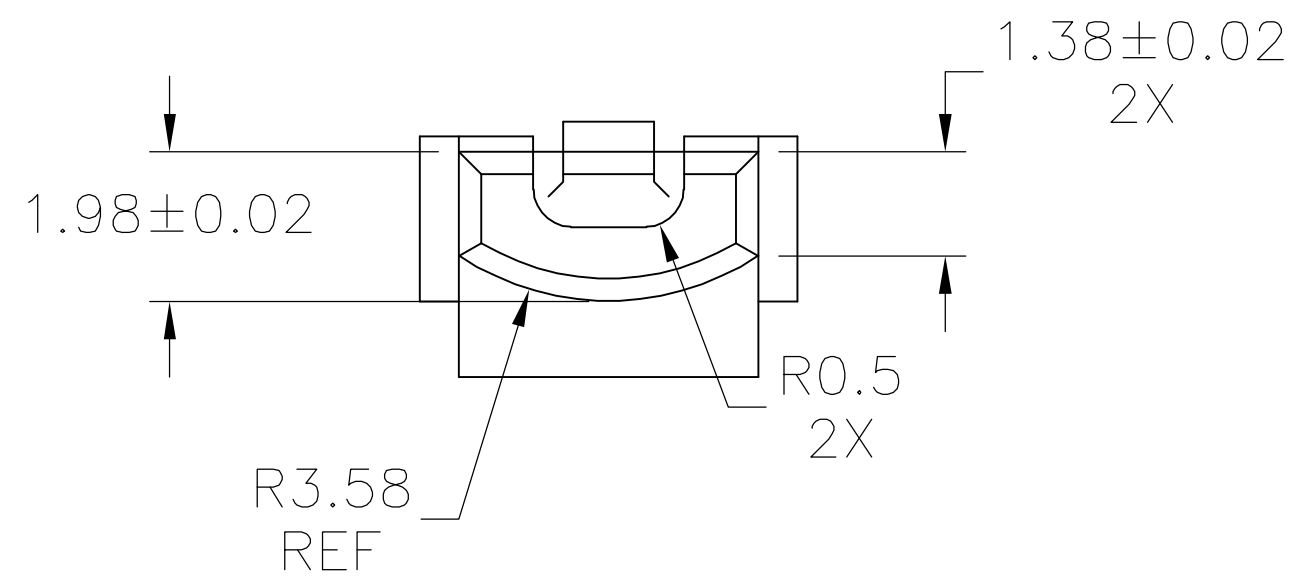


ISOMETRIC VIEW  
ROUND KEY SIDE



ISOMETRIC VIEW  
LATCH SIDE

△ HIGH TEMPERATURE THERMOPLASTIC, UL 94V-0.



1761259-1 AS SHOWN

THIS DRAWING IS A CONTROLLED DOCUMENT.		DWN S.ABE	22NOV2005	Tyco Electronics AMP K.K. Kawasaki, Japan	
DIMENSIONS: mm		CHK S.HASHIMOTO	22NOV2005		
TOLERANCES UNLESS OTHERWISE SPECIFIED:		APVD H.SHIRAI	22NOV2005	NAME ALIGNMENT PLUG SNAP ON VR372 POWER	
0 PLC ± 0.13 1 PLC ± 0.13 2 PLC ± 0.13 3 PLC ± 0.025 4 PLC ± - ANGLES ± 1° FINISH		APPLICATION SPEC		SIZE A2	CAGE CODE 00779
MATERIAL △ 1		WEIGHT 0.1 g		DRAWING NO C=1761259	RESTRICTED TO -
CUSTOMER DRAWING				SCALE 10:1	SHEET 1 OF 1
				REV A	

单击下面可查看定价，库存，交付和生命周期等信息

[>>TE Connectivity\(泰科\)](#)