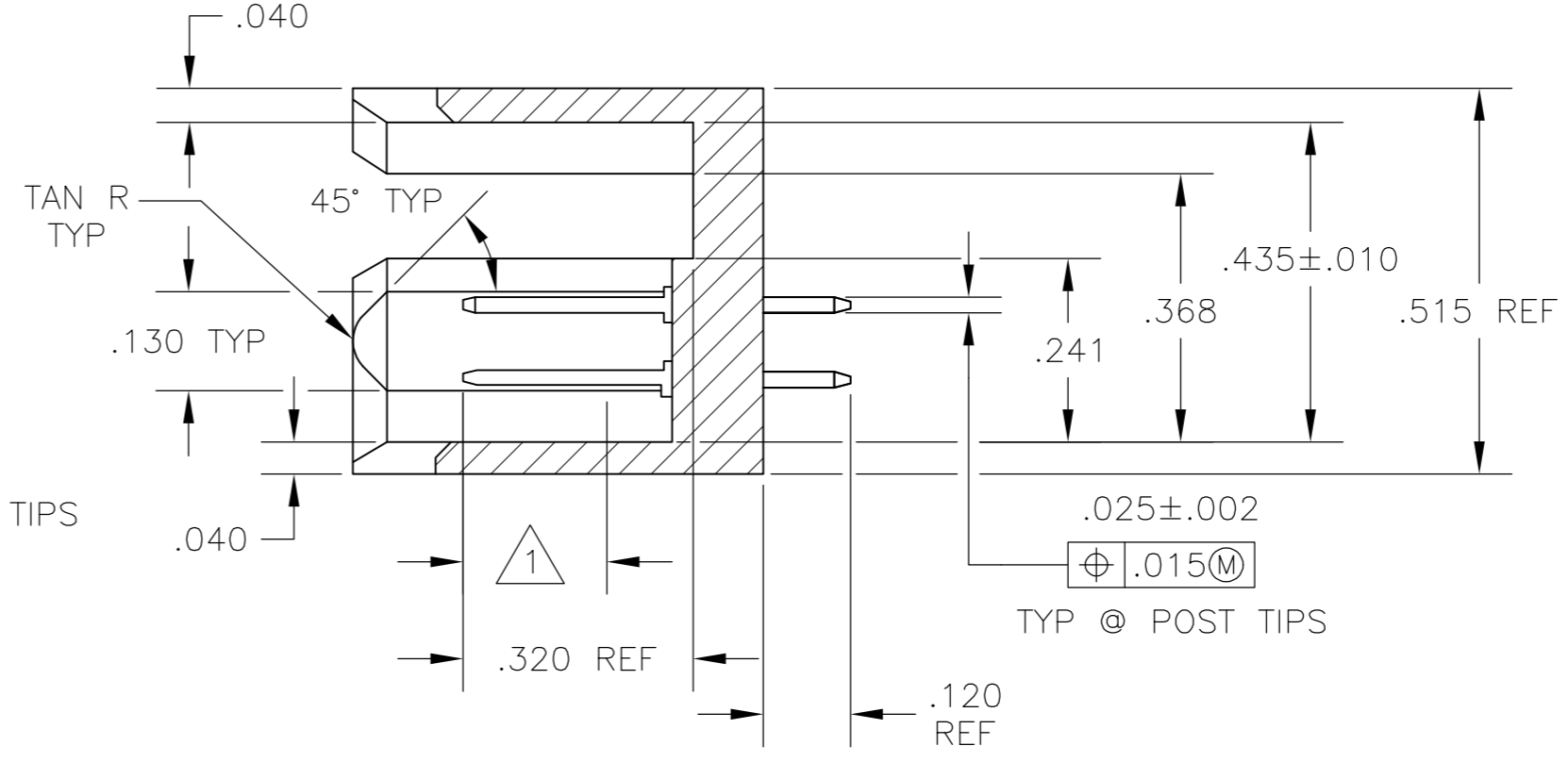
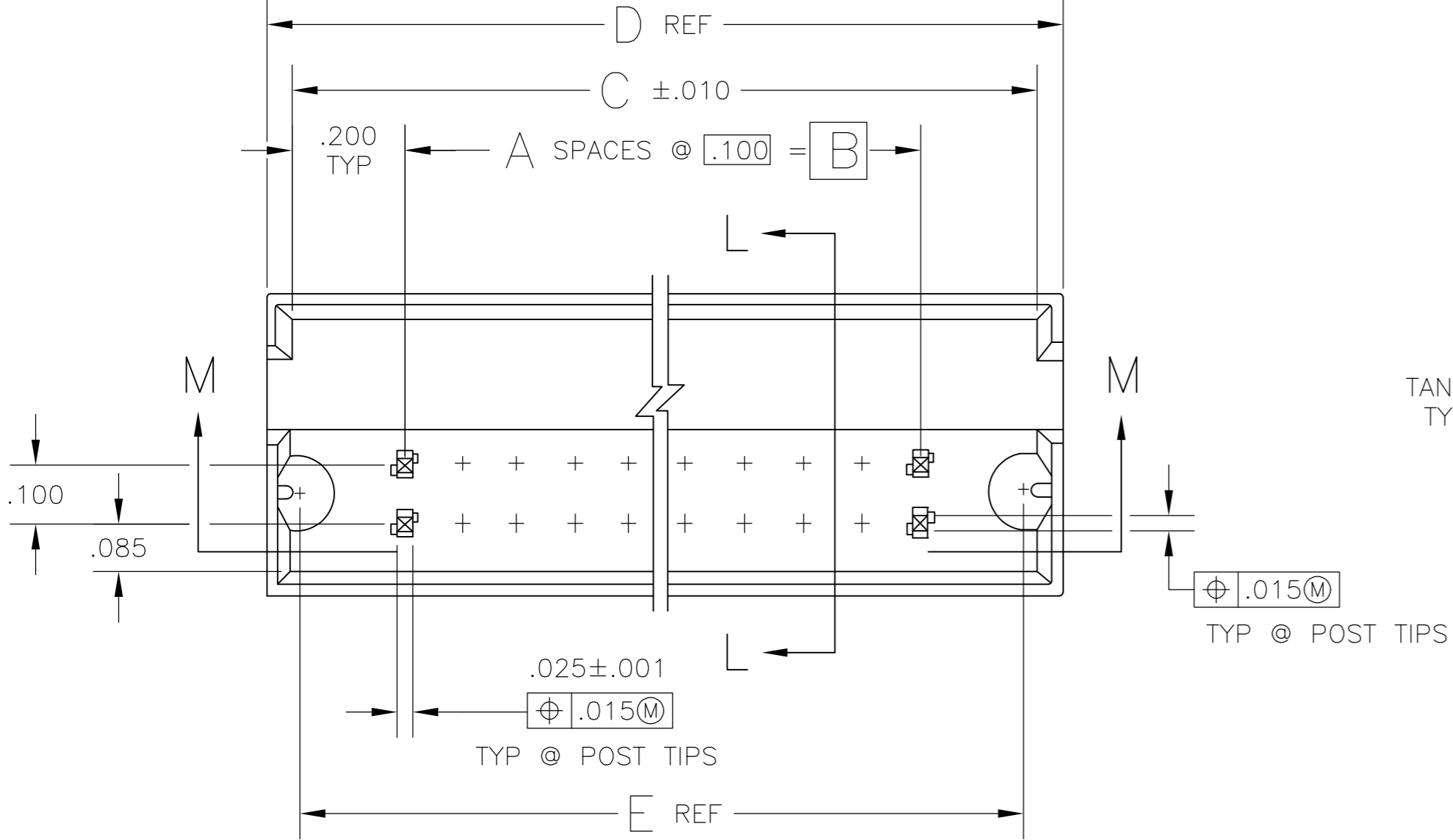


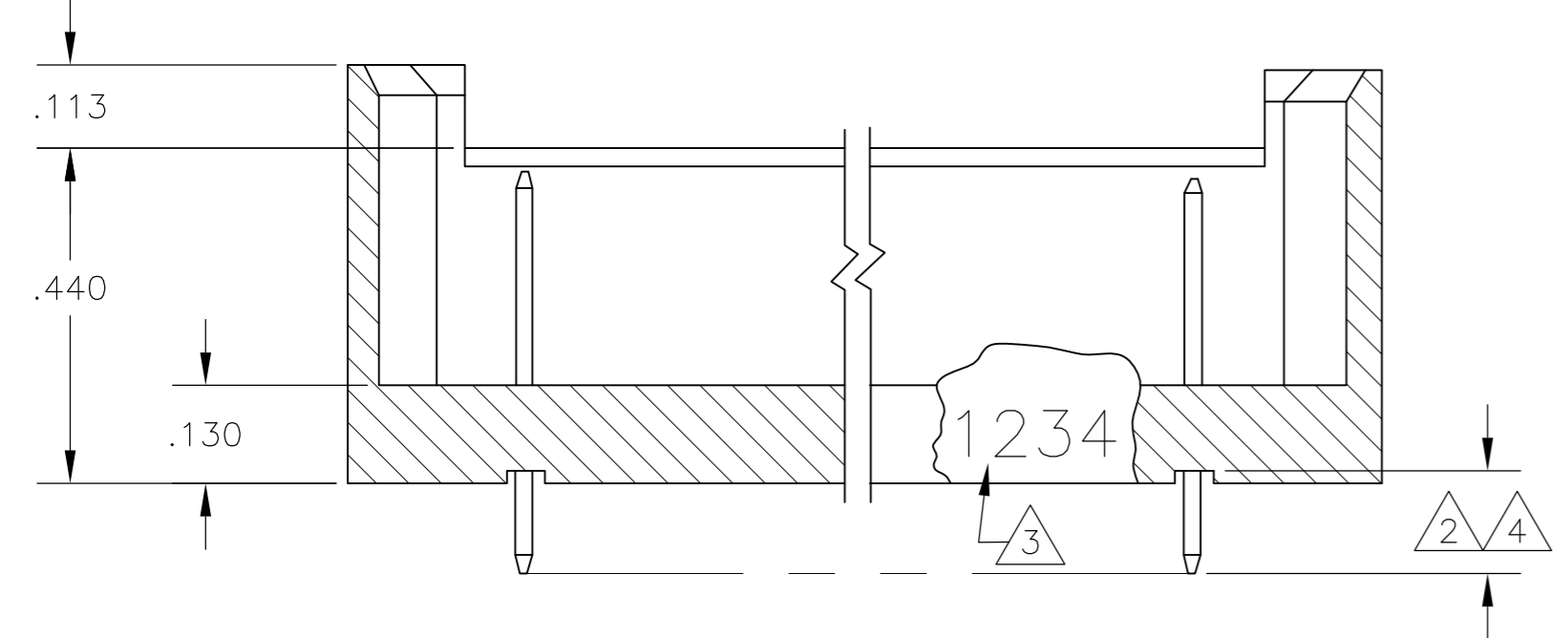
THIS DRAWING IS UNPUBLISHED. RELEASED FOR PUBLICATION
© COPYRIGHT BY TYCO ELECTRONICS CORPORATION. ALL RIGHTS RESERVED.

LOC	DIST	REVISONS					
AD	00	P	LTR	DESCRIPTION	DATE	DWN	APVD
		K1		ECO-06-016522	24AUG06	BSV	JO
		K2		REVISED PER ECO-09-021510	11SEP09	KK	AEG

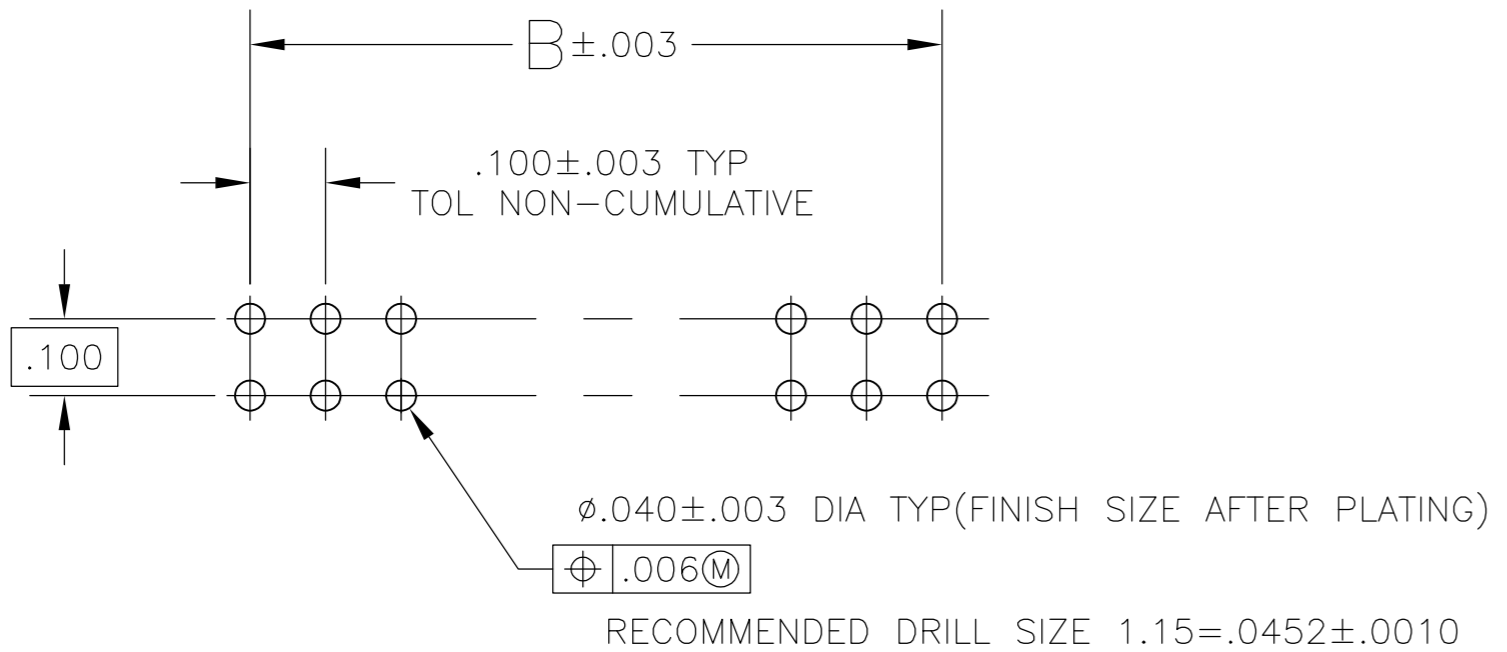


SECTION L-L

- 1 FINISH OVER INDICATED AREA: .000030 GOLD OVER .000050 NICKEL.
- 2 FINISH OVER INDICATED AREA: .000100-.000200 TIN OVER .000050 NICKEL.
- 3 RECESSED DATE CODE.
- 4 FINISH OVER INDICATED AREA: .000100-.000200 MATTE TIN OVER .000050 NICKEL
- 5 ROHS 2002/95/EC COMPLIANT
- 6 OBSOLETE PARTS: OBSOLETE CIS STREAMLINING PER D.RENAUD/D.SINISI



SECTION M-M



RECOMMENDED HOLE LAYOUT

	FINISH	E	D	C	B	A	NO. OF POSN	PART NO
	1,4	1.470	1.580	1.500	1.100	11	24	5-533023-8
	1,4	2.770	2.880	2.800	2.400	24	50	5-533023-3
OBSOLETE	1,2	7.270	7.380	7.300	6.900	69	140	533023-9
	1,2	1.470	1.580	1.500	1.100	11	24	533023-8
OBSOLETE	1,2	.870	.980	.900	.500	5	12	533023-7
OBSOLETE	1,2	2.270	2.380	2.300	1.900	19	40	533023-6
OBSOLETE								
OBSOLETE	1,2	5.270	5.380	5.300	4.900	49	100	533023-4
OBSOLETE	1,2	2.770	2.880	2.800	2.400	24	50	533023-3
OBSOLETE	1,2	5.270	6.380	6.300	5.900	59	120	533023-2
OBSOLETE	1,2	4.270	4.380	4.300	3.900	39	80	533023-1

THIS DRAWING IS A CONTROLLED DOCUMENT.		DWN 08MAR85 CHK 15MAR85 APVD 15MAR85	08MAR85 15MAR85 15MAR85	Tyco Electronics Corporation Harrisburg, Pa 17105-3608
DIMENSIONS: INCHES	TOLERANCES UNLESS OTHERWISE SPECIFIED:	NAME DOUGLAS SARVER		
MATERIAL: GLASS FILLED NYLON, COLOR, BLACK POST: COPPER ALLOY		PRODUCT SPEC APPLICATION SPEC WEIGHT FINISH 1 2 4		
RECOMMENDED DRILL SIZE 1.15=.0452±.0010		SIZE A2 CAGE CODE 00779 C=533023		RESTRICTED TO
CUSTOMER DRAWING				SCALE 4:1 SHEET 1 OF 1 REV K2

533023

A

单击下面可查看定价，库存，交付和生命周期等信息

[>>TE Connectivity\(泰科\)](#)