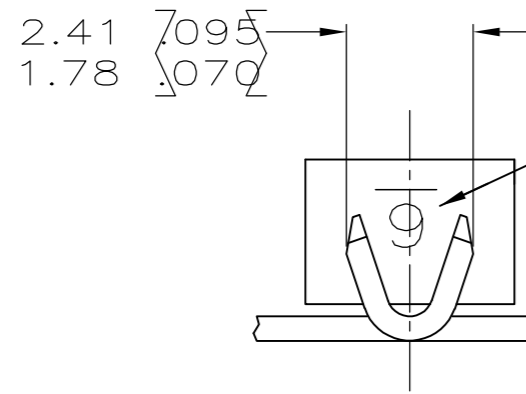


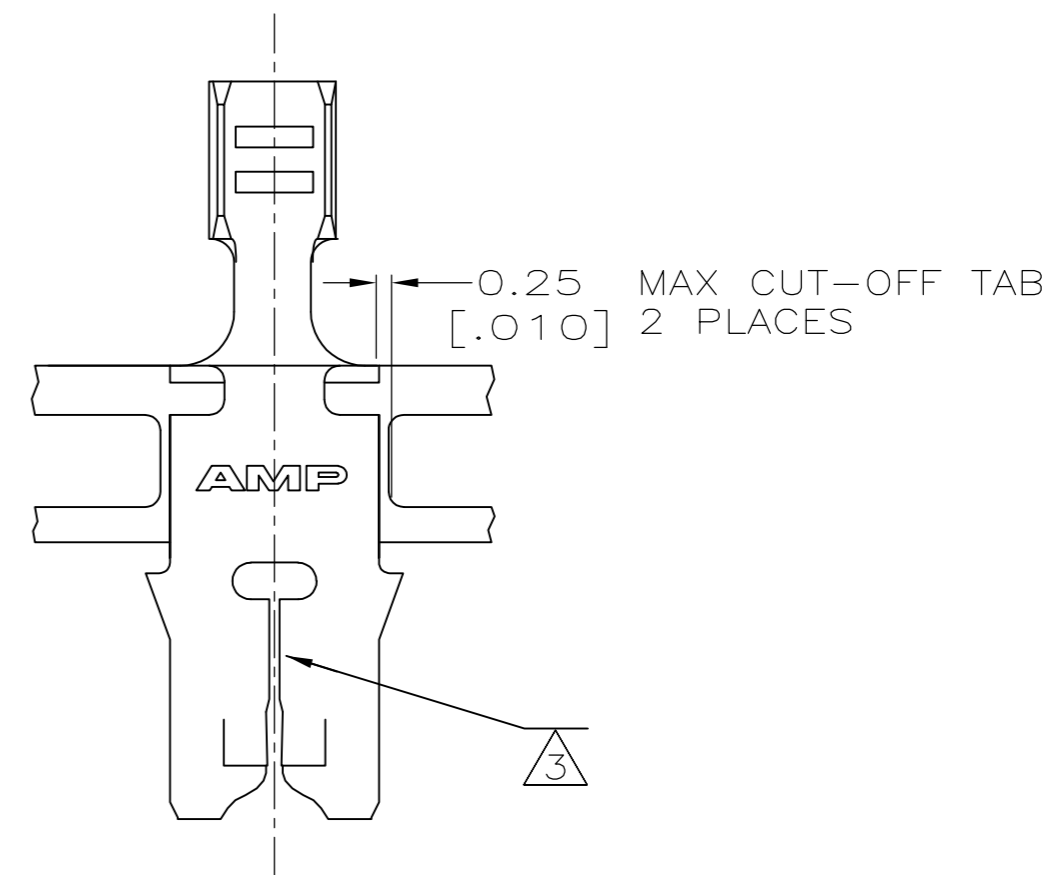
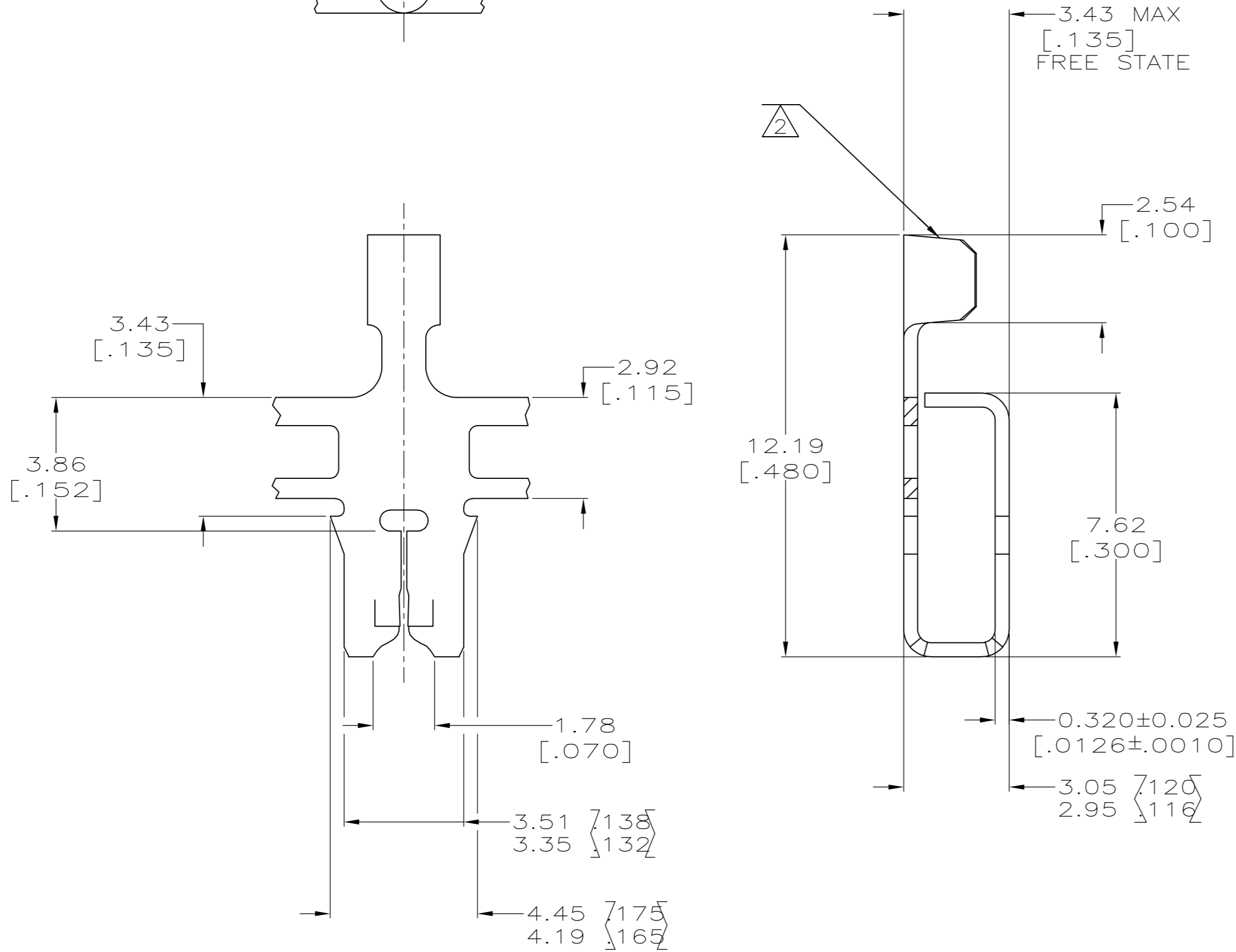
THIS DRAWING IS UNPUBLISHED. RELEASED FOR PUBLICATION .19
 © COPYRIGHT 19 BY AMP INCORPORATED. ALL RIGHTS RESERVED.

LOC		DIST		REVISIONS			
P	LTR	DESCRIPTION		DATE	DWN	APVD	
		C1	ECR-15-005665	10AUG2015	BDA	PKS	



IDENTIFICATION NUMBER 6
FOR MAGNET WIRE RANGE

- 1 CONTINUOUS STRIP ON REELS WITH TERMINALS LOCATED ON 5.59 ± 0.08 [$.220 \pm .003$] CENTERS.
 - 2 BARREL TO ACCEPT $0.2-0.6\text{mm}^2$ [#24-20] LEAD WIRE.
 - 3 SLOT TERMINATES A SINGLE OR DOUBLE MAGNET WIRE OF THE SAME SIZE AND TYPE.
- COPPER RANGE: $0.25-0.36\text{mm}$ [#30-#27] AWG.
 ALUMINUM RANGE: $0.32-0.45\text{mm}$ [#28-#25] AWG.
 ALUMINUM WIRE RANGE APPLIES FOR POST-TIN PLATED VERSIONS ONLY.



62992

B

A

62992-1
PART NUMBER

THIS DRAWING IS A CONTROLLED DOCUMENT.		DWN	SCOTT URICH	29JUL1998	 TE connectivity TERMINAL, F-CRIMP, 300 SERIES MAG-MATE™							
DIMENSIONS: mm[INCHES]		CHK	MICHAEL S. FEHER	20FEB1999								
TOLERANCES UNLESS OTHERWISE SPECIFIED:		APVD	KURT A. RANDOLPH	22FEB1999								
0 PLC ±- 1 PLC ±- 2 PLC ±- 3 PLC ±0.25[.010] 4 PLC ±- ANGLES ±-		PRODUCT SPEC	108-2012	APPLICATION SPEC								
MATERIAL	H04 BRASS	FINISH	0.002032[.000080]	MIN TIN	SIZE	A2	CAGE CODE	00779	DRAWING NO	62992	RESTRICTED TO	-
CUSTOMER DRAWING		WEIGHT	-	SCALE	8:1	SHEET	1	OF	1	REV	C1	

单击下面可查看定价，库存，交付和生命周期等信息

[>>TE Connectivity\(泰科\)](#)