

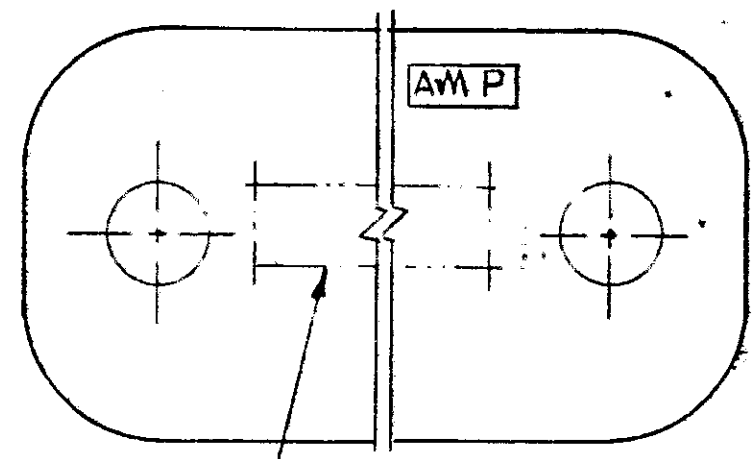
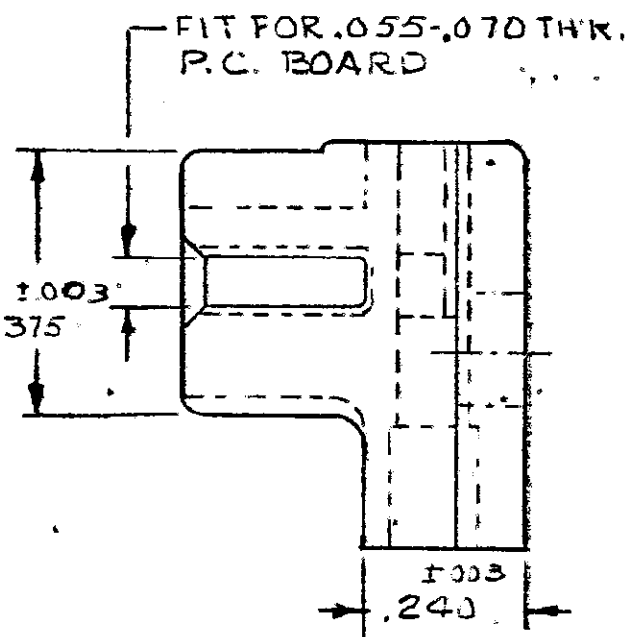
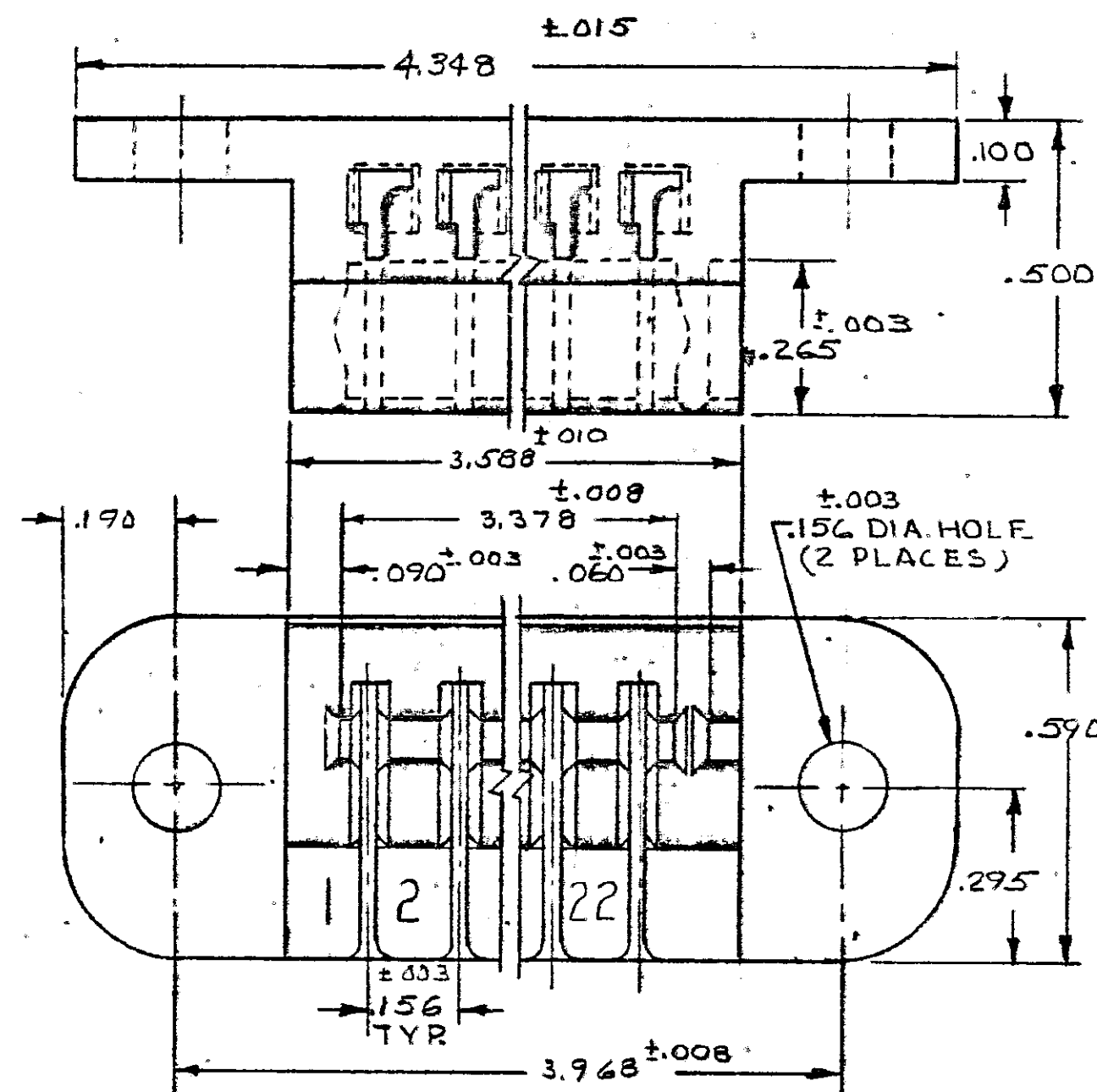
DRAWING MADE IN AMERICAN PROJECTION

© 1962 BY AMP INCORPORATED. ALL RIGHTS RESERVED. AMP PRODUCTS COVERED BY PATENTS AND OR PATENTS PENDING.

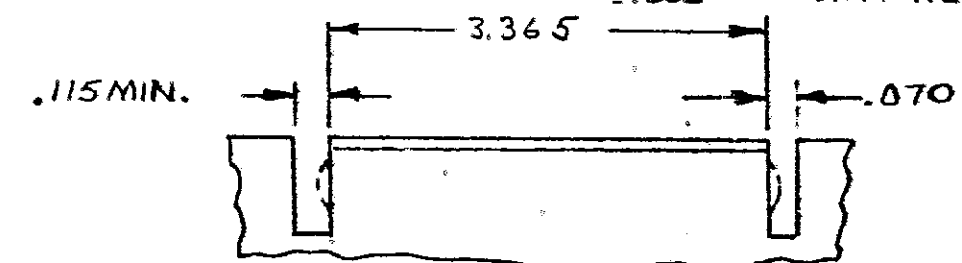
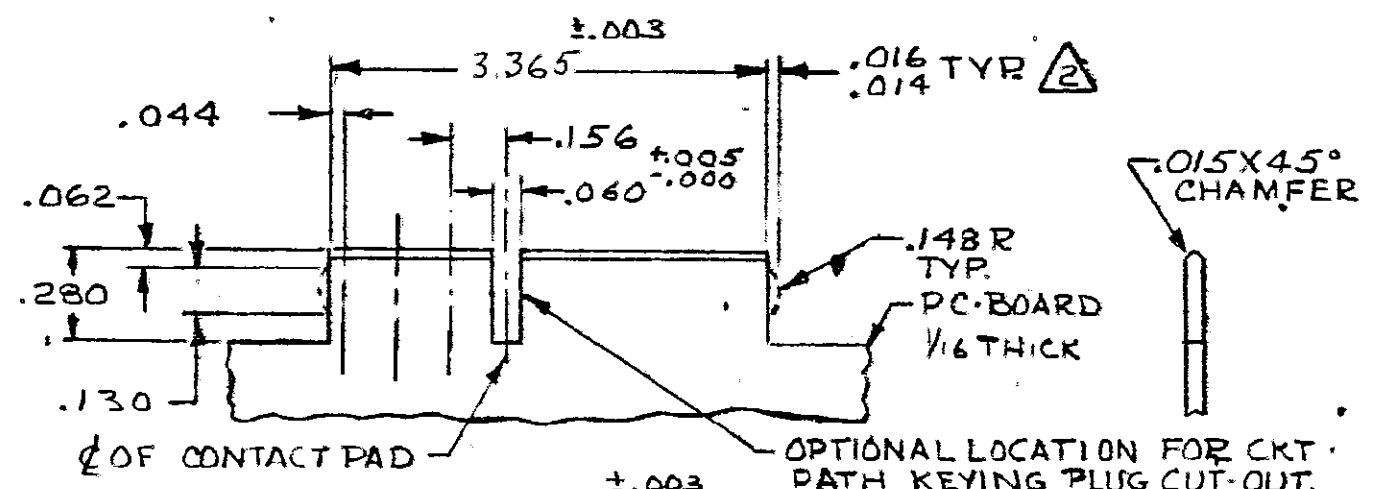
REVISIONS				
ZONE	LTR	DESCRIPTION	DATE	APPROVED
	H1	REDRAWN WITHOUT CHANGE	3588 DR 2-8-72	JH
	J	REV PER AD 1746	931-87	LB/WALK
	K	REV PER 0010-1143-95	11-95	P.B.
	L	REV PER EC 0G3C-233-01	08OCT01	MM

PART N ^o	COLOR
582388-1	BROWN
582388-2	RED
582388-3	ORANGE
582388-4	YELLOW
582388-5	GREEN
582388-6	BLUE
582388-7	VIOLET
582388-8	GRAY
582388-9	NATURAL
582388-0	BLACK

OBSOLETE



PART N^o & DATE CODE MARKED OR MOLDED IN THIS AREA. DATE CODE (OPTIONAL)



OPTIONAL CUT-OUTS.

1. REFER TO 60215 & 583284 FOR TERMINAL.
2. THE RETAINING DIMPLES ARE OPTIONAL IN BOTH CUT-OUTS.
3. CARD SLOT AND MOUNTING HOLE DIMENSIONS TO BE CHECKED WITH HOUSING RESTRAINED. (AS MOUNTED)

UNLESS OTHERWISE SPECIFIED, DIMENSIONS ARE IN INCHES TOLERANCES ON DECIMALS ± .005 ANGLES ±	CONTRACT NO.	AMP INCORPORATED HARRISBURG, PENNSYLVANIA
	DR <i>Winkle</i> 2-8-72 CHG <i>S.S. Heide</i> 2-21-72 APPD <i>Dr. Bushey</i> 2-22-72 REL <i>R. Shuman</i> 2-22-72	
MATERIAL NYLON	NAME HOUSING, DUS-TYNE FLAG, WITH MOUNTING HOLES, 22 POSITION.	SIZE CODE IDENT NO. NUMBER C .00779 582388
OTHER APPD	SCALE 4-1	SHEET 1 OF 1

NUMBER 582388

单击下面可查看定价，库存，交付和生命周期等信息

[>>TE Connectivity\(泰科\)](#)