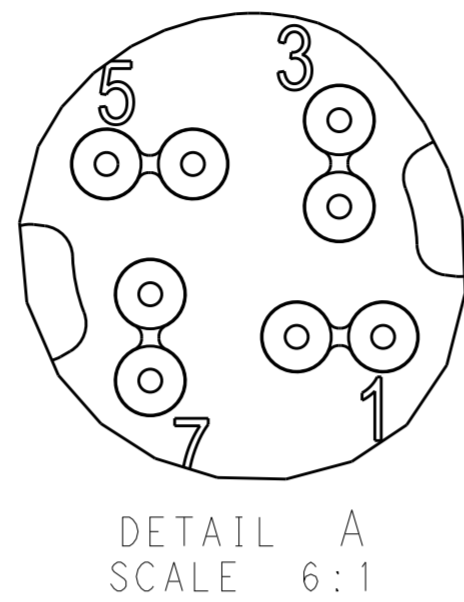
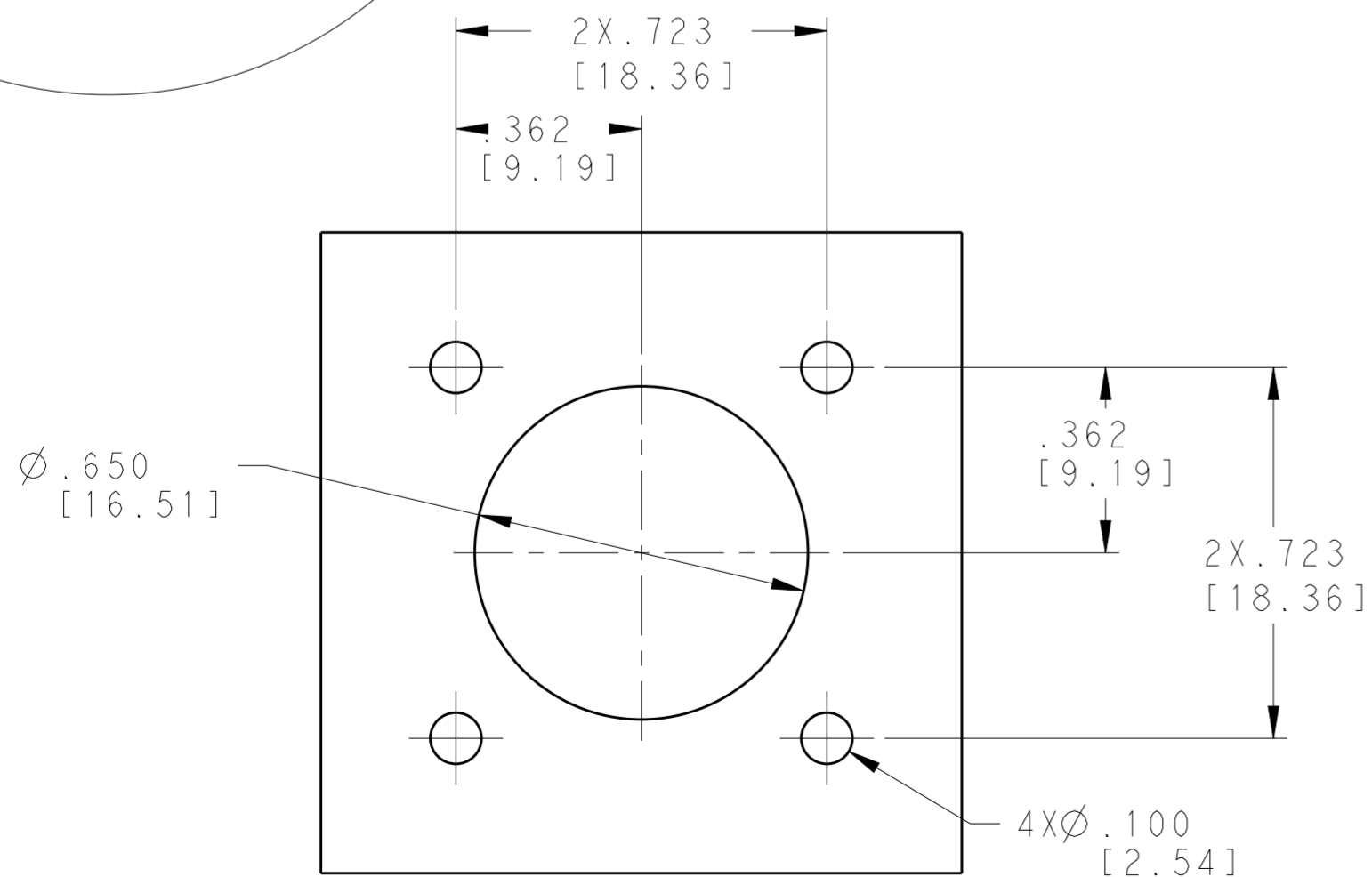
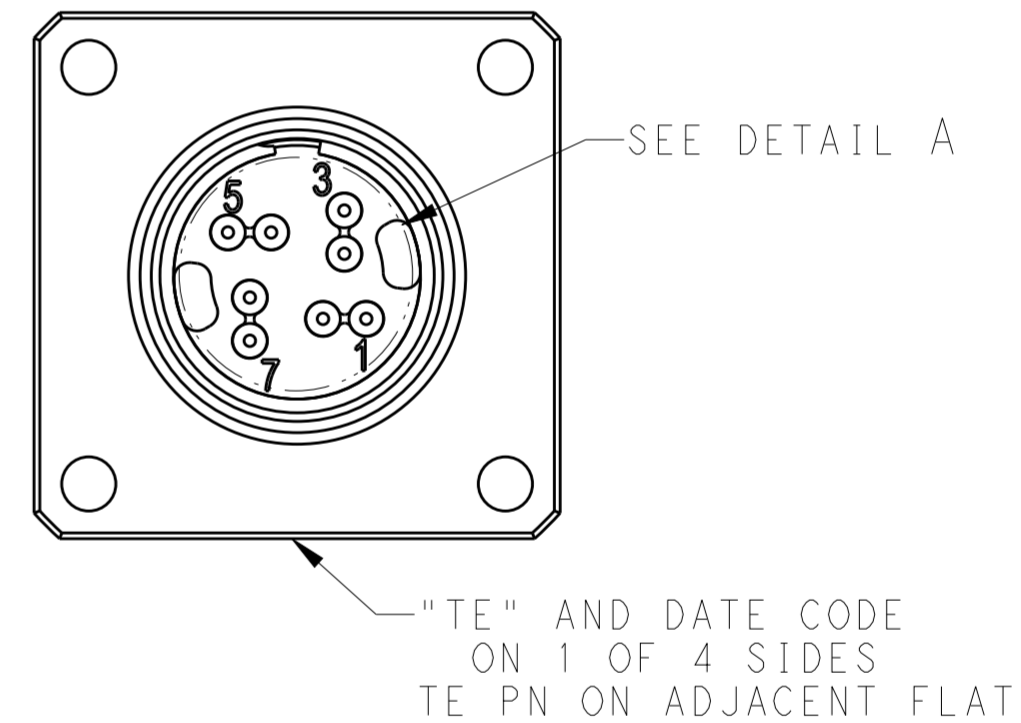
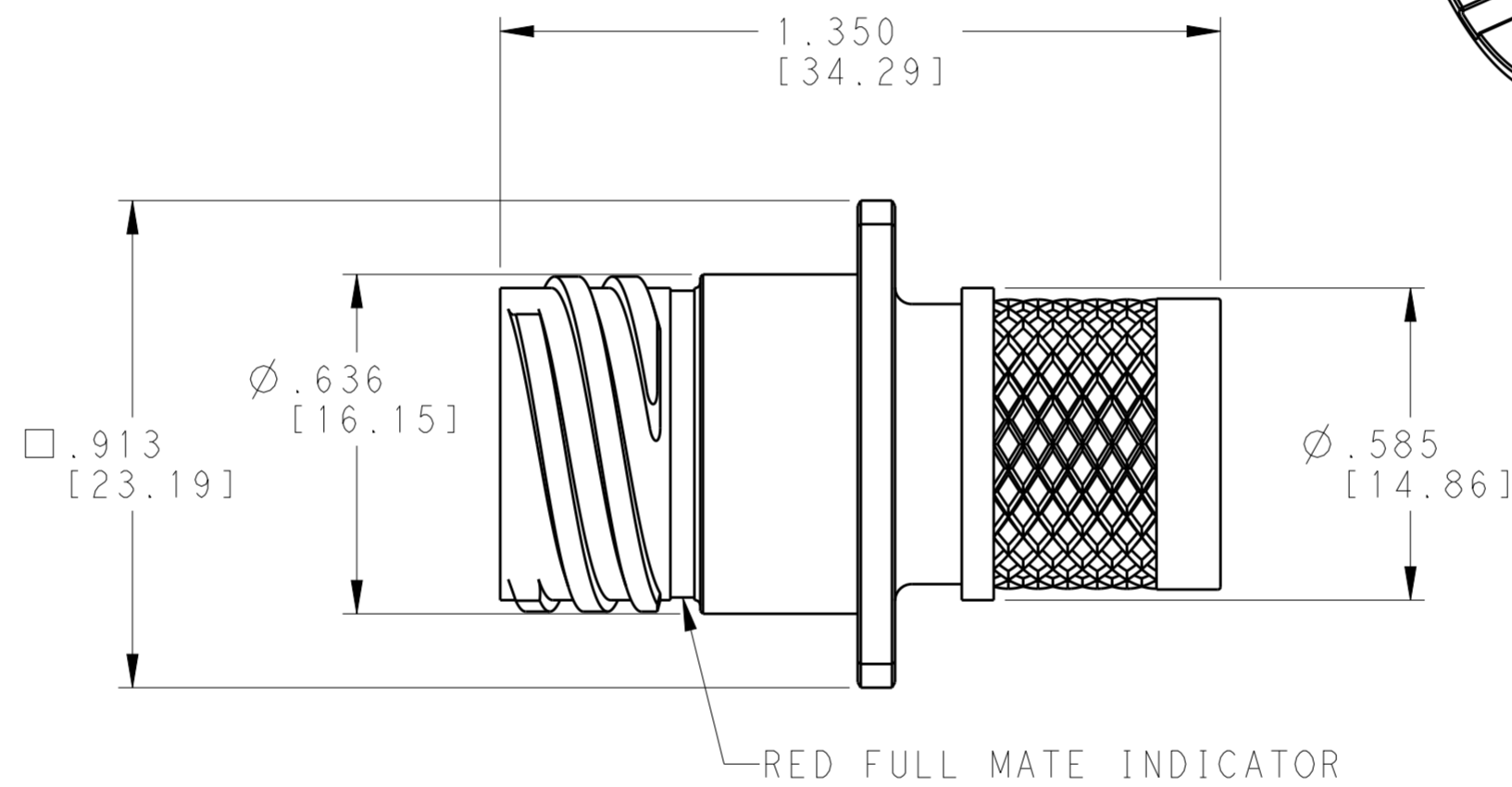
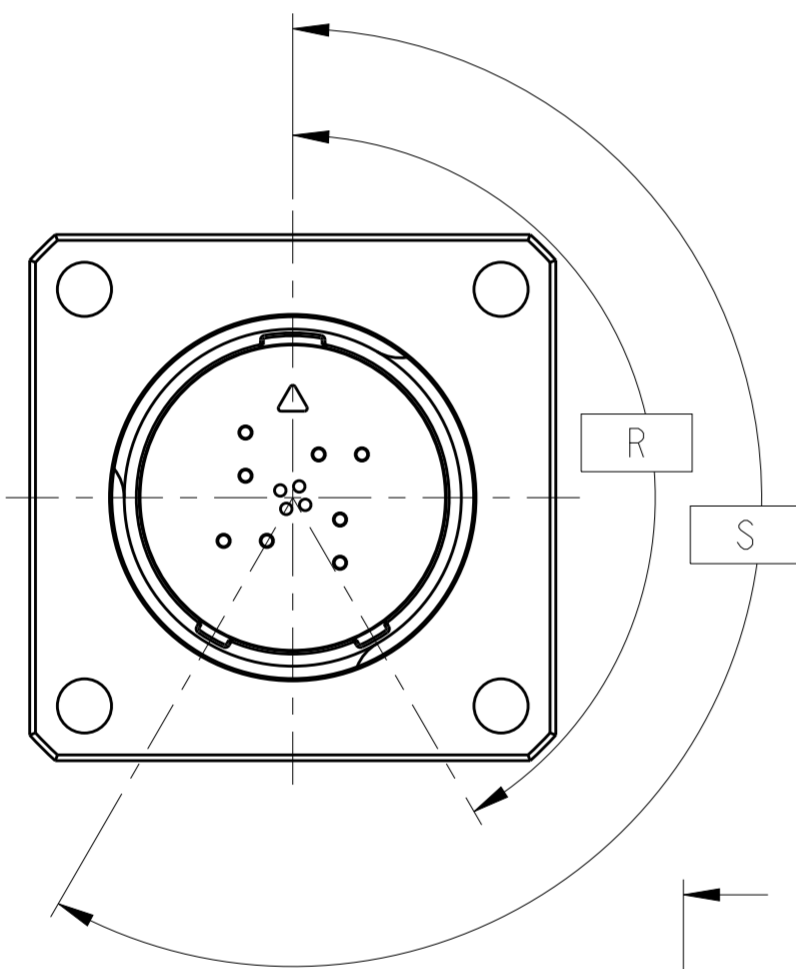
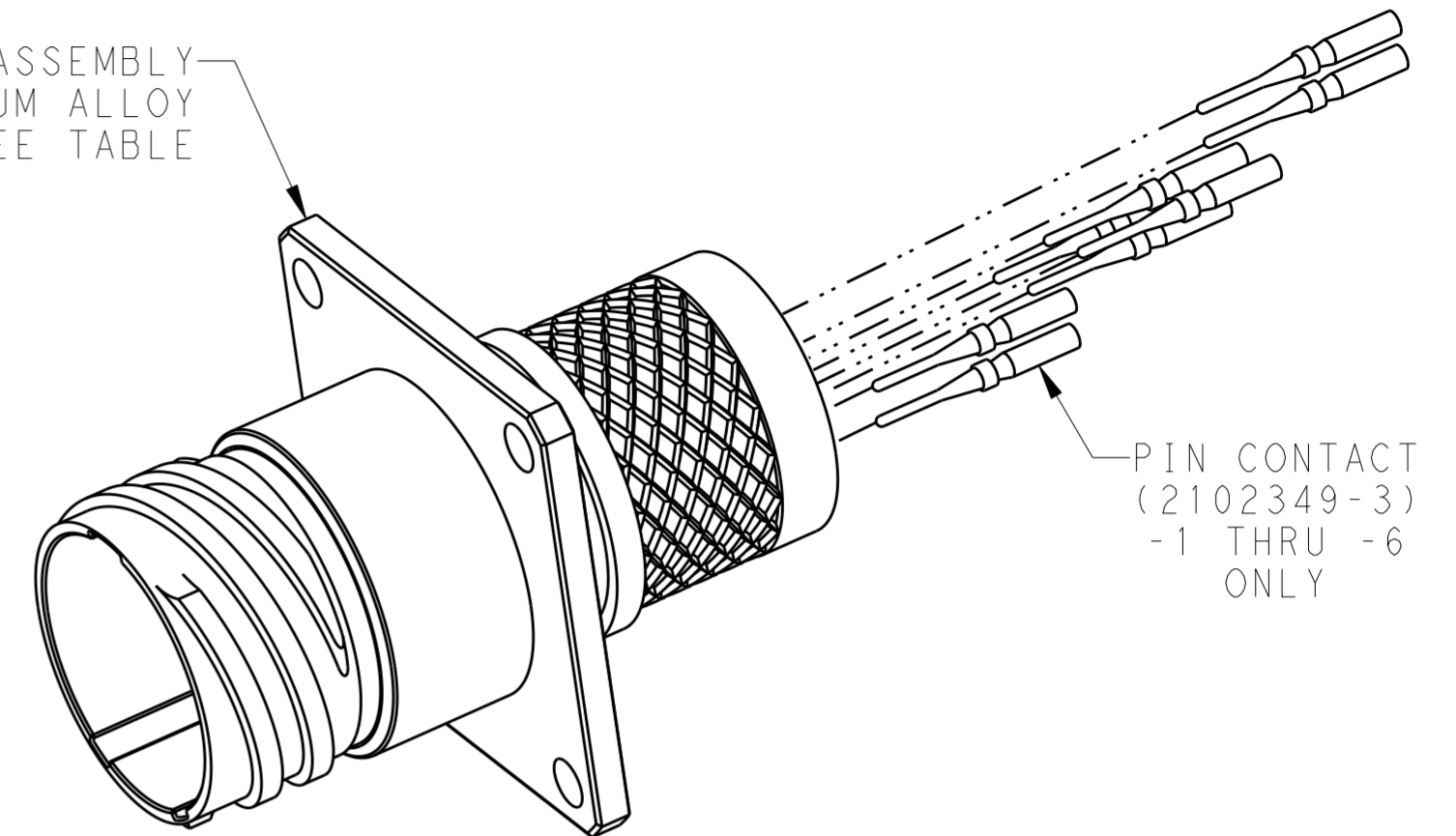


P	LTR	DESCRIPTION	DATE	DWN	APVD
E		REV PER ECO 20-012260	9-2-20	CT	DM

KEY OPTION	KEY ROTATION	
	"R"	"S"
NORMAL	150°	210°
A	140°	215°
B	132°	248°



RECEPTACLE ASSEMBLY  
SHELL MAT'L: ALUMINUM ALLOY  
FINISH: SEE TABLE



---	NORMAL	BLACK ZINC NICKEL PLATE	2102343-8
---	NORMAL	NICKEL PLATE	2102343-7
10	B	BLACK ZINC NICKEL PLATE	2102343-6
10	B	NICKEL PLATE	2102343-5
10	A	BLACK ZINC NICKEL PLATE	2102343-4
10	A	NICKEL PLATE	2102343-3
10	NORMAL	BLACK ZINC NICKEL PLATE	2102343-2
10	NORMAL	NICKEL PLATE	2102343-1
PIN CONTACT QTY 50um GOLD PLATE	KEYING OPTION	FINISH	PART NUMBER

THIS DRAWING IS A CONTROLLED DOCUMENT. DIMENSIONING AND TOLERANCING PER ASME Y14.5M (ISO STANDARDS)

DWN: MCKIBBEN, JOHN (16DEC2011)  
CHK: DOWHOWER, KENNETH (16DEC2011)  
APVD: DOWHOWER, KENNETH (16DEC2011)

TE Connectivity

RECEPTACLE ASSEMBLY KIT

108-2482  
114-32025

SIZE: A2 CAGE CODE: 00779 DRAWING NO: C-2102343

SCALE: 3:1 SHEET: 1 OF 1 REV: E

单击下面可查看定价，库存，交付和生命周期等信息

[>>TE Connectivity\(泰科\)](#)