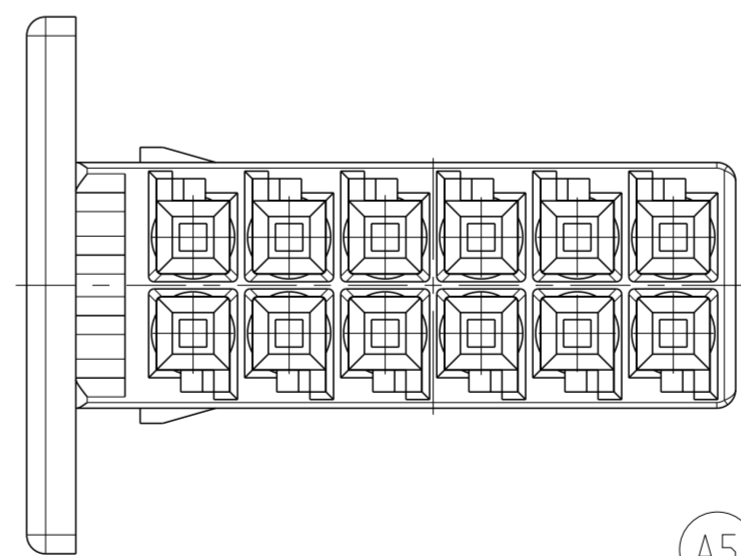
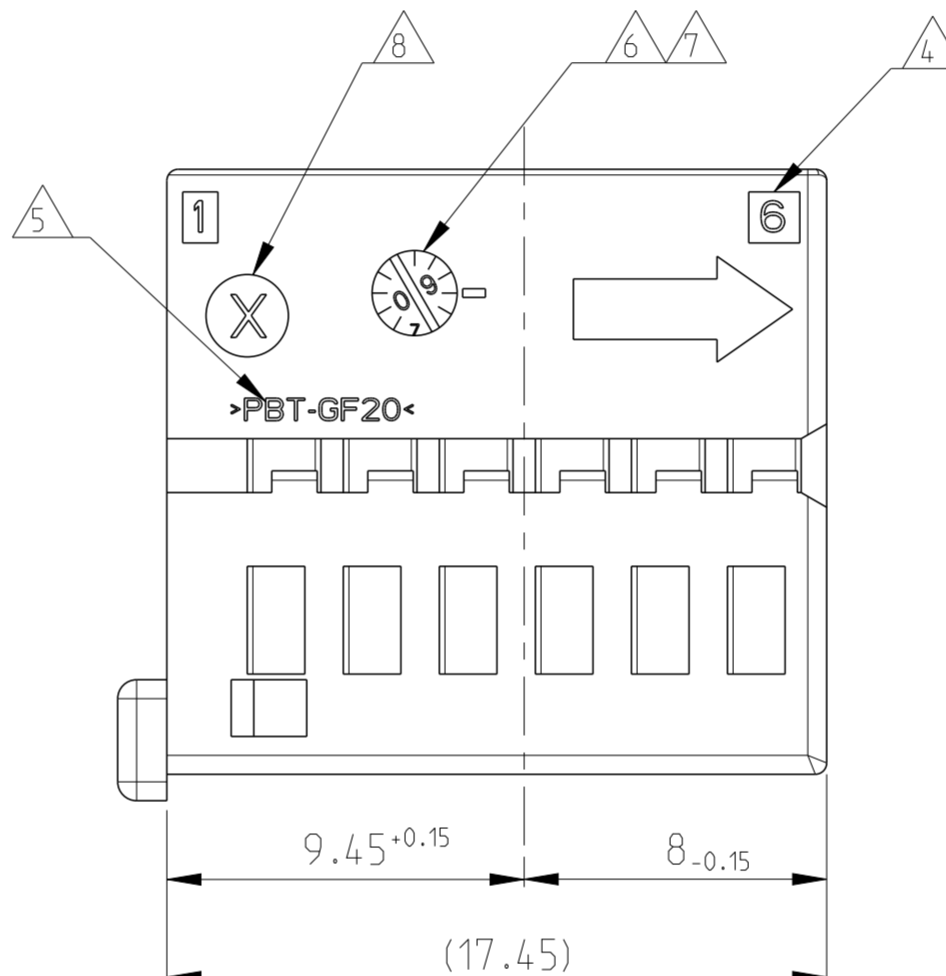
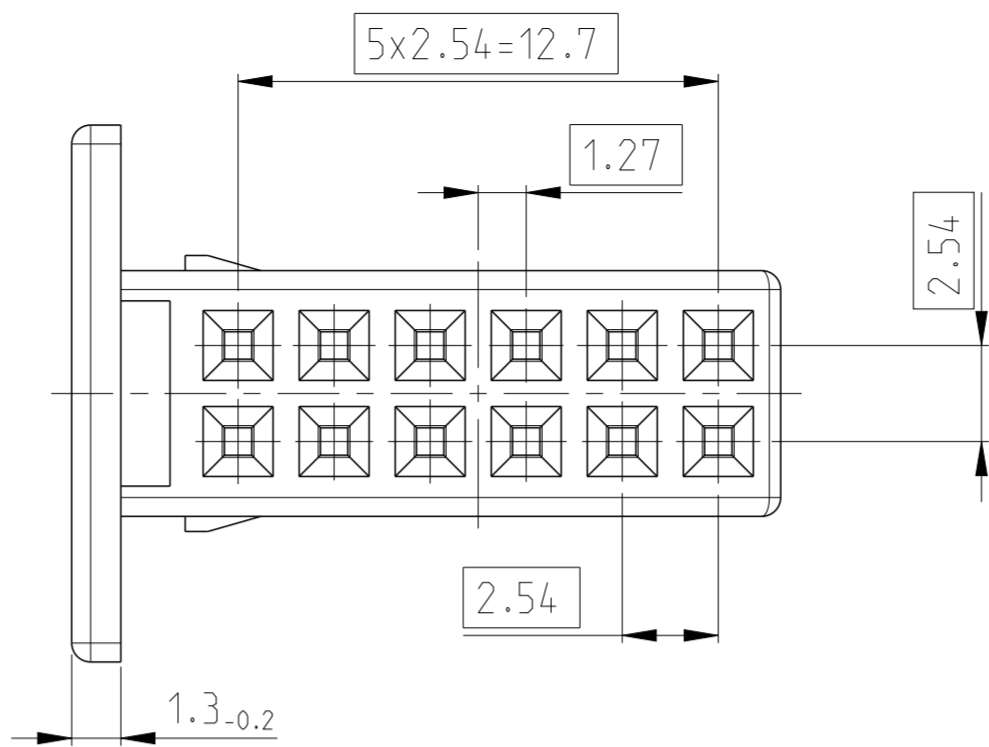
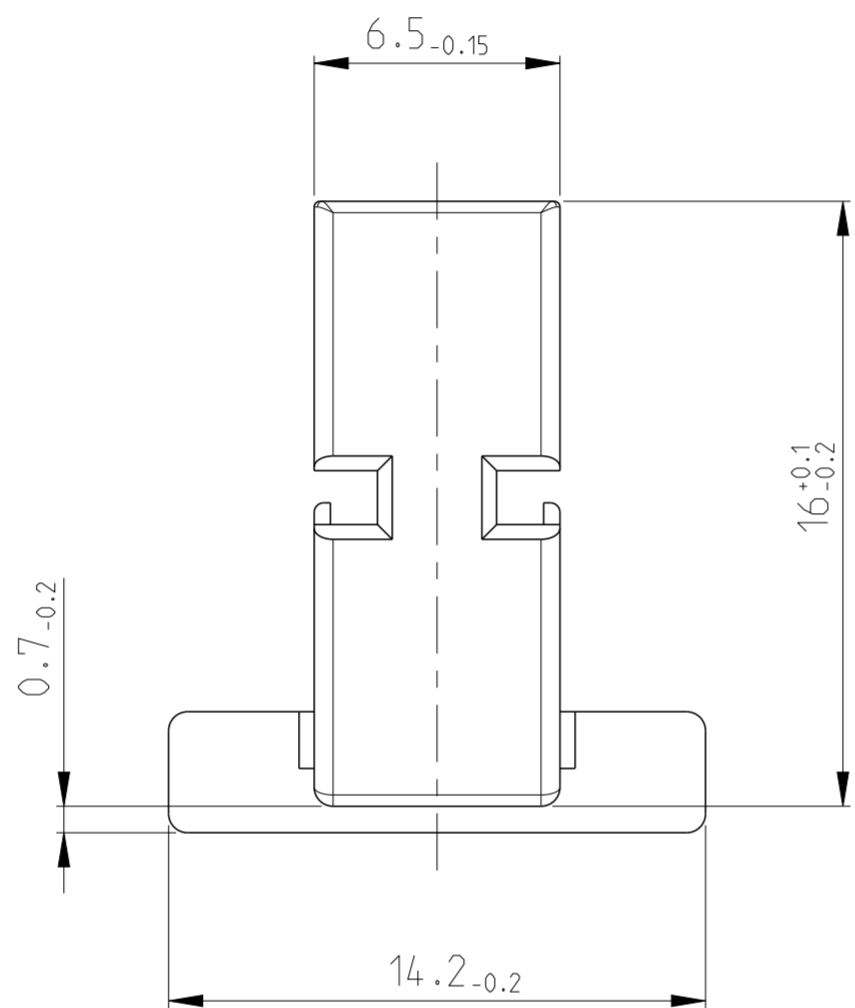
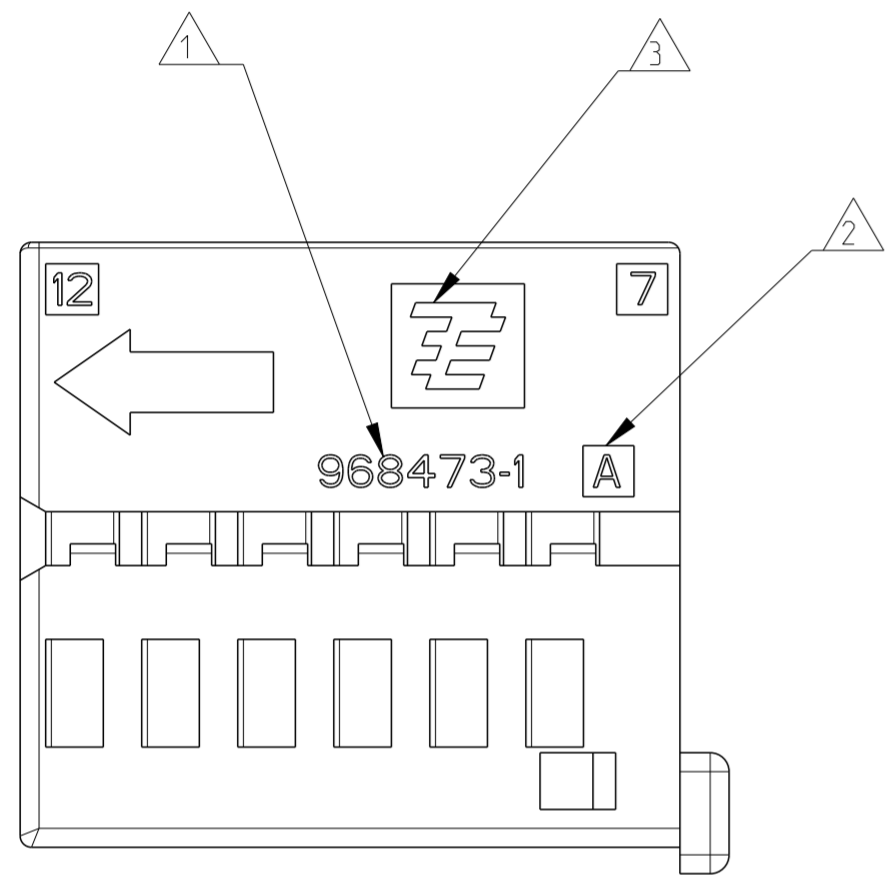


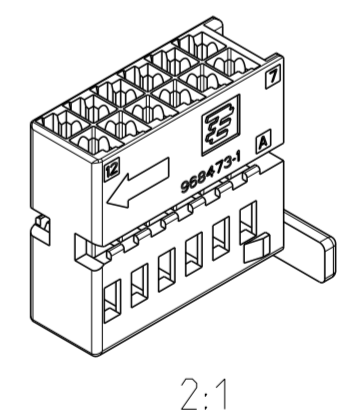
THIS DRAWING IS UNPUBLISHED. RELEASED FOR PUBLICATION 2009
 © COPYRIGHT 2009 BY TYCO ELECTRONICS CORPORATION. ALL RIGHTS RESERVED.

REVISIONS					
P	LTR	DESCRIPTION	DATE	DWN	APVD
A4		SEE E-09-013247	20MAY2009	FU	MR
A5		SEE ECR-18-017143	30OCT2018	KC	PT



- NOTES
BEMERKUNGEN
- NV NOTE NOT VALID
Bemerkung nicht verwendet
 - 1 ORDER NUMBER
BESTELL-NUMMER
 - 2 REVISION NUMBER
WERKZEUGÄNDERUNGSINDEX
 - 3 TE LOGO
 - 4 CONTACT CAVITY NUMBER
KONTAKTKAMMERNUMMER
 - 5 MATERIAL MARKING
WERKSTOFFKENNZEICHNUNG
 - 6 PRODUCTION DATE
PRODUKTIONSdatum
 - 7 PRE-SERIES PART WITH CONDITIONAL RELEASE
MARKED WITH CONDITIONING CLOCK
INSTEAD OF DATE CLOCK
VORSERIENTEIL MIT BEDINGTER FREIGABE
MARKIERT MIT ÄNDERUNGSUHR
ANSTELLE DER DATUMSUHR
 - 8 TOOL CAVITY MARKING
NESTMARKIERUNG
 - 9 PACKAGING: BULK MATERIAL IN CARDBOARD BOX
VERPACKUNG: SCHUETTGUT IN KARTON
 - NV PACKAGING: LAYERS IN CARDBOARD BOX
VERPACKUNG: LAGENWEISE IN KARTON

12POS. CONNECTOR CONTAINS :
 12 pol. Steckverbinder besteht aus :
 967646-x 12POS. PINHEADER / 12pol. Stiftleiste
 929051-1 COVER WITH LEVER / Abdeckkappe mit Hebel
 968473-1 12POS. MQS HOUSING / 12pol. MQS-Gehaeuse



2:1

968473	1	A	12POS. SOCKET HOUSING	PBT-GF20	BLACK / schwarz	1.2	1
TE ORDER NO TE BESTELLNUMMER	REV	DESCRIPTION NAME	MATERIAL	SURFACE COLOR	WEIGHT GEWICHT [g]	ITEM NO	
THIS DRAWING IS A CONTROLLED DOCUMENT.			DWN E. Ullrich 20MAY2009	TE Connectivity			
			CHK R. Reinhardt 03JUN2009				
DIMENSIONS: mm		TOLERANCES UNLESS OTHERWISE SPECIFIED:		NAME		12POS. SOCKET HOUSING FOR MQS 12pol. Buchsengehäuse fuer MQS	
		1 PLC ±0.3 2 PLC ± 3 PAC ± PLC ± ANGLES ±2° FINISH		PRODUCT SPEC 108-185466-0		SIZE CAGE CODE DRAWING NO RESTRICTED TO	
MATERIAL				APPLICATION SPEC 114-18173-0		A2 00779 C-968473	
				WEIGHT 1.2g		SCALE 5:1 SHEET 1 OF 1 REV A5	
CUSTOMER DRAWING							

0-0963715-1	0-0963729-1	0.75	CuNiSi	PRETINNED
0-0928999-1	0-0963726-1	0.2-0.5	CuNiSi	PRETINNED
TE ORDER NO STRIP FORM	TE ORDER NO LOOSE PIECE	WIRE RANGE MM ²	MATERIAL	FINISH
RECOMMENDED CONTACT SYSTEM: MQS; UNSEALED				

单击下面可查看定价，库存，交付和生命周期等信息

[>>TE Connectivity\(泰科\)](#)