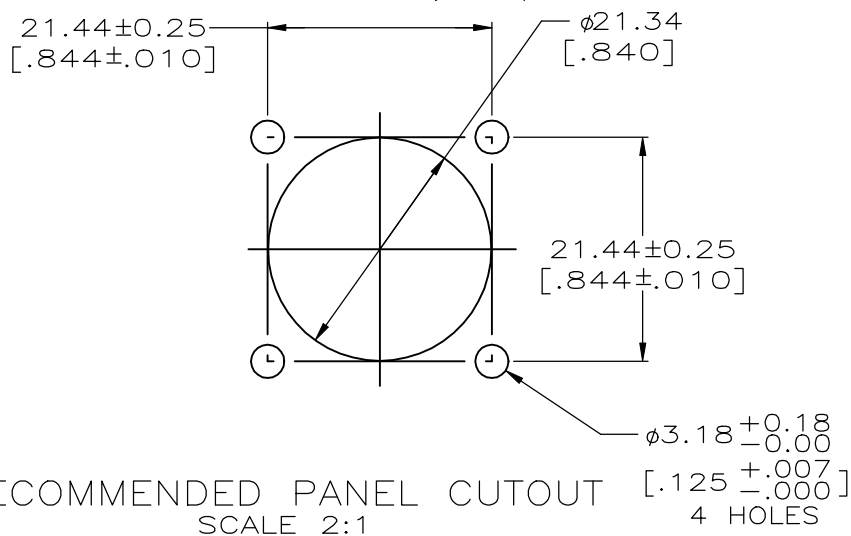
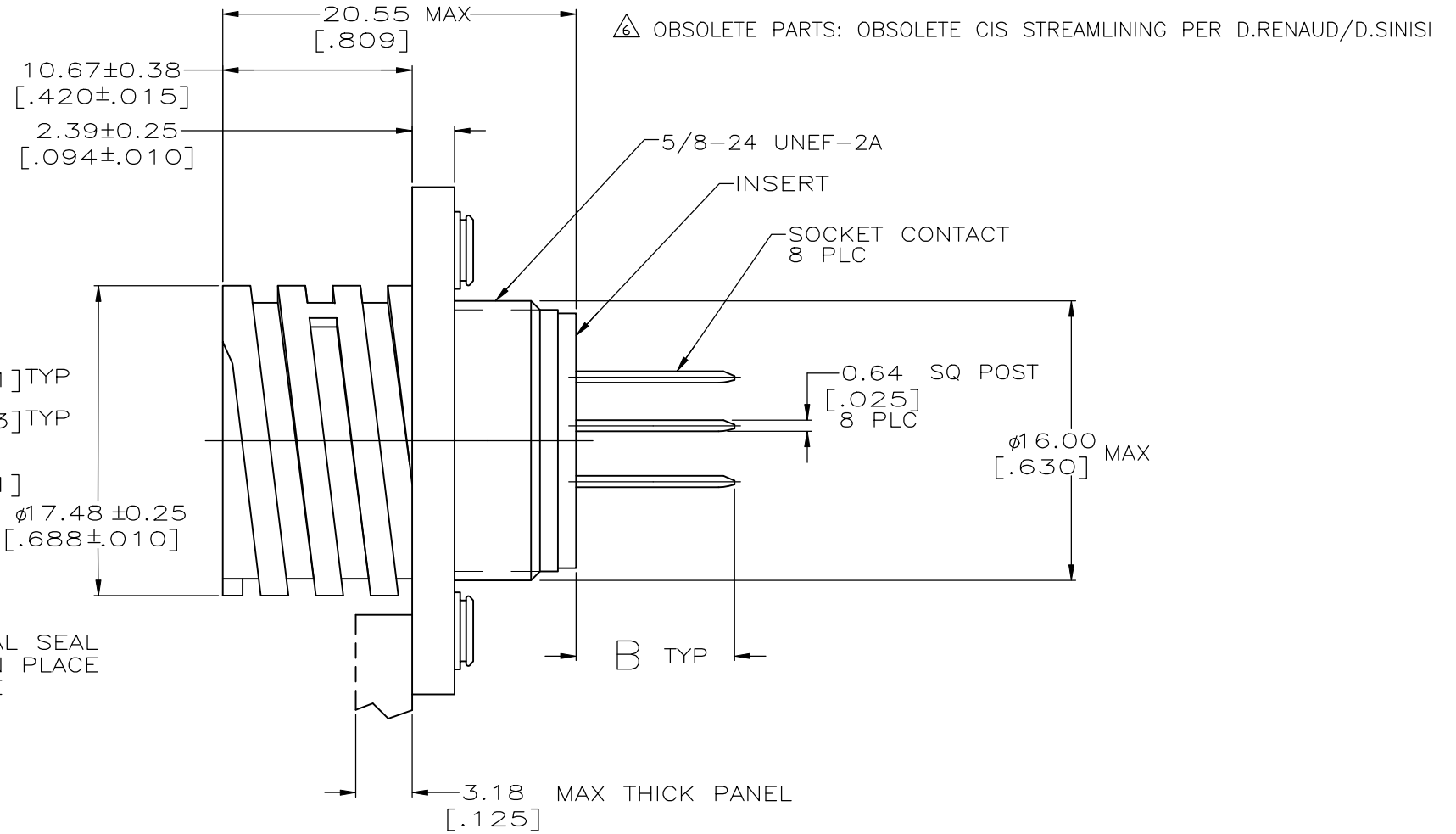
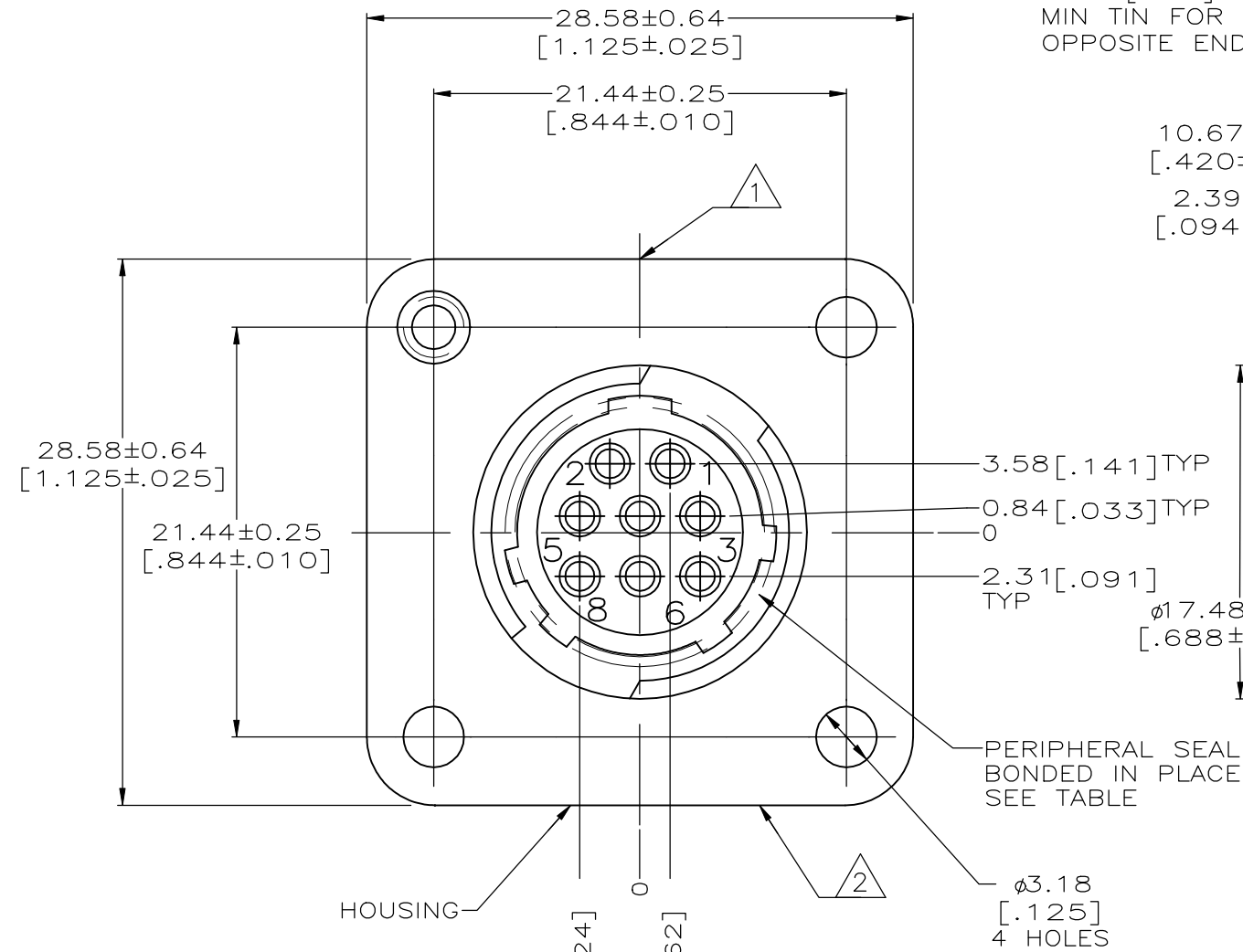


THIS DRAWING IS UNPUBLISHED. RELEASED FOR PUBLICATION ALL RIGHTS RESERVED.

REVISIONS				
P	LTR	DESCRIPTION	DATE	APVD
	H1	REVISED PER ECO-09-021510	11SEP09	KK AEG
	J	REVISED PER ECO-17-004657	05APR2017	RS MZ
	K	REVISED PER ECO-19-001927	07FEB2019	RS MZ

- 1 AMP MOLDED ON THIS SURFACE.
- 2 PART NUMBER AND DATE CODE MARKED ON THIS SURFACE.
- 3 NYLON, GLASS FILLED, FLAME RETARDANT, BLACK.
- 4 0.76um [.000030] MIN GOLD FOR A LENGTH OF 2.54 [.100] MIN FROM MATING END, 2.54um [.000100] MIN TIN-LEAD FOR A LENGTH OF 9.70 [.382] MIN FROM OPPOSITE END, BOTH OVER 1.27um [.000050] MIN NICKEL.
- 5 0.76um [.000030] MIN GOLD FOR A LENGTH OF 2.54 [.100] MIN FROM MATING END, 2.54um [.000100] MIN TIN FOR A LENGTH OF 9.70 [.382] MIN FROM OPPOSITE END, BOTH OVER 1.27um [.000050] MIN NICKEL.



FINISH	PERIPHERAL SEAL	THREADED INSERT	DIM B	PART NUMBER
5	NO	NO	8.94±0.76 [.352±.030]	1-208657-1
5	NO	YES	14.58±0.76 [.574±.030]	1-208657-0
5	NO	NO	12.17±0.76 [.479±.030]	208657-9
4	NO	NO	12.17±0.76 [.479±.030]	208657-8
4	YES	YES	14.58±0.76 [.574±.030]	208657-7
4	NO	NO	8.94±0.76 [.352±.030]	208657-6
4	NO	YES	14.58±0.76 [.574±.030]	208657-5
4	NO	YES		208657-4
4	NO	NO		208657-3
4	NO	NO	8.94±0.76 [.352±.030]	208657-2
4	NO	NO	8.94±0.76 [.352±.030]	208657-1

THIS DRAWING IS A CONTROLLED DOCUMENT.

DIMENSIONS: mm	TOLERANCES UNLESS OTHERWISE SPECIFIED:	DWN L. SIPE 05/16/90	TE Connectivity
	0 PLC ± - 1 PLC ± - 2 PLC ± 0.13 [.005] 3 PLC ± - 4 PLC ± - ANGLES ± -	CHK J. McCLINTON 5/30/90 APVD M. KAPEZYNSKI 5/30/90 PRODUCT SPEC 108-10024 APPLICATION SPEC -	
MATERIAL: #40 THREADED INSERTS: BRASS; HOUSING AND INSERT: NYLON; SOCKET CONTACTS: PHOSPHOR BRONZE	FINISH: -	WEIGHT: A2 00779	SIZE: A2 CAGE CODE: 00779 DRAWING NO: 208657 RESTRICTED TO: -

CUSTOMER DRAWING SCALE 4:1 SHEET 1 OF 1 REV K

单击下面可查看定价，库存，交付和生命周期等信息

[>>TE Connectivity\(泰科\)](#)