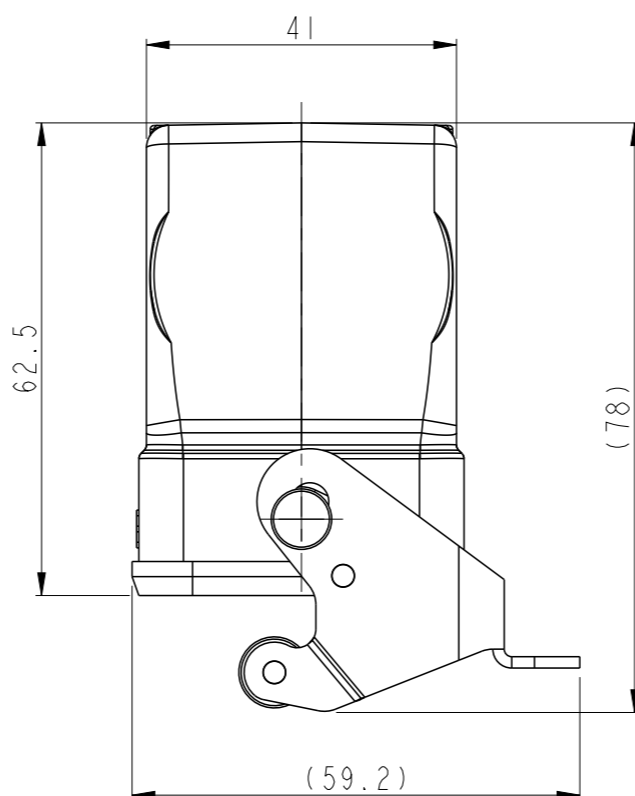
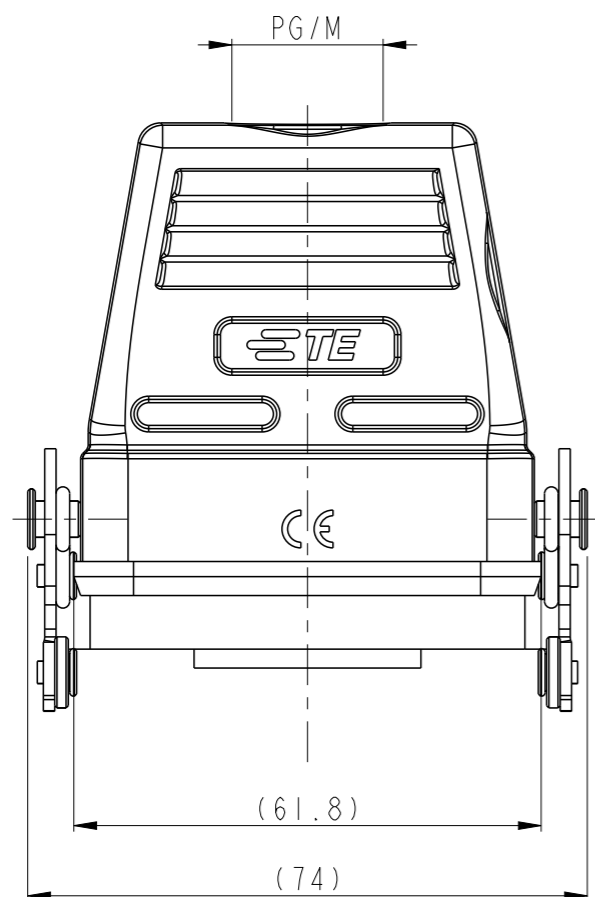


REVISIONS

P	LTR	DESCRIPTION	DATE	DWN	APVD
	A	INITIAL	23JUN2015	DW	CW
	A1	ECR-15-012067	10AUG2015	DW	CW
	A2	ECR-16-010249	15JUL2016	CH	CW
	B	ECR-20-007968	22JUN2020	WQR	CW

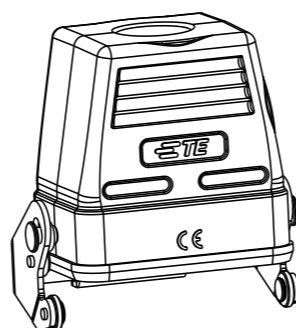
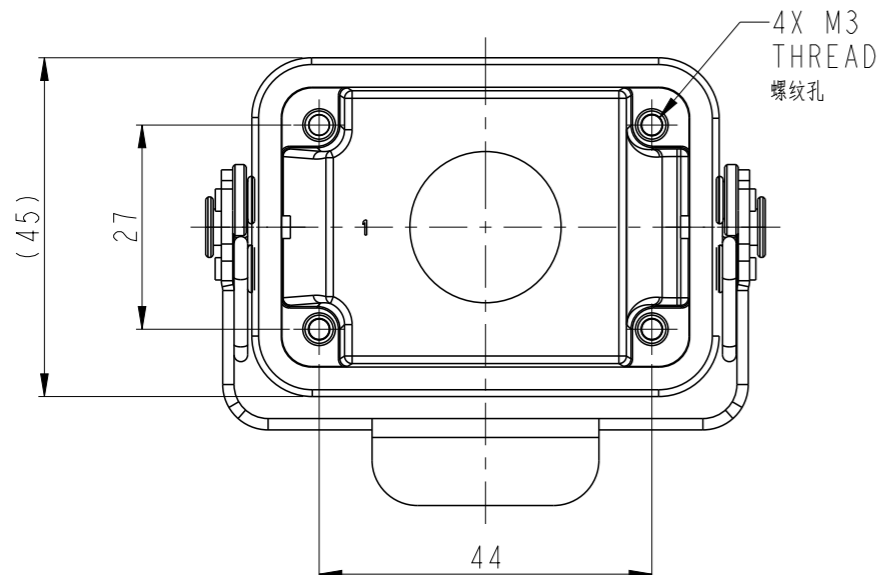


NOTES:

- 1. TECHNICAL CHARACTERISTICS:
HOOD MATERIAL: DIE CAST ALUMINIUM ALLOY
SURFACE: POWDER COATED, GRAY
DEGREE OF PROTECTION: IP65 (MATED)

注释:

- 1. 技术参数:
壳体材料: 铝合金
表面处理: 灰色粉末喷涂
防护等级: IP65(配合)

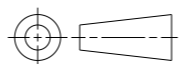


SCALE 1:2

TI730062116-000	H6B-TBFS-PG16	H6B HOUSING, CABLE TO CABLE, STAINLESS STEEL SINGLE LOCKING, PG16, POWDER COATED, GRAY H6B下壳, 电缆对接, 不锈钢单扣, PG16, 灰色粉末喷涂	PG16
TI730062120-000	H6B-TBFS-M20	H6B HOUSING, CABLE TO CABLE, STAINLESS STEEL SINGLE LOCKING, M20, POWDER COATED, GRAY H6B下壳, 电缆对接, 不锈钢单扣, M20, 灰色粉末喷涂	M20
TI730062125-000	H6B-TBFS-M25	H6B HOUSING, CABLE TO CABLE, STAINLESS STEEL SINGLE LOCKING, M25, POWDER COATED, GRAY H6B下壳, 电缆对接, 不锈钢单扣, M25, 灰色粉末喷涂	M25
TI730062132-000	H6B-TBFS-M32	H6B HOUSING, CABLE TO CABLE, STAINLESS STEEL SINGLE LOCKING, M32, POWDER COATED, GRAY H6B下壳, 电缆对接, 不锈钢单扣, M32, 灰色粉末喷涂	M32
PART NUMBER 料号	PART DESCRIPTION 描述		PG/M PG/M螺纹孔

THIS DRAWING IS A CONTROLLED DOCUMENT.

DIMENSIONS:
mm



TOLERANCES UNLESS OTHERWISE SPECIFIED:

0 PLC	±-
1 PLC	±-
2 PLC	±-
3 PLC	±-
4 PLC	±-
ANGLES	±-
FINISH	-

MATERIAL

DWN 23JUN2015

DAVID.WANG

CHK 23JUN2015

CHRIS.WANG

APVD 23JUN2015

XIANG.XU

PRODUCT SPEC

108-137013

APPLICATION SPEC

114-137013

WEIGHT

-

Customer Drawing

NAME H6B-TBFS-M/PG

SIZE A3

CAGE CODE 00779

DRAWING NO. C-TI7300621XX000

RESTRICTED TO -

SCALE 1:1

SHEET 1 OF 1

REV B



TE Connectivity

单击下面可查看定价，库存，交付和生命周期等信息

[>>TE Connectivity\(泰科\)](#)