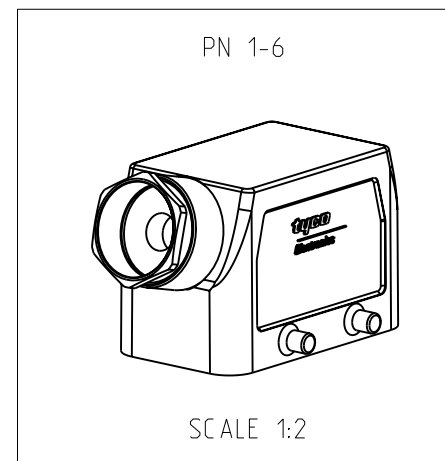
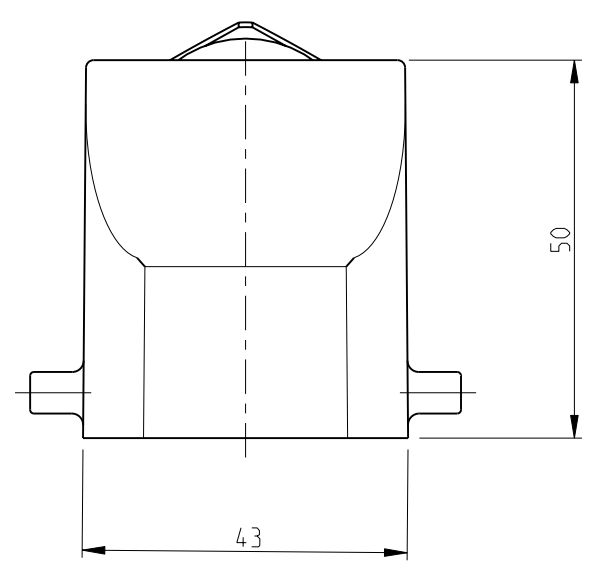
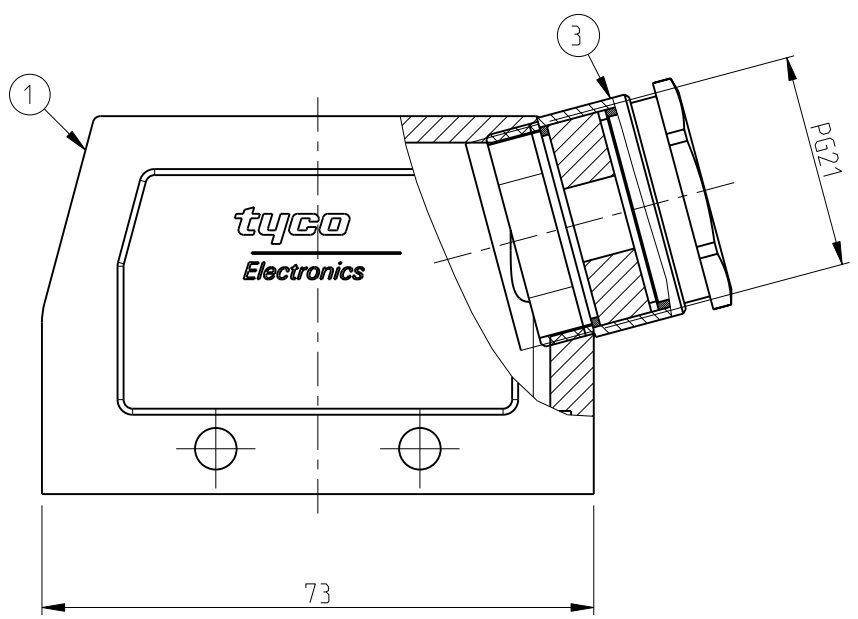


THIS DRAWING IS UNPUBLISHED. RELEASED FOR PUBLICATION .1997
 © COPYRIGHT 1997 BY TYCO ELECTRONICS CORPORATION. ALL RIGHTS RESERVED.

| LOC | DIST | REVISIONS | | | | |
|-----|------|-------------|-------------------------------|----------|------|----|
| P | LTR | DESCRIPTION | DATE | DWN | APVD | |
| A1 | - | A3 | Released as per ECR-07-030422 | 17.12.07 | SP | TS |

- NOTES.
- 1 Material:Housing:Aluminium Diecasting Alloy
 - 2 Surface-Powder Varnish Grey
-Aluminium Oxide +
Varnish Black
 - 3 Varnish on the inside not necessary
 - 4 Packaging
Quantity 5 Pieces in a box

PN 1-6



| QTY | DESCRIPTION | MATERIAL | SURFACE | COLOR | ITEM NO | REMARKS |
|-----|------------------------|-----------------|-----------------|-------|---------|---------|
| 4 | VS-Clip bolt | Stainless steel | - | | 5 | |
| 1 | HUT-Gland fitting PG21 | Brass | Nickel plated | | 4 | - |
| 1 | PG-Gland fitting PG21 | Brass | Nickel plated | | 3 | - |
| 1 | Hood HB.10.PG.1.21 | Aluminium | Aluminium oxide | Black | 2 | - |
| 1 | Hood HB.10.PG.1.21 | Aluminium | | Grey | 1 | - |

ORDERING TEXT
 HB.10.STS.1.21
 HB-K.10.Sts.1.21

THIS DRAWING IS A CONTROLLED DOCUMENT FOR TYCO ELECTRONICS CORPORATION
 IT IS SUBJECT TO CHANGE AND THE CONTROLLING ENGINEERING ORGANIZATION
 SHOULD BE CONTACTED FOR THE LATEST REVISION.

| | |
|-------------|--|
| DIMENSIONS: | TOLERANCES UNLESS OTHERWISE SPECIFIED: |
| mm | n. ISO 2768-mS-E n. DIN 16761-120 |
| 0 PLC | ± |
| 1 PLC | ± |
| 2 PLC | ± |
| 3 PLC | ± |
| 4 PLC | ± |
| ANGLES | ± |
| MATERIAL | FINISH |
| - | - |

| | | | |
|------------------|-----------|----------|--|
| DWN | Schneider | 29.10.98 | Tyco Electronics.AMP.GmbH D-53819.Neunkirchen.Germany |
| CHK | Kramer | 29.10.98 | |
| APVD | - | - | |
| PRODUCT SPEC | | | NAME |
| 114-74004 | | | |
| APPLICATION SPEC | | | RESTRICTED TO |
| 108-74003 | | | |
| WEIGHT | - | | SIZE |
| CUSTOMER DRAWING | | SCALE | CAGE CODE |
| | | 1:1 | 00779 |
| | | SHEET | DRAWING NO |
| | | 1 OF 1 | ©=1102262 |
| | | REV | |
| | | | A3 |

单击下面可查看定价，库存，交付和生命周期等信息

[>>TE Connectivity\(泰科\)](#)