

4

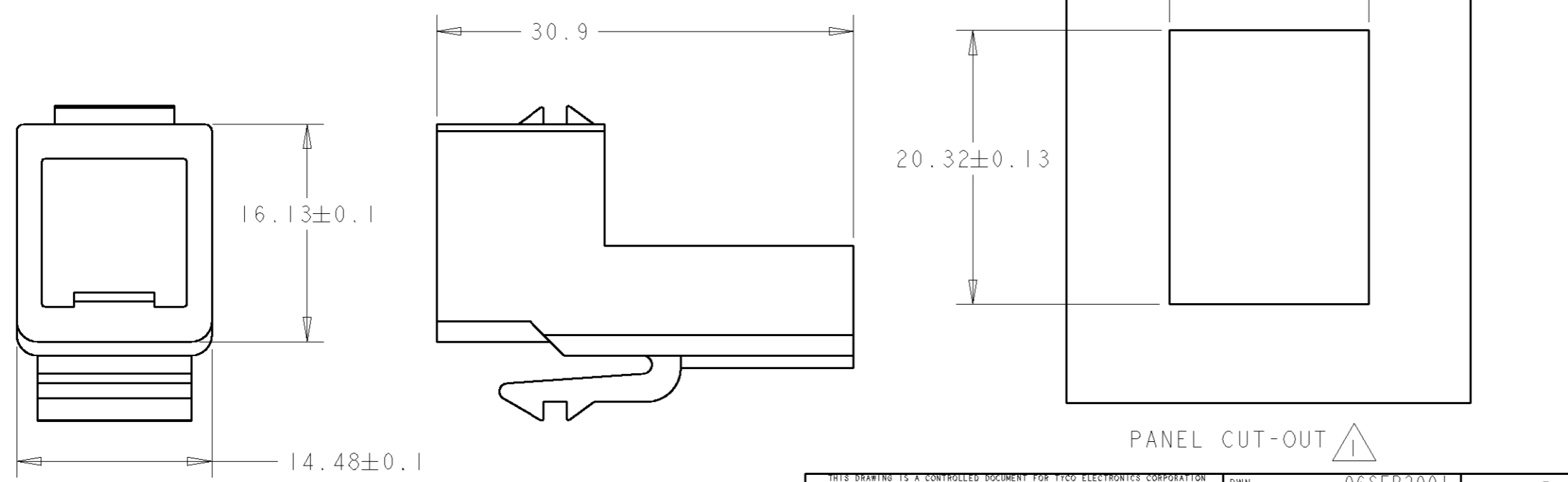
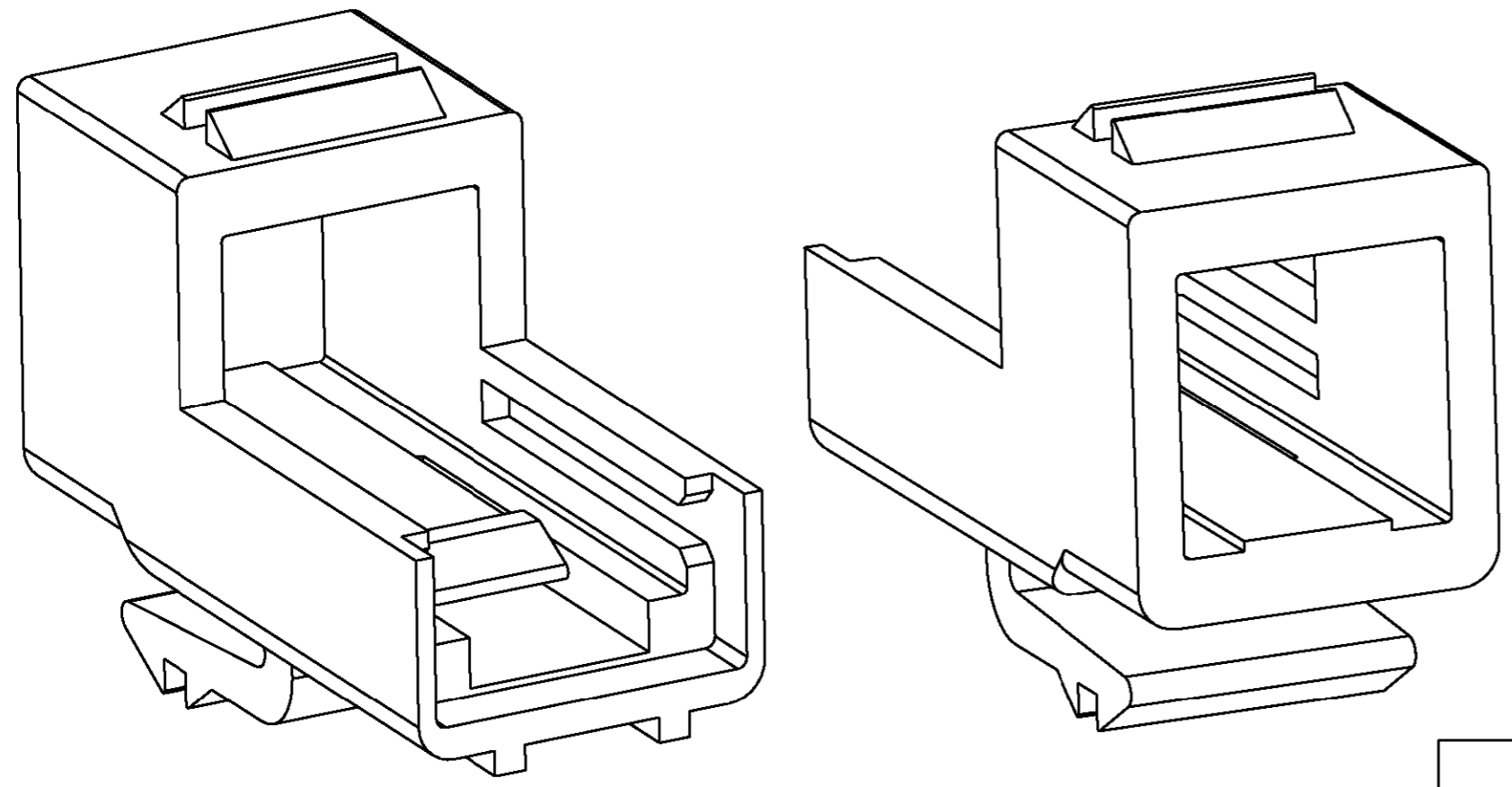
3

2

1

THIS DRAWING IS UNPUBLISHED. RELEASED FOR PUBLICATION 20  
 © COPYRIGHT 20 BY TYCO ELECTRONICS CORPORATION. ALL RIGHTS RESERVED.

LOC	DIST	REVISIONS					
		P	LTR	DESCRIPTION	DATE	DWN	APVD
CE	00		O	RELEASE PER NPR 00-124	06SEP2001	BB	BE
			A	REVISE PER 0A00-0508-03	16OCT2003	BB	DR
			B	REVISE PER 0A00-0413-04	19AUG2004	BB	DK
			C	REVISE PER 0A00-0096-05	03MAR2005	BB	DK



SLATE	2-1374416-6
BROWN	2-1374416-5
AQUA	2-1374416-4
ROSE	2-1374416-3
ELECT. IVORY	1-1374416-1
VIOLET	1-1374416-0
GREEN	1374416-9
YELLOW	1374416-8
RED	1374416-7
BLUE	1374416-6
ORANGE	1374416-5
GRAY	1374416-4
WHITE	1374416-3
BLACK	1374416-2
ALMOND	1374416-1
COLOR	PART NUMBER

⚠ PANEL THICKNESS IS 1.65/1.50mm.  
 2. BULK PACKAGE, 6 PCS.

<small>THIS DRAWING IS A CONTROLLED DOCUMENT FOR TYCO ELECTRONICS CORPORATION          IT IS SUBJECT TO CHANGE AND THE CONTROLLING ENGINEERING ORGANIZATION          SHOULD BE CONTACTED FOR THE LATEST REVISION.</small>		DWN B. BRIGGS 06SEP2001 CHK B. BRIGGS 06SEP2001 APVD B. EDWARDS 06SEP2001	Tyco Electronics Harrisburg, PA 17105-3608
DIMENSIONS: mm	TOLERANCES UNLESS OTHERWISE SPECIFIED: 0 PLC ±0.1 1 PLC ±0.1 2 PLC ±0.05 3 PLC ± 4 PLC ± ANGLES ±	PRODUCT SPEC - APPLICATION SPEC - WEIGHT -	NAME CONNECTOR JACK HOUSING, 39mm, MT-RJ FIELD TERMINATION
MATERIAL -	FINISH -	CUSTOMER DRAWING	SIZE A3 CAGE CODE 00779 DRAWING NO C-1374416 RESTRICTED TO - SCALE 4:1 SHEET 1 OF 1 REV C

单击下面可查看定价，库存，交付和生命周期等信息

[>>TE Connectivity\(泰科\)](#)