

4

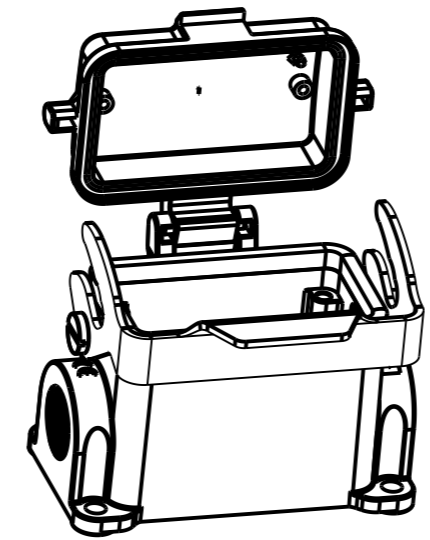
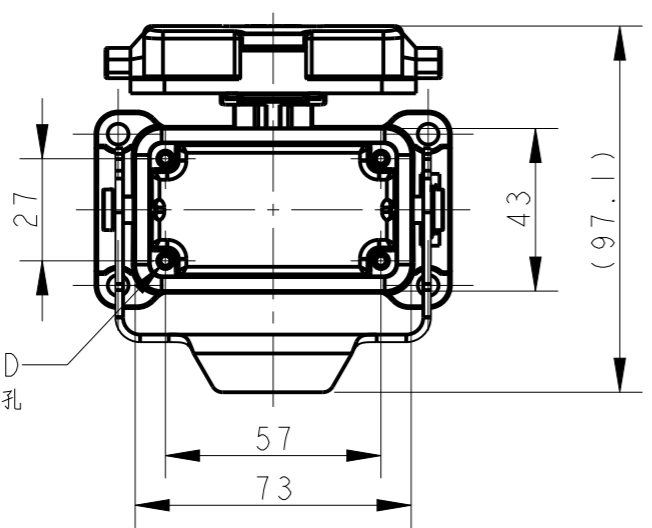
3

2

1

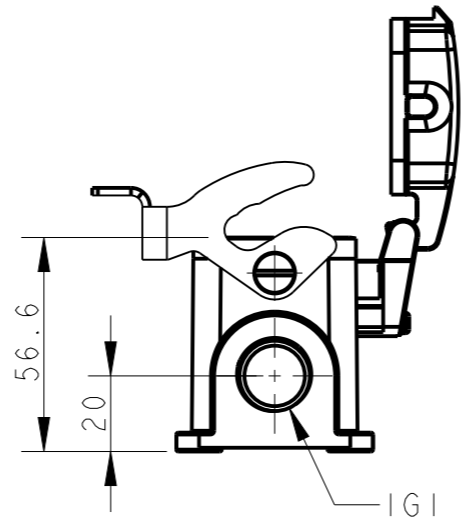
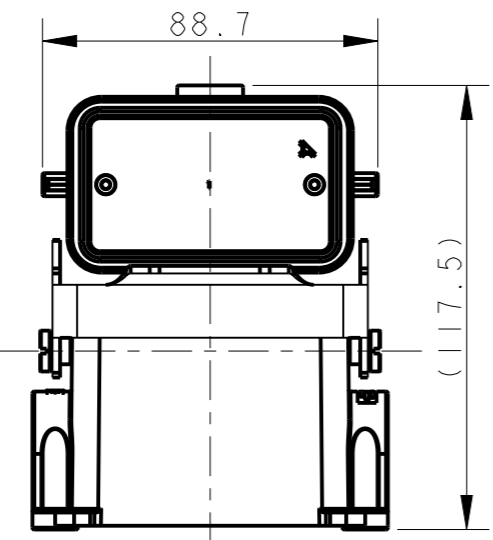
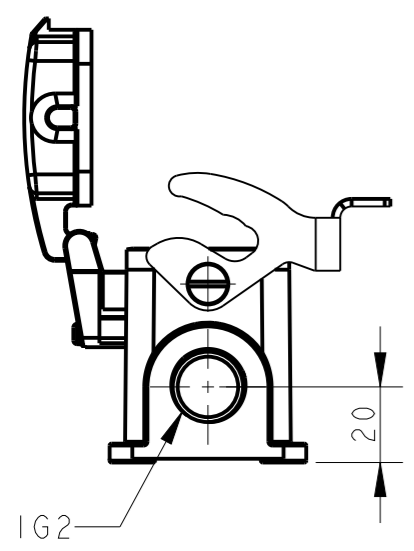
THIS DRAWING IS UNPUBLISHED. RELEASED FOR PUBLICATION 20
© COPYRIGHT 20 BY - ALL RIGHTS RESERVED.

REVISIONS					
P	LTR	DESCRIPTION	DATE	DWN	APVD
	A	INITIAL RELEASE	25JUN2015	DL	CW
	A1	ECR-18-017123	17DEC2018	KW	CW
	B	ECR-20-008181	16JUL2020	WQR	CW

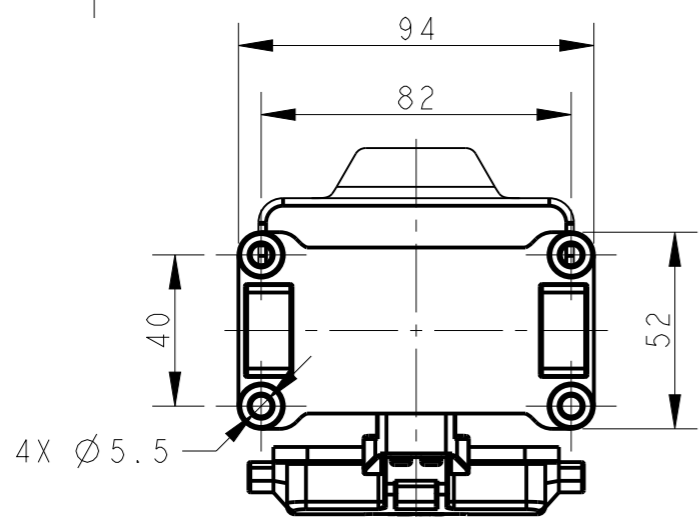


NOTES:
1. TECHNICAL CHARACTERISTICS:
BODY MATERIAL: DIE CAST ALUMINIUM ALLOY
SURFACE TREATMENT: POWDER-COATED, GRAY
DEGREE OF PROTECTION: IP65 (MATED)

注释:
1. 技术参数:
主体材料: 铝合金
表面处理: 粉末喷涂, 灰色
防护等级: IP65(配合)



PART NUMBER	料号	PART DESCRIPTION	描述	IG1 螺纹孔1	IG2 螺纹孔2	TYPE 类型
TI620103116-000	H10B-SDR-LB-PG16	H10B HOUSING,SURFACE MOUNTED,METAL SINGLE LOCKING,PG16, PLASTIC PROTECTION COVER,POWDER COATED,GREY H10B下壳,表面安装,彩锌单扣,PG16,带塑料保护盖,灰色粉末喷涂		PG16	-	
TI620103120-000	H10B-SDR-LB-M20	H10B HOUSING,SURFACE MOUNTED,METAL SINGLE LOCKING,M20, PLASTIC PROTECTION COVER,POWDER COATED,GREY H10B下壳,表面安装,彩锌单扣,M20,带塑料保护盖,灰色粉末喷涂		M20	-	
TI620103121-000	H10B-SDR-LB-PG21	H10B HOUSING,SURFACE MOUNTED,METAL SINGLE LOCKING,PG21, PLASTIC PROTECTION COVER,POWDER COATED,GREY H10B下壳,表面安装,彩锌单扣,PG21,带塑料保护盖,灰色粉末喷涂		PG21	-	
TI620103125-000	H10B-SDR-LB-M25	H10B HOUSING,SURFACE MOUNTED,METAL SINGLE LOCKING,M25, PLASTIC PROTECTION COVER,POWDER COATED,GREY H10B下壳,表面安装,彩锌单扣,M25,带塑料保护盖,灰色粉末喷涂		M25	-	TYPE 1
TI620103216-000	H10B-SDR-LB-2PG16	H10B HOUSING,SURFACE MOUNTED,METAL SINGLE LOCKING,2PG16, PLASTIC PROTECTION COVER,POWDER COATED,GREY H10B下壳,表面安装,彩锌单扣,2PG16,带塑料保护盖,灰色粉末喷涂		PG16	PG16	
TI620103220-000	H10B-SDR-LB-2M20	H10B HOUSING,SURFACE MOUNTED,METAL SINGLE LOCKING,2M20, PLASTIC PROTECTION COVER,POWDER COATED,GREY H10B下壳,表面安装,彩锌单扣,2M20,带塑料保护盖,灰色粉末喷涂		M20	M20	
TI620103225-000	H10B-SDR-LB-2M25	H10B HOUSING,SURFACE MOUNTED,METAL SINGLE LOCKING,2M25, PLASTIC PROTECTION COVER,POWDER COATED,GREY H10B下壳,表面安装,彩锌单扣,2M25,带塑料保护盖,灰色粉末喷涂		M25	M25	



TYPE 1: H10B HOUSING,SURFACE MOUNTED,METAL SINGLE LOCKING, PLASTIC PROTECTION COVER,POWDER COATED,GREY
类型1: H10B下壳,表面安装,彩锌单扣,带塑料保护盖,灰色粉末喷涂

THIS DRAWING IS A CONTROLLED DOCUMENT.

DWN	DAVID LI	25JUN2015	 TE Connectivity
CHK	CHRIS WANG	25JUN2015	
APVD	XU XIANG	25JUN2015	
NAME	H10B-SDR-LB-PG/M		
DIMENSIONS:	mm	TOLERANCES UNLESS OTHERWISE SPECIFIED:	PRODUCT SPEC
		0 PLC ±-	108-137013
		1 PLC ±-	APPLICATION SPEC
		2 PLC ±-	114-137013
		3 PLC ±-	WEIGHT
		4 PLC ±-	-
		ANGLES ±-	
MATERIAL	-	FINISH	-

CUSTOMER DRAWING

SIZE	CAGE CODE	DRAWING NO	RESTRICTED TO
A3	-	©-TI62010XXXX000	
SCALE	SHEET	OF	REV
1:2	1	2	B

THIS DRAWING IS UNPUBLISHED.

RELEASED FOR PUBLICATION

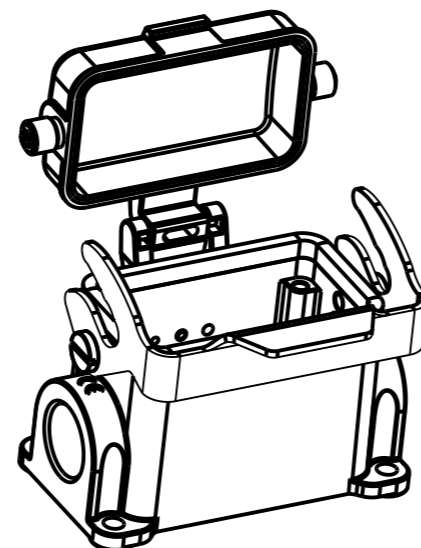
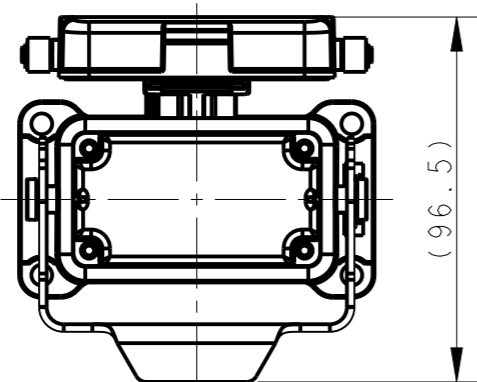
20

© COPYRIGHT 20 BY -

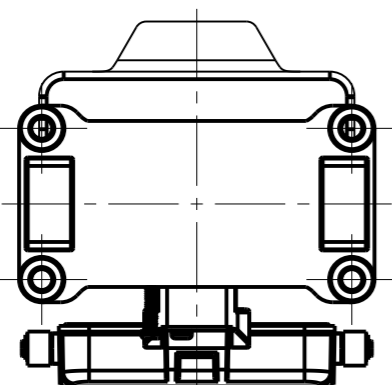
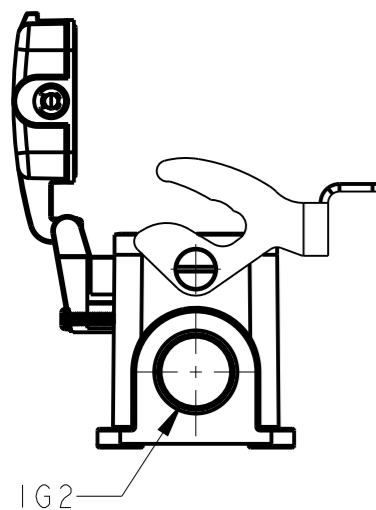
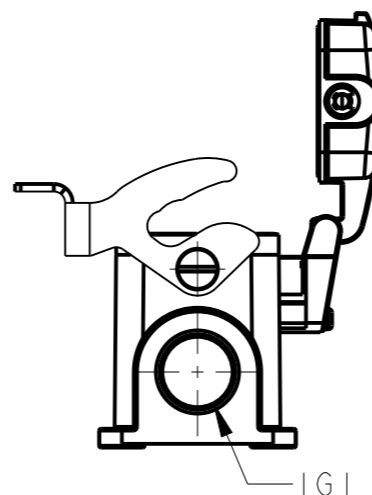
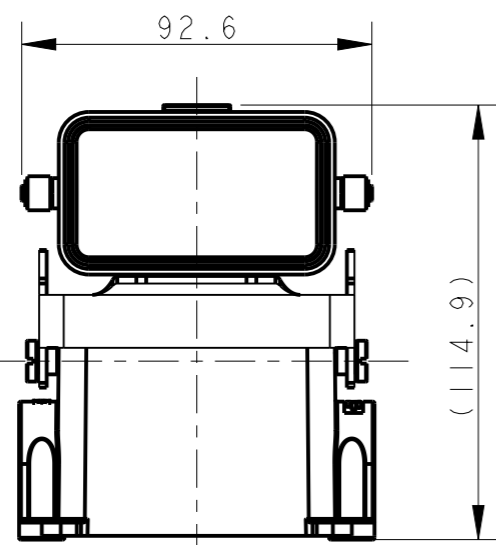
ALL RIGHTS RESERVED.

REVISIONS

P	LTR	DESCRIPTION	DATE	DWN	APVD
-	-	SEE SHEET 1	-	-	-




NOTES:
SEE SHEET 1
注释:
见第1页.



PART NUMBER	PART DESCRIPTION	1G1	1G2	TYPE
料号	描述	螺纹孔1	螺纹孔2	类型
TI620103416-000	H10B HOUSING, SURFACE MOUNTED, METAL SINGLE LOCKING, PG16, METAL PROTECTION COVER, POWDER COATED, GREY H10B下壳, 表面安装, 彩锌单扣, PG16, 带金属保护盖, 灰色粉末喷涂	PG16	-	-
TI620103420-000	H10B HOUSING, SURFACE MOUNTED, METAL SINGLE LOCKING, M20, METAL PROTECTION COVER, POWDER COATED, GREY H10B下壳, 表面安装, 彩锌单扣, M20, 带金属保护盖, 灰色粉末喷涂	M20	-	-
TI620103421-000	H10B HOUSING, SURFACE MOUNTED, METAL SINGLE LOCKING, PG21, METAL PROTECTION COVER, POWDER COATED, GREY H10B下壳, 表面安装, 彩锌单扣, PG21, 带金属保护盖, 灰色粉末喷涂	PG21	-	-
TI620103425-000	H10B HOUSING, SURFACE MOUNTED, METAL SINGLE LOCKING, M25, METAL PROTECTION COVER, POWDER COATED, GREY H10B下壳, 表面安装, 彩锌单扣, M25, 带金属保护盖, 灰色粉末喷涂	M25	-	TYPE 2
TI620103316-000	H10B HOUSING, SURFACE MOUNTED, METAL SINGLE LOCKING, 2PG16, METAL PROTECTION COVER, POWDER COATED, GREY H10B下壳, 表面安装, 彩锌单扣, 2PG16, 带金属保护盖, 灰色粉末喷涂	PG16	PG16	-
TI620103320-000	H10B HOUSING, SURFACE MOUNTED, METAL SINGLE LOCKING, 2M20, METAL PROTECTION COVER, POWDER COATED, GREY H10B下壳, 表面安装, 彩锌单扣, 2M20, 带金属保护盖, 灰色粉末喷涂	M20	M20	-
TI620103325-000	H10B HOUSING, SURFACE MOUNTED, METAL SINGLE LOCKING, 2M25, METAL PROTECTION COVER, POWDER COATED, GREY H10B下壳, 表面安装, 彩锌单扣, 2M25, 带金属保护盖, 灰色粉末喷涂	M25	M25	-

TYPE 2: H10B HOUSING, METAL PROTECTION COVER
OTHER SPEC REFER TO TYPE 1
类型2 H10B下壳, 带金属保护盖, 其它参考类型1

THIS DRAWING IS A CONTROLLED DOCUMENT.		DWN 25JUN2015 DAVID LI	 TE Connectivity	
DIMENSIONS: mm		CHK 25JUN2015 CHRIS WANG		
TOLERANCES UNLESS OTHERWISE SPECIFIED:		APVD 25JUN2015 XU XIANG	NAME H10B-SDRM-LB-PG/M	
0 PLC ±-		PRODUCT SPEC 108-137013	SIZE CAGE CODE DRAWING NO RESTRICTED TO	
1 PLC ±-		APPLICATION SPEC 114-137013	A3 - C-TI62010XXXX000	
2 PLC ±-		WEIGHT -	SCALE 1:2 SHEET 2 OF 2 REV B	
3 PLC ±-		CUSTOMER DRAWING		
4 PLC ±-				
ANGLES ±-				
FINISH -				
MATERIAL -				

单击下面可查看定价，库存，交付和生命周期等信息

[>>TE Connectivity\(泰科\)](#)