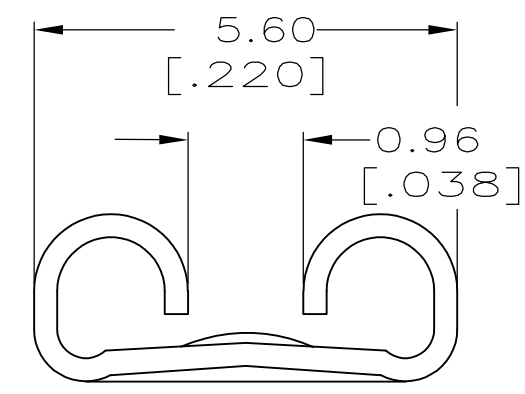
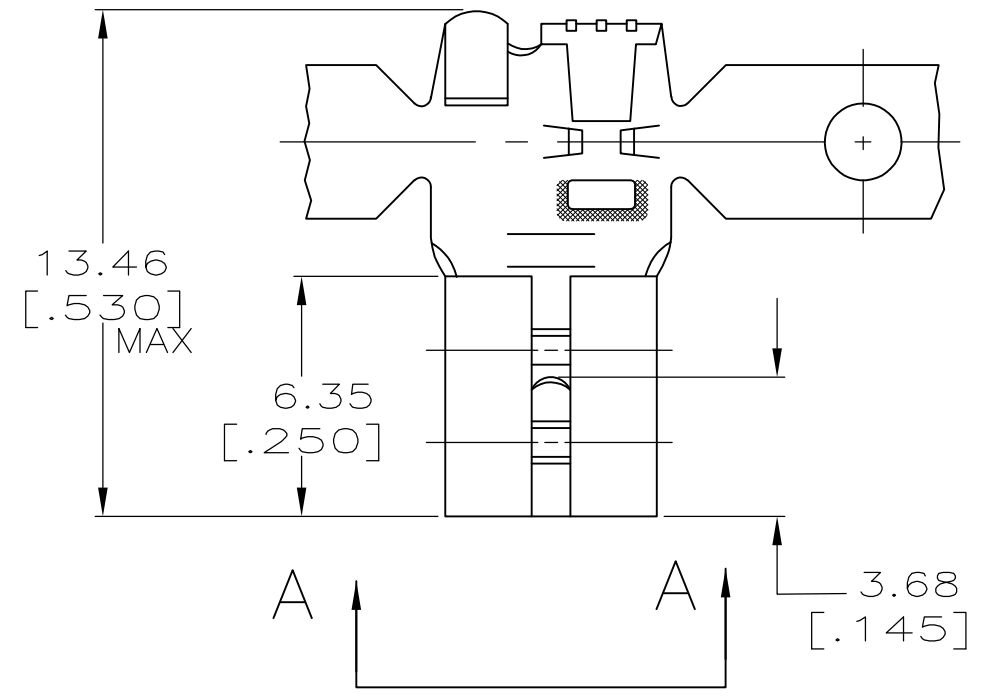


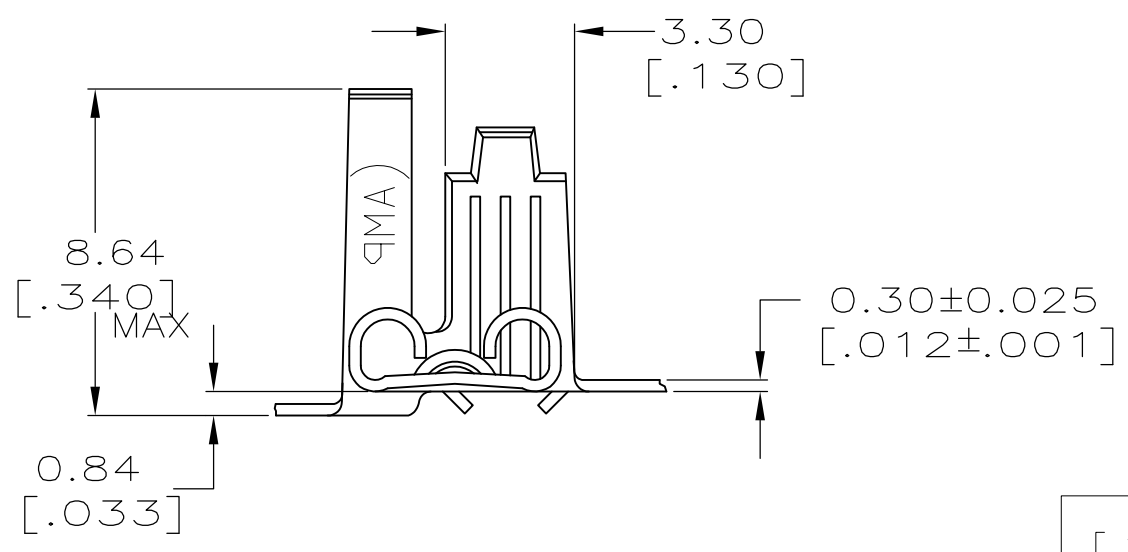
THIS DRAWING IS UNPUBLISHED. RELEASED FOR PUBLICATION  
 © COPYRIGHT - By - ALL RIGHTS RESERVED.

LOC	DIST	REVISIONS			
P	LTR	DESCRIPTION	DATE	DWN	APVD
AF	50				
	D	REVISED PER ECR-12-013518	23NOV2012	KH	PD


1 CONTINUOUS STRIP ON REELS.



VIEW A-A



2.79-4.32 [.110-.170] DIA	0.5-1.3mm <sup>2</sup> [20-16] AWG	TIN	0.51 [.020]	63417-2
INSUL RANGE	WIRE SIZE	-	MATING TAB THK ±0.025 [.001]	63417-1
		FINISH		PART NO

THIS DRAWING IS A CONTROLLED DOCUMENT.		DWN JR RUTH 12/20/85	 TE Connectivity RECEPTACLE, FASTON, FLAG, 4.75 [.187] SERIES															
DIMENSIONS: mm [INCHES]		CHK G YETTER 12/20/85				NAME												
TOLERANCES UNLESS OTHERWISE SPECIFIED:		APVD C MAYERS 12/20/85				PRODUCT SPEC												
<table border="0"> <tr><td>0 PLC</td><td>± -</td></tr> <tr><td>1 PLC</td><td>± -</td></tr> <tr><td>2 PLC</td><td>± 0.25 [.010]</td></tr> <tr><td>3 PLC</td><td>± -</td></tr> <tr><td>4 PLC</td><td>± -</td></tr> <tr><td>ANGLES</td><td>± -</td></tr> </table>		0 PLC				± -	1 PLC	± -	2 PLC	± 0.25 [.010]	3 PLC	± -	4 PLC	± -	ANGLES	± -	APPLICATION SPEC	SIZE
0 PLC	± -																	
1 PLC	± -																	
2 PLC	± 0.25 [.010]																	
3 PLC	± -																	
4 PLC	± -																	
ANGLES	± -																	
MATERIAL BRASS	FINISH SEE TABLE	WEIGHT -	A3	00779	C-63417	-												
CUSTOMER DRAWING			SCALE 5:1	SHEET 1 OF 1	REV D													

单击下面可查看定价，库存，交付和生命周期等信息

[>>TE Connectivity\(泰科\)](#)