

4

3

2

1

THIS DRAWING IS UNPUBLISHED.

RELEASED FOR PUBLICATION

2011

© COPYRIGHT 2011

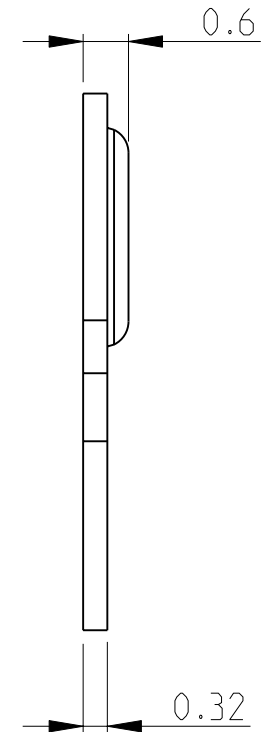
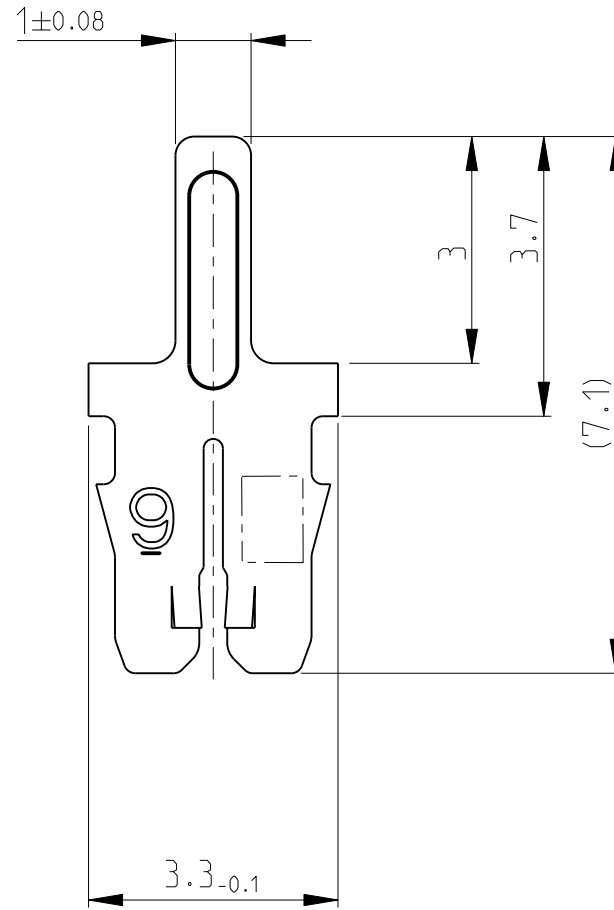
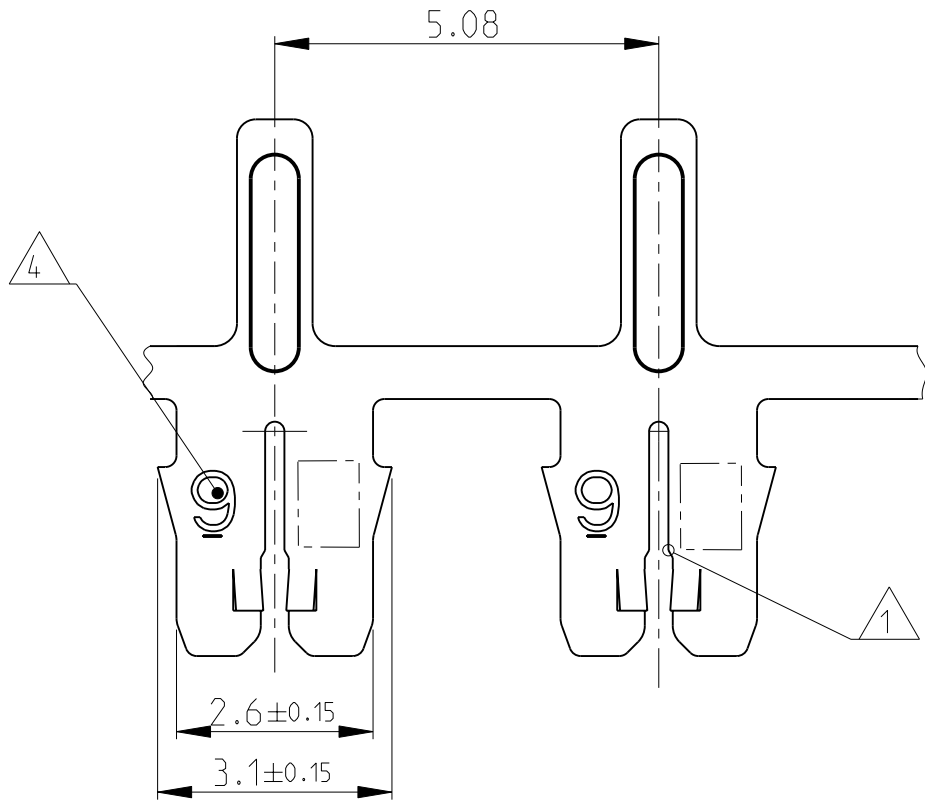
ALL RIGHTS RESERVED.

LOC  
IR

DIST  
-

REVISIONS

| P | LTR | DESCRIPTION               | DATE      | DWN | APVD |
|---|-----|---------------------------|-----------|-----|------|
|   | A   | INITIAL RELEASE           | 18JUL2011 | PKS | RRP  |
|   | A1  | CAVITY DWG INFO CORRECTED | 29SEP2011 | PKS | RRP  |
|   |     |                           |           |     |      |
|   |     |                           |           |     |      |



Bemerkungen  
NOTES

- 1 Geeignet fuer Kupfertackdraht Ø0.355...0.45mm  
Einzeldraht oder zwei Draehte gleichen Durchmessers  
SLOT ACCEPTS:  
SINGLE OR DOUBLE MAGNET WIRE  
SAME DIAMETERS 0.355...0.45mm DIA
- 2 Anlieferungszustand: Kontakte fortlaufend mit  
Papierzwiseilage auf Kunststoffspule aufgewickelt  
Max. 5 Splice Stellen pro Spule  
Splice Stellen nicht miteinander verbunden  
DELIVERYSTATE: CONTACTS CONTINUOUS REELED WITH PAPER  
INTERLAYER ON PLASTIC-REEL.  
MAX. 5 SPLICES PER REEL  
SPLICES BE NOT BONDED TOGETHER.
- 3 Kontaktkammer nach Zeichnung } Spec. 411-18513  
CAVITY ACCORDING DWG.
- 4 Kennziffer fuer Drahtgroessenbereich (9)  
IDENTIFICATION NO. FOR MAGNET WIRE RANGE (9)
- 5 Materialdicke } 0.32±0.02  
STOCK THICKNESS

|           |      |          |                  |                    |
|-----------|------|----------|------------------|--------------------|
| 1987501-1 | A    | CuSn     | PRETINNED        | MAG-MATE .187 mod. |
| PART NO   | REV. | MATERIAL | SURFACE<br>COLOR | DESCRIPTION        |

|                                                                                                                                                                                                                                                           |      |                                |                                                            |           |               |      |       |      |       |      |       |      |       |      |
|-----------------------------------------------------------------------------------------------------------------------------------------------------------------------------------------------------------------------------------------------------------|------|--------------------------------|------------------------------------------------------------|-----------|---------------|------|-------|------|-------|------|-------|------|-------|------|
| THIS DRAWING IS A CONTROLLED DOCUMENT.                                                                                                                                                                                                                    |      | DWN<br>J.KOEHLE<br>31JUL2008   | <br>TE Connectivity<br><br>MAG-MATE Kontakt<br>mit Loetpin |           |               |      |       |      |       |      |       |      |       |      |
| DIMENSIONS:<br>mm                                                                                                                                                                                                                                         |      | CHK<br>S.ZABECK<br>04AUG2008   |                                                            |           |               |      |       |      |       |      |       |      |       |      |
| TOLERANCES UNLESS OTHERWISE SPECIFIED:                                                                                                                                                                                                                    |      | APVD<br>T.KLENNER<br>04AUG2008 |                                                            |           |               |      |       |      |       |      |       |      |       |      |
| <table border="0"> <tr><td>0 PLC</td><td>±0.2</td></tr> <tr><td>1 PLC</td><td>±0.2</td></tr> <tr><td>2 PLC</td><td>±0.2</td></tr> <tr><td>3 PLC</td><td>±0.2</td></tr> <tr><td>4 PLC</td><td>±0.2</td></tr> <tr><td>ANGLES</td><td>±1°</td></tr> </table> |      | 0 PLC                          |                                                            |           |               | ±0.2 | 1 PLC | ±0.2 | 2 PLC | ±0.2 | 3 PLC | ±0.2 | 4 PLC | ±0.2 |
| 0 PLC                                                                                                                                                                                                                                                     | ±0.2 |                                |                                                            |           |               |      |       |      |       |      |       |      |       |      |
| 1 PLC                                                                                                                                                                                                                                                     | ±0.2 |                                |                                                            |           |               |      |       |      |       |      |       |      |       |      |
| 2 PLC                                                                                                                                                                                                                                                     | ±0.2 |                                |                                                            |           |               |      |       |      |       |      |       |      |       |      |
| 3 PLC                                                                                                                                                                                                                                                     | ±0.2 |                                |                                                            |           |               |      |       |      |       |      |       |      |       |      |
| 4 PLC                                                                                                                                                                                                                                                     | ±0.2 |                                |                                                            |           |               |      |       |      |       |      |       |      |       |      |
| ANGLES                                                                                                                                                                                                                                                    | ±1°  |                                |                                                            |           |               |      |       |      |       |      |       |      |       |      |
| MATERIAL SEE TABLE                                                                                                                                                                                                                                        |      | FINISH SEE TABLE               | APPLICATION SPEC                                           | NAME      | RESTRICTED TO |      |       |      |       |      |       |      |       |      |
|                                                                                                                                                                                                                                                           |      | WEIGHT                         | SIZE                                                       | CAGE CODE | DRAWING NO    |      |       |      |       |      |       |      |       |      |
|                                                                                                                                                                                                                                                           |      |                                | A3                                                         | 00779     | ©1987501      |      |       |      |       |      |       |      |       |      |
| CUSTOMER DRAWING                                                                                                                                                                                                                                          |      |                                | SCALE                                                      | SHEET     | REV           |      |       |      |       |      |       |      |       |      |
|                                                                                                                                                                                                                                                           |      |                                | 10:1                                                       | 1 OF 1    | A1            |      |       |      |       |      |       |      |       |      |

单击下面可查看定价，库存，交付和生命周期等信息

[>>TE Connectivity\(泰科\)](#)