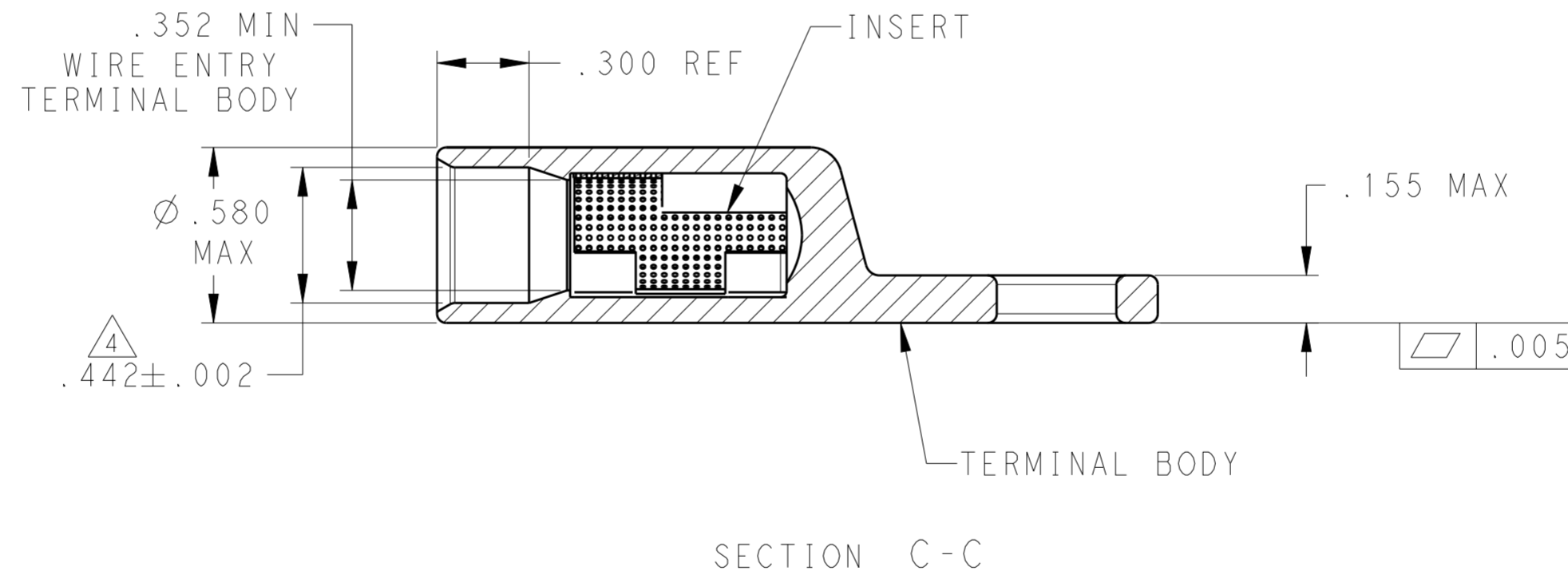
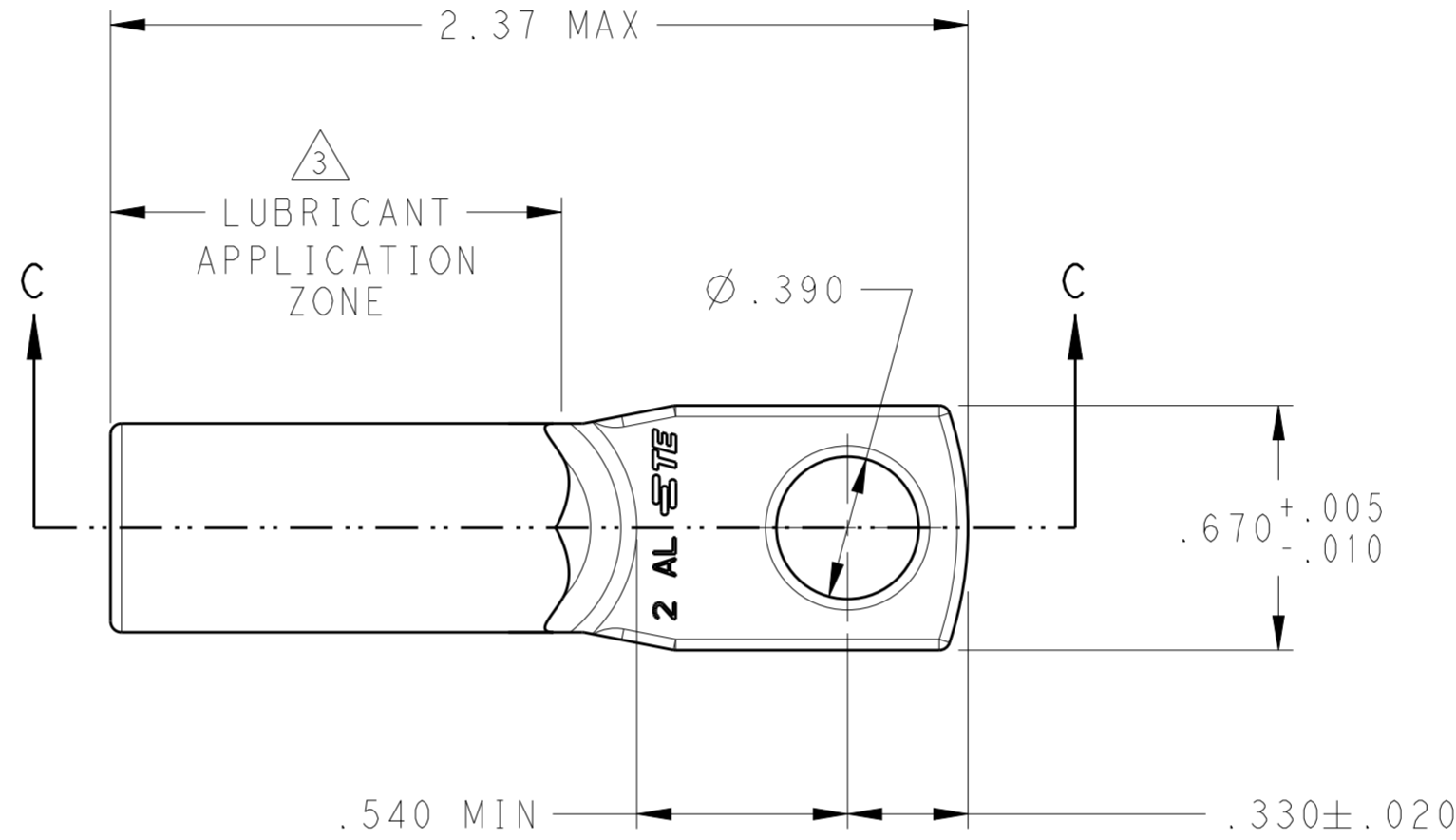
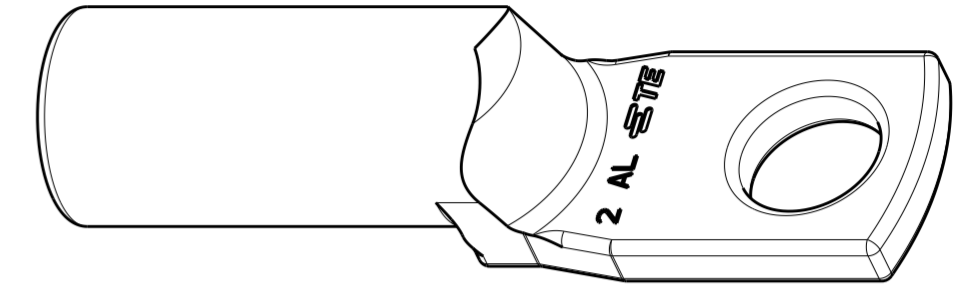


REVISIONS

P	LTR	DESCRIPTION	DATE	DWN	APVD
C		REV PER ECO 19-019314	27FEB2020	CT	PD

- MATERIAL:
BODY: ALUMINUM PER ASTM B317
INSERT: BRASS PER ASTM B36
- FINISH:
BODY: .000600 MIN MATTE TIN PER ASTM B545
OVER .000060 MIN NICKEL PER ASTM B733.
INSERT: .000150 MIN MATTE NICKEL PER QQ-N-290
- PTFE DRY LUBRICANT 360 DEGREE ON OUTER DIAMETER OF CRIMP BARREL IN ZONE SHOWN.
- WIRE INSULATION RANGE: .340-.417.
- SEE TE CONNECTIVITY APPLICATION SPEC. 114-32098 FOR APPLICATION REQUIREMENTS.
- SEE TE CONNECTIVITY INSTRUCTION SHEET 408-32087 FOR TOOLING AND CRIMP INSTRUCTIONS, FIGURE 3 FOR WIRE STRIPPING DETAIL.



2102571-1

PART NO.

THIS DRAWING IS A CONTROLLED DOCUMENT.		DWN 12MARCH2012 D.FABIAN	TE Connectivity	
DIMENSIONS: INCHES		CHK 28NOV2012 DEBOCK, KIM		
TOLERANCES UNLESS OTHERWISE SPECIFIED:		APVD 28NOV2012 DEBOCK, KIM	NAME ASSEMBLY, ALUMINUM, COPALUM, 2 AWG, STRAIGHT	
0 PLC ±-		PRODUCT SPEC	SIZE CAGE CODE DRAWING NO RESTRICTED TO	
1 PLC ±.1		APPLICATION SPEC	A200779 C-2102571	
2 PLC ±.02		WEIGHT	SCALE 2:1 SHEET 1 OF 1 REV C	
3 PLC ±.005		CUSTOMER DRAWING		
4 PLC ±.0005				
ANGLES ±1°				
FINISH				
SEE NOTES				

单击下面可查看定价，库存，交付和生命周期等信息

[>>TE Connectivity\(泰科\)](#)