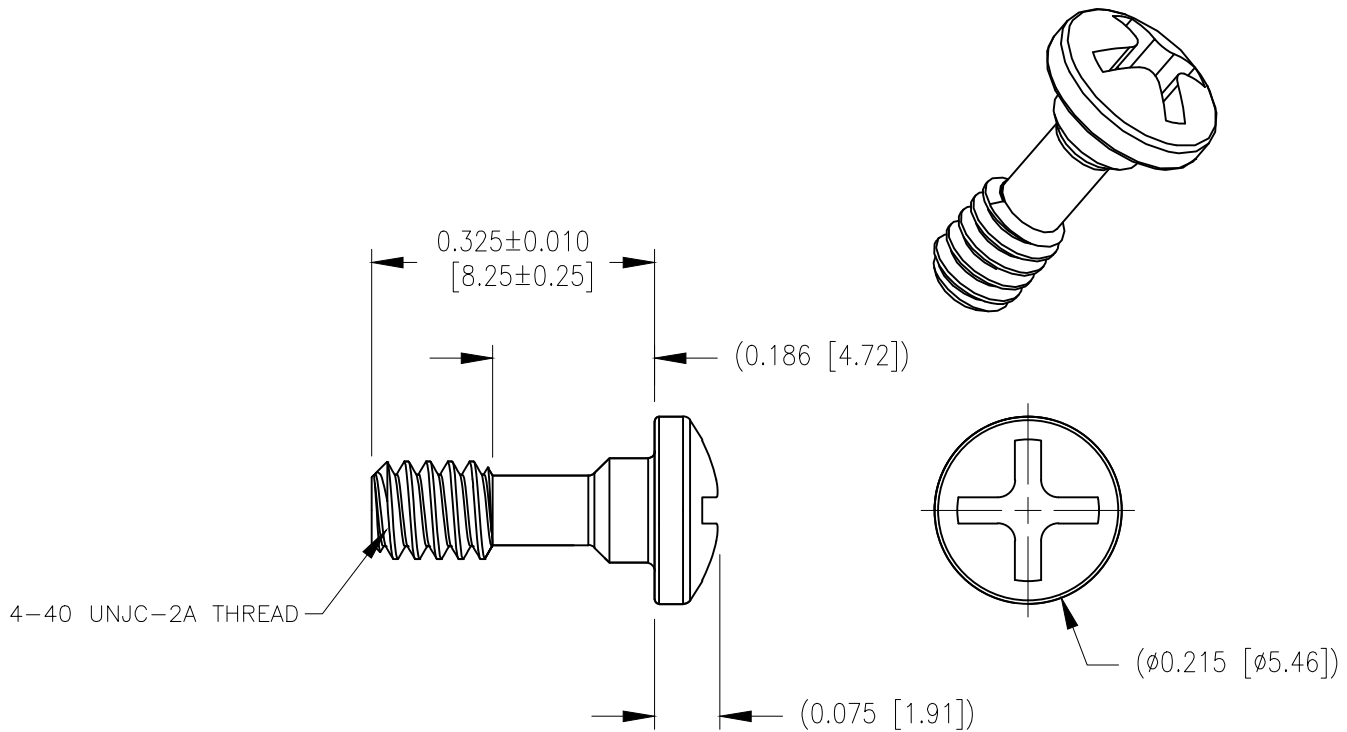


TYCO ELECTRONICS RESERVES THE RIGHT TO AMEND THIS DRAWING AT ANY TIME. USERS SHOULD EVALUATE THE SUITABILITY OF THE PRODUCT FOR THEIR APPLICATION.

| REVISIONS | | | |
|-----------|---------------------------------|-----------|----------|
| LTR | DESCRIPTION | DATE | APPROVED |
| A1 | INITIAL RELEASE PER DCR C050744 | 11/22/05 | MHIGGY |
| D | REVISED PER ECO-18-008206 | 29MAY2018 | AS |



MATERIAL:

SCREWS: 4-40 PHILLIPS HEAD, STAINLESS STEEL 302, PASSIVATED, CAPTIVE, SELF-LOCKING. ALTERNATIVE MATERIAL A-286

© 2005 Tyco Electronics Corporation. All rights reserved.

SPECIFICATION CONTROL DRAWING

| | | | | | | | |
|---|------------------------|----------|----------|--|--|---------------------------|-----|
| UNLESS OTHERWISE SPECIFIED DIMENSIONS ARE IN INCHES. METRIC DIMENSIONS ARE IN BRACKETS. | DRAWN | MFORONDA | 11/17/05 | | Tyco Electronics Corporation 300 Constitution Drive Menlo Park, CA. 94025 U.S.A. | <i>Raychem</i> | |
| | CHECKED | | | | | | |
| | APPROVED | M.HIGGY | 11/17/05 | TITLE SCREW, PAN HEAD, MTC GROUNDING BLOCK FOR CHA-0305 THRU CHA-0308 | | | |
| | APPROVED | | | | | | |
| DECIMALS .XXX ± _____ .XX ± _____ ANGLES _____ | CAD NAME: D050744.dwg | | | SIZE | CODE IDENT. NO. | DWG. NO. | REV |
| WEIGHT --- | THIRD ANGLE PROJECTION | | | | 05090 | CHA-0313 | D |
| | | | | Downloaded From Oneyac.com | | DO NOT SCALE THIS DRAWING | |
| | | | | | | SHEET 1 OF 1 | |

单击下面可查看定价，库存，交付和生命周期等信息

[>>TE Connectivity\(泰科\)](#)