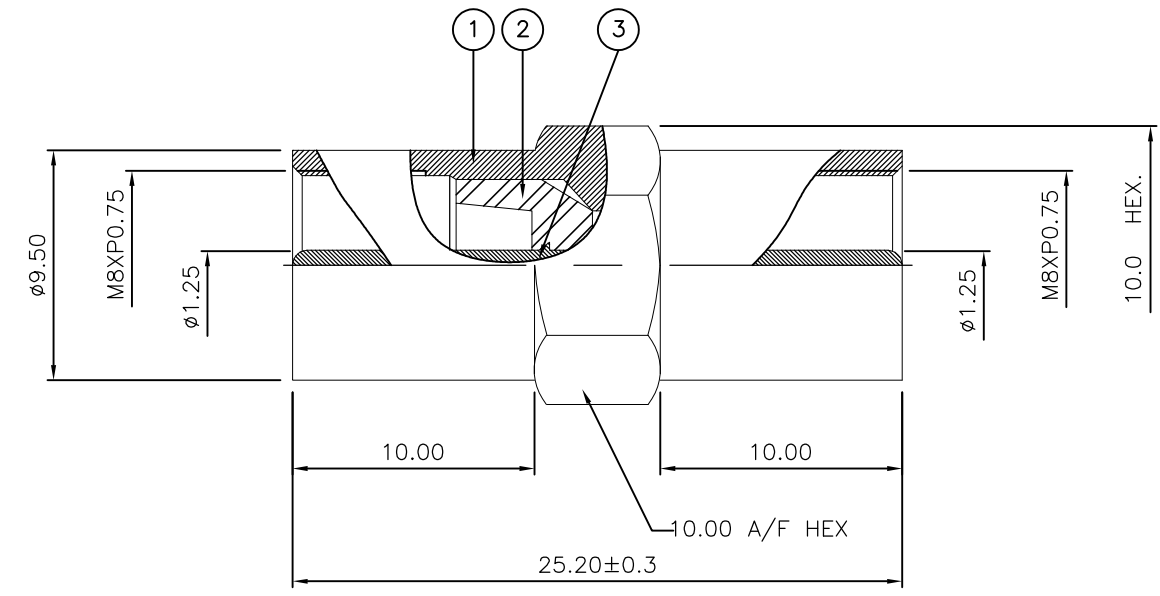


THIS DRAWING IS UNPUBLISHED. RELEASED FOR PUBLICATION FEB ,2006.
 © COPYRIGHT 2006 By - ALL RIGHTS RESERVED.

LOC	DIST	REVISIONS					
		P	LTR	DESCRIPTION	DATE	DWN	APVD
E	B		C	ECR-06-002568	02FEB06	JMS	FWK
			D	ECO-12-011078	12JUN12	TITAN	MARTIN

- NOTES:
- 1 PACK IN ACCORDANCE WITH AMP SPEC 107-3275
 - 2 100 TRAY PACK IN ACCORDANCE WITH AMP SPEC 107-3275
 - 3 Au PLATING
 - 4 Ni PLATING
 - 5 ELECTRICAL CHARACTERISTICS
 FREQUENCY RANGE: DC - 2 GHz
 NOMINAL IMPEDANCE: 50 Ohm
 INSULATION RESISTANCE: 5000 MOhm
 WORKING VOLTAGE: 335 Volts RMS at Sea Level
 DIELECTRIC WITHSTAND VOLTAGE: 1000 Volts RMS Max
 CONTACT RESISTANCE:
 CENTRE CONTACT: 10.00 mOhm Max
 OUTER CONTACT: 5.00 mOhm Max
 VSWR @ 1GHz: 1.5 Max
 INSERTION LOSS : 0.50 dB Max
 - 6 MECHANICAL CHARACTERISTICS
 COUPLING NUT RETENTION FORCE: 60 lbs MIN.
 DURABILITY: 500 Cycles Min
 RECOMMENDED COUPLING TORQUE: 18 in-lbs MAX.
 - 7 ENVIRONMENTAL CHARACTERISTICS
 OPERATING TEMPERATURE: -55 to +125 DegC



QTY	QTY PER ASSY	QTY PER ASSY	MATERIAL	DESCRIPTION	ITEM
1	1		BRASS	CONTACT	3
2	2		PTFE	INSULATION	2
1	1		BRASS	BODY	1
6--0	1--0				

THIS DRAWING IS A CONTROLLED DOCUMENT.		DWN	J.SANDWELL	02FEB06	TE Connectivity FME STRAIGHT ADAPTOR P-P 50 OHM				
DIMENSIONS: mm		CHK	S.PARLOW	02FEB06				NAME	
TOLERANCES UNLESS OTHERWISE SPECIFIED:		APVD	F.WHEELER-KING	02FEB06				PRODUCT SPEC	
0 PLC ± - 1 PLC ± 0.2 2 PLC ± 0.1 3 PLC ± 0.05 4 PLC ± - ANGLES ± 5°		APPLICATION SPEC		SIZE					
MATERIAL SEE TABLE		FINISH -		WEIGHT -	SIZE	CAGE CODE	DRAWING NO	RESTRICTED TO	
				A3		00779	C-1337553	-	
CUSTOMER DRAWING				SCALE		NTS	SHEET	1 OF 1	
						REV		D	

单击下面可查看定价，库存，交付和生命周期等信息

[>>TE Connectivity\(泰科\)](#)