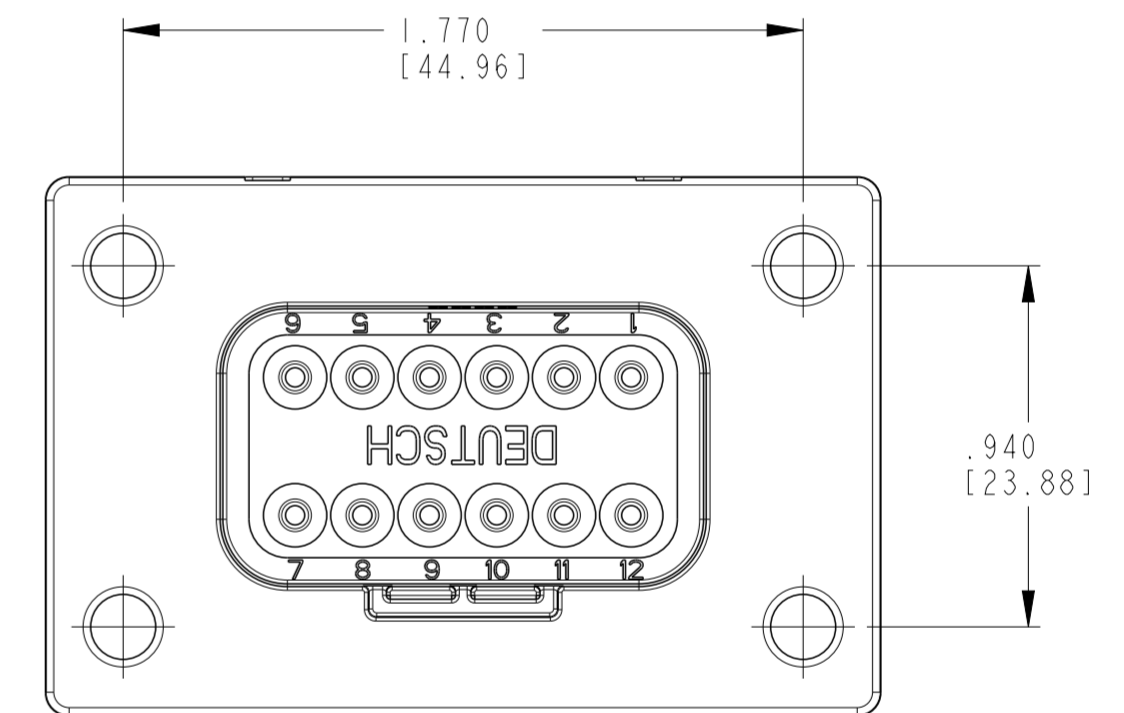
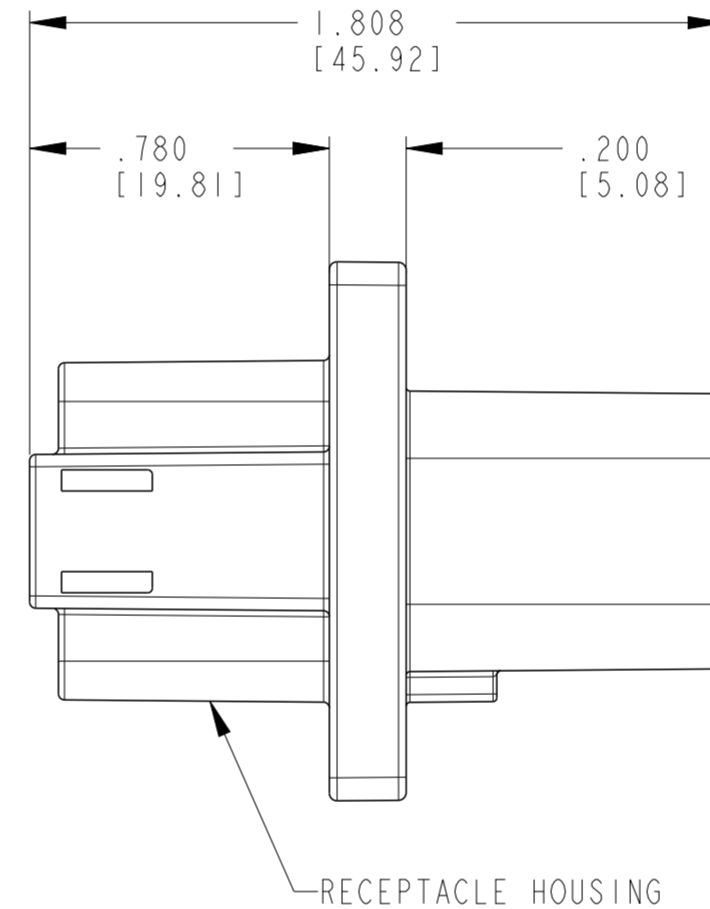
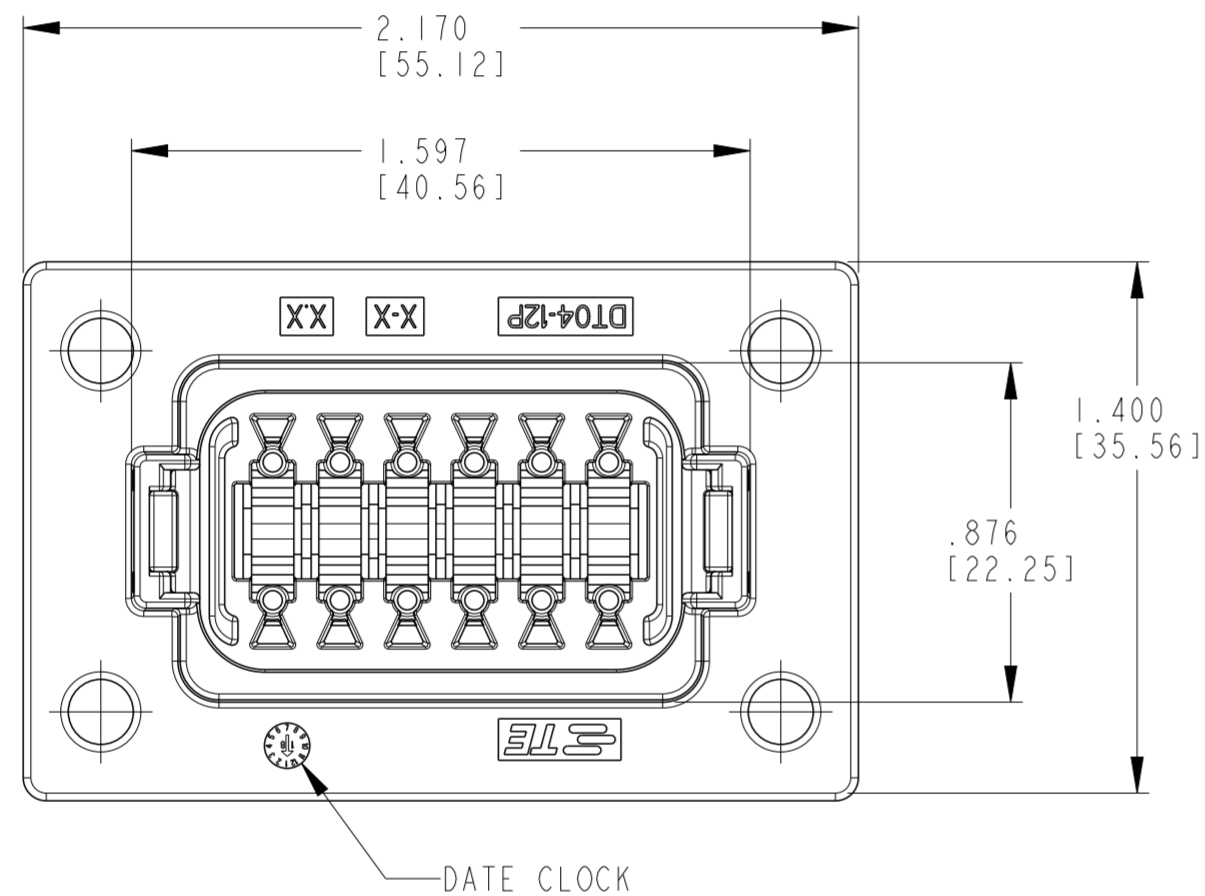


3-DIMENSIONAL VIEW

REVISIONS					
P	LTR	DESCRIPTION	DATE	DWN	APVD
	NC	REDRAWN/REPLACES PREVIOUS	-	-	-
		RELEASE PER E.O. P19542	12JUN2007	-	RDR
	A	REVISED PER E.O. P19542	18MAY2010	-	RDR
	D	REVISED PER PCN E-20-009825	09JUL2020	PMV	IG



7. SECONDARY WEDGE LOCK SOLD SEPARATELY: W12P-XXXX.
(XXXX = ALL MODIFICATIONS)

6. RECOMMENDED SCREW: 6-32 [M4].
RECOMMENDED TORQUE: 20-25 IN-LB [2.26-2.82 Nm].

5. MATERIAL - HOUSING: PA66 GF15
GROMMET: VMO (ORANGE RED)

4. THIS RECEPTACLE MATES WITH DT06-12SX-XXXX PLUG.
(X = KEY ARR. A,B,C,D; XXXX = ALL MODIFICATIONS)
CONSULT FACTORY FOR MODIFICATIONS.

3. FOR CONTACT AND WIRE PERFORMANCE AND APPLICATION CHARACTERISTICS, SEE ENVELOPE DRAWING 0425-015-0000.

2. DELETED

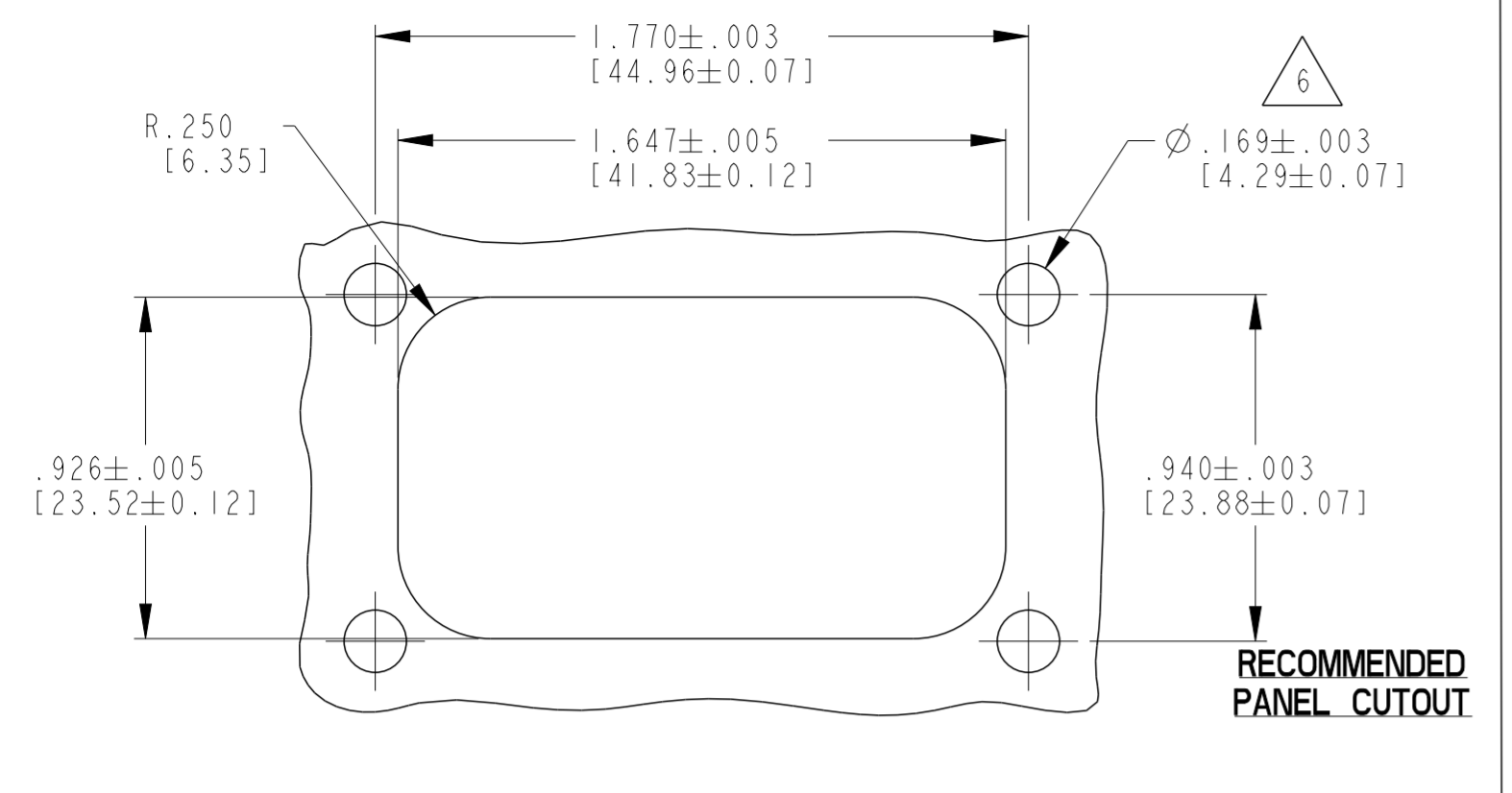
NOTES: 1. DELETED

CONTACT SIZE	MIN. INSUL O.D.	MAX. INSUL O.D.	WIRE RANGE [mm ²] REF ONLY
16	.088 [2.24]	.145 [3.68]	14-20 AWG [2.0-0.5]

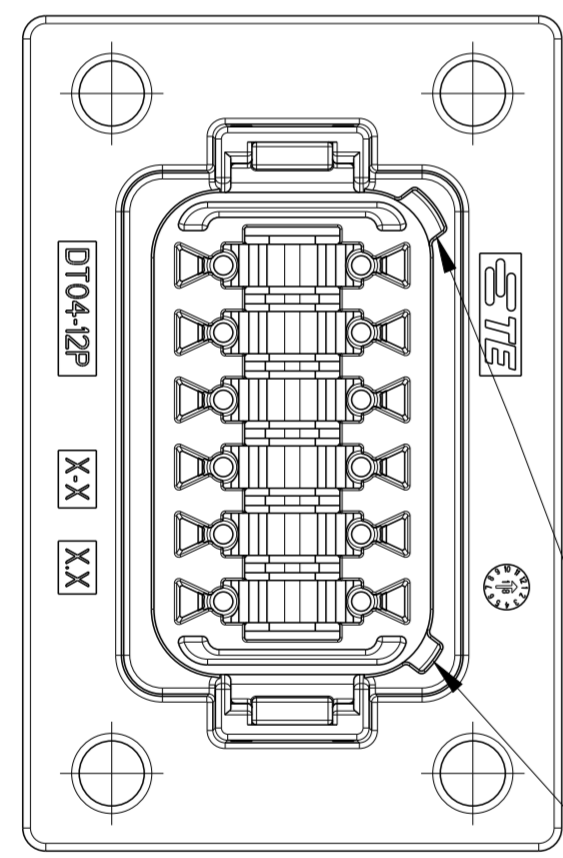
THIS DRAWING IS A CONTROLLED DOCUMENT.		DWN A MALAGON 16MAY2007	STE TE Connectivity	
DIMENSIONS: INCHES[MM]		CHK R MCCORD 14MAY2010		
TOLERANCES UNLESS OTHERWISE SPECIFIED:		APVD S BEARD 04MAY2010	NAME 12 WAY RECEPTACLE W/ FLANGE-L012 MOD DT SERIES	
0 PLC ±		PRODUCT SPEC 108-151009	SIZE A2	
1 PLC ±		APPLICATION SPEC 114-151009	CAGE CODE 00779	DRAWING NO DT04-12PX-L012
2 PLC ±		WEIGHT -	RESTRICTED TO -	REV D
3 PLC ±.025 [0.64]		CUSTOMER DRAWING		
4 PLC ±		SCALE 2:1 SHEET 1 OF 2		
ANGLES ±0° 30' 0"				
FINISH -				

© 2020 TE Connectivity. All Rights Reserved.

REVISIONS				
P	LTR	DESCRIPTION	DATE	APVD
-	-	SEE SHEET 1	-	-

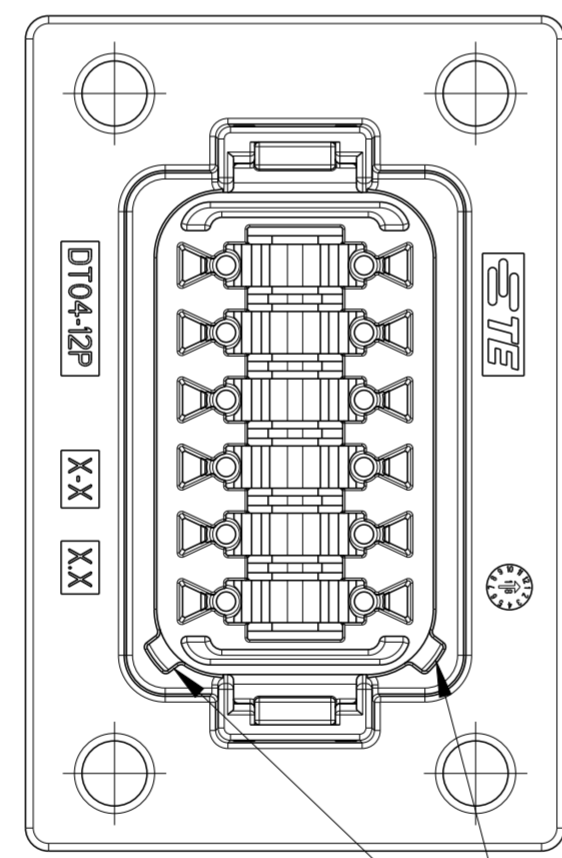


DT04-12PA-L012
KEY -A-
COLOR: GREY



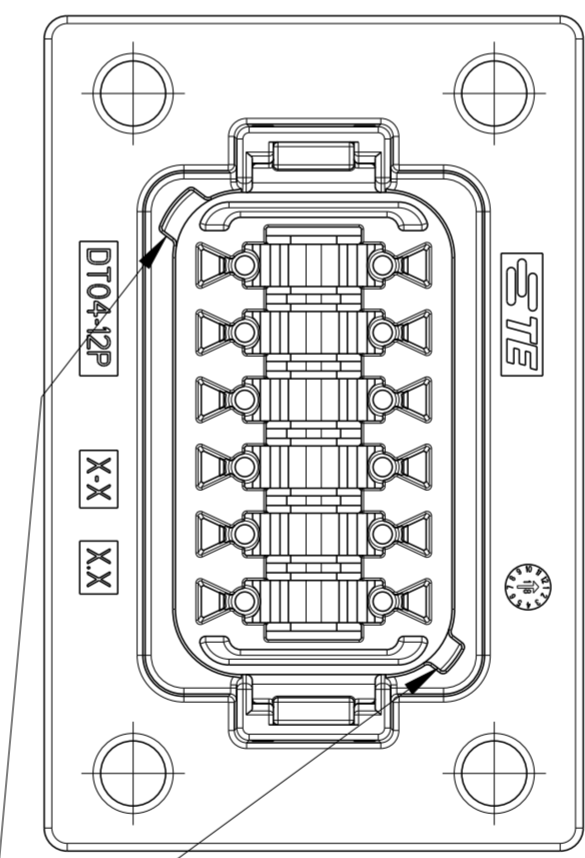
KEY -A-

DT04-12PB-L012
KEY -B-
COLOR: BLACK



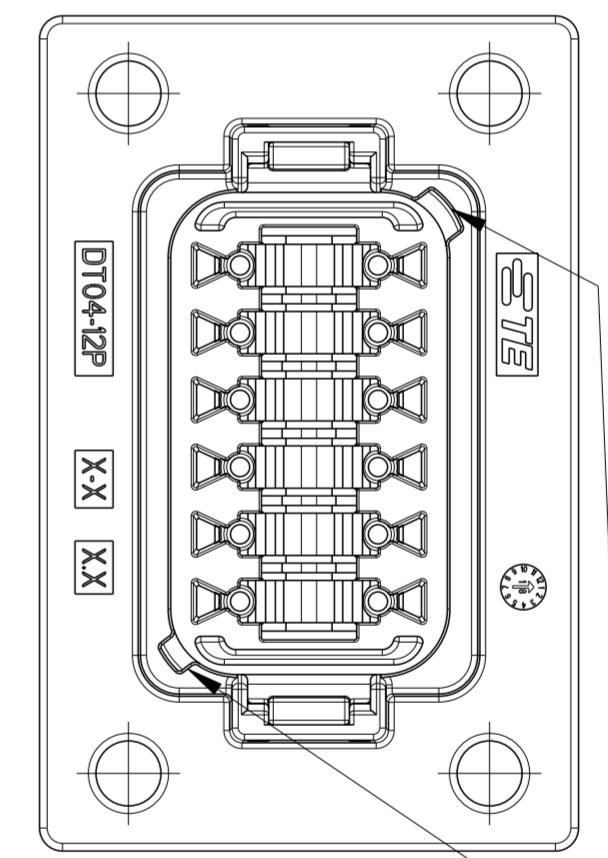
KEY -B-

DT04-12PC-L012
KEY -C-
COLOR: GREEN



KEY -C-

DT04-12PD-L012
KEY -D-
COLOR: BROWN



KEY -D-

THIS DRAWING IS A CONTROLLED DOCUMENT.		DWN A MALAGON 16MAY2007	TE Connectivity	
DIMENSIONS: INCHES[MM]		CHK R MCCORD 14MAY2010		
	TOLERANCES UNLESS OTHERWISE SPECIFIED:	APVD S BEARD 04MAY2010	NAME 12 WAY RECEPTACLE W/ FLANGE-L012 MOD DT SERIES	
	0 PLC ±	PRODUCT SPEC 108-151009	SIZE	RESTRICTED TO
	1 PLC ±	APPLICATION SPEC 114-151009	A2	-
	2 PLC ±	WEIGHT -	CAGE CODE 00779	DRAWING NO G-DT04-12PX-L012
3 PLC ±.025 [0.64]	FINISH -	CUSTOMER DRAWING	SCALE 2:1	SHEET 2 OF 2
4 PLC ±			REV D	
ANGLES ±0°30'0"				

单击下面可查看定价，库存，交付和生命周期等信息

[>>TE Connectivity\(泰科\)](#)