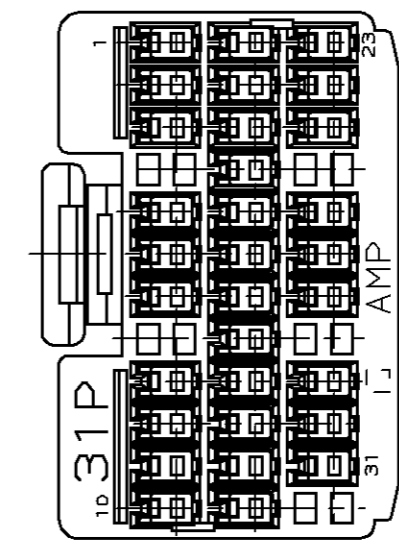
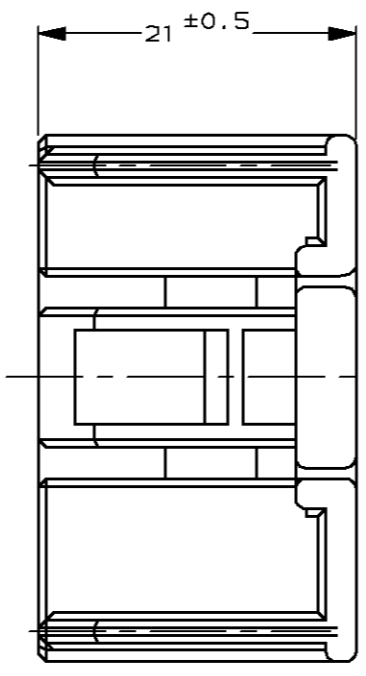
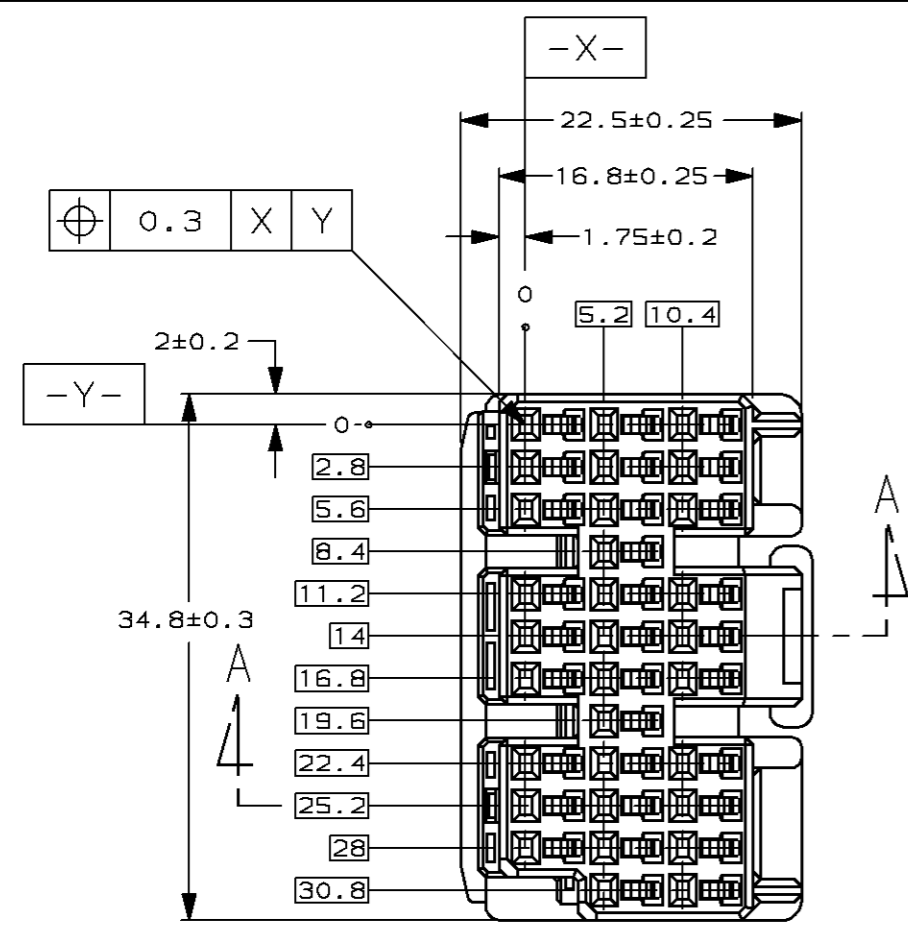
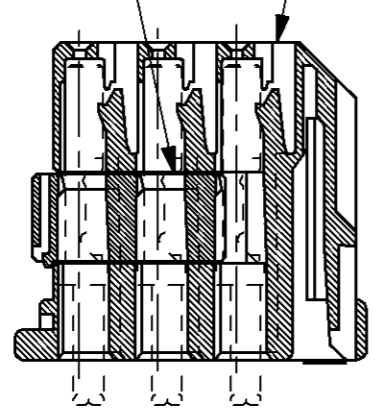


THIS DRAWING IS UNPUBLISHED. RELEASED FOR PUBLICATION ,19 .
 © COPYRIGHT 19 BY AMP INCORPORATED. ALL RIGHTS RESERVED.

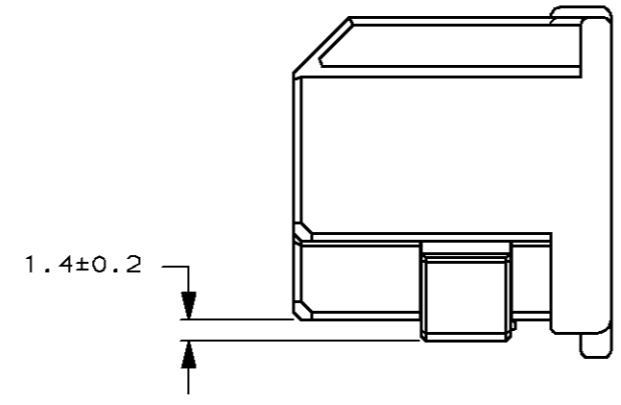
LOC	DIST	REVISIONS			
P	LTR	DESCRIPTION	DATE	DWN	APVD
FX	55	C	REVISE PER EC 0K80-0103-98	7-31-98	JLM RS



DOUBLE LOCK PLATE PLUG HOUSING



SECTION A-A



NOTES;

1. THE MATING CAP HOUSING PART NUMBER, 179684, 179686
2. APPLIED CONTACT PART NUMBER, 175265

BLUE	179680-5
COLOR	P/N

THIS DRAWING IS A CONTROLLED DOCUMENT.		DWN J MCNEAL 7-31-98	AMP AMP Incorporated Harrisburg, PA 17105-3608		
		CHK R SMITH 7-31-98			
		APVD R SMITH 7-31-98	NAME		
DIMENSIONS: mm		PRODUCT SPEC 108-5441		.040II HDH I/O CONNECTOR 31 POSN PLUG ASSY	
TOLERANCES UNLESS OTHERWISE SPECIFIED:		APPLICATION SPEC -		SIZE	CAGE CODE
0 PLC ±-		WEIGHT 8.1 GRAMS		DRAWING NO A3 00779 C- 179680	
1 PLC ±-		CUSTOMER DRAWING		RESTRICTED TO -	
2 PLC ±0.15		SCALE 2:1		SHEET 1 OF 1	
3 PLC ±-		REV C			
4 PLC ±-					
ANGLES ±3°					
MATERIAL PBT					
FINISH -					

单击下面可查看定价，库存，交付和生命周期等信息

[>>TE Connectivity\(泰科\)](#)