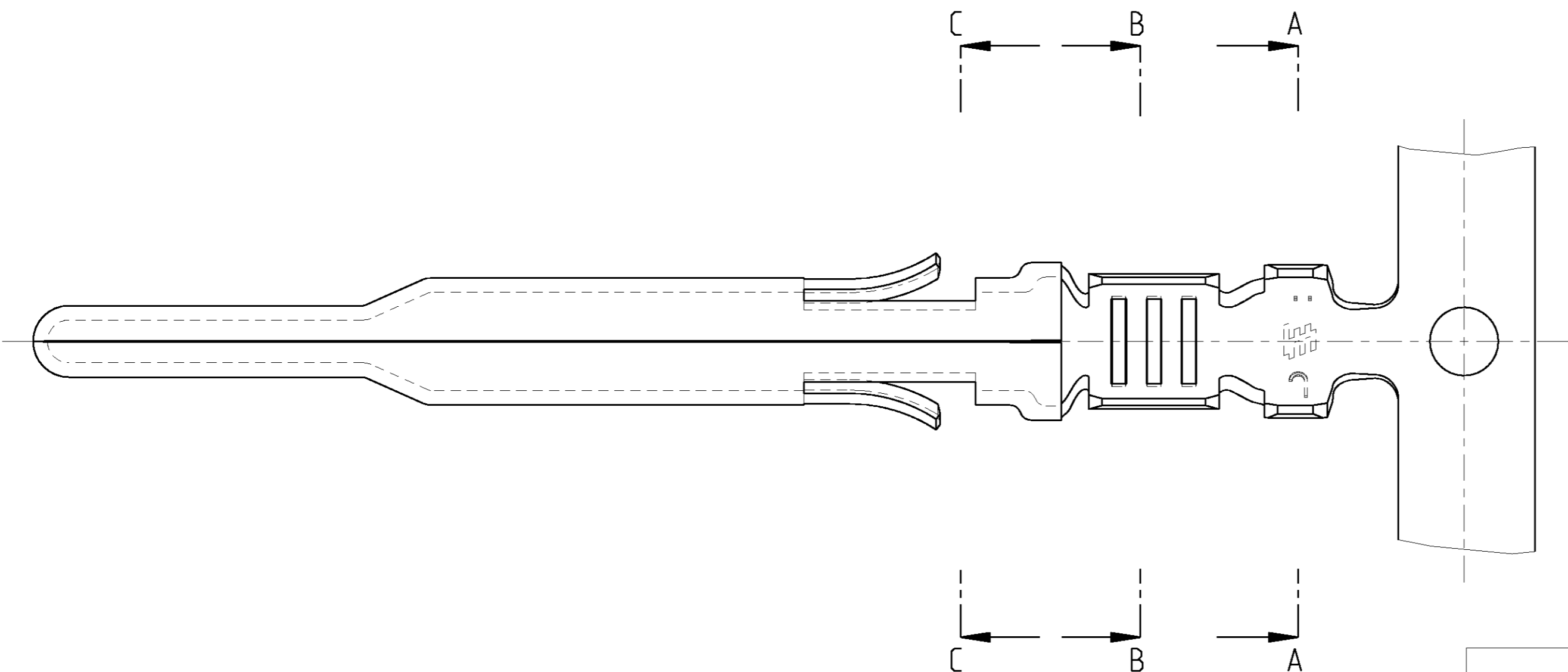
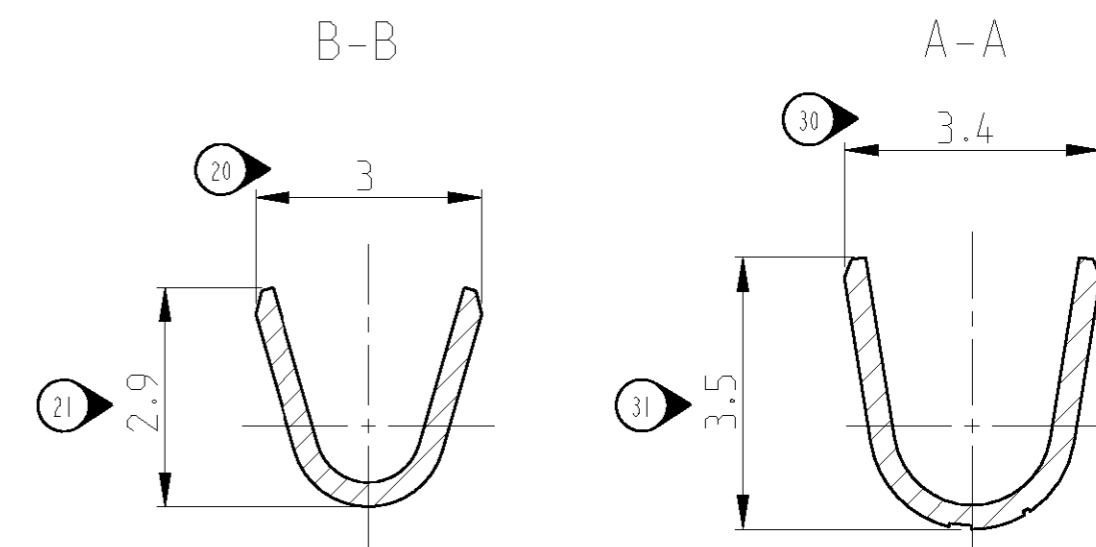
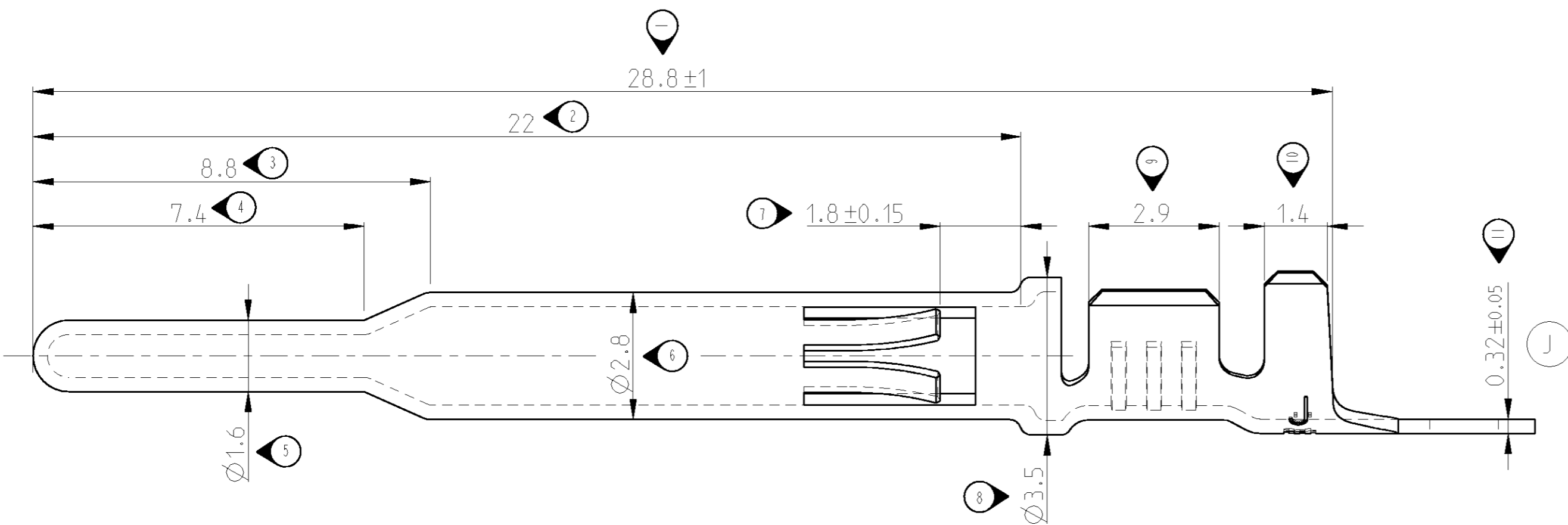
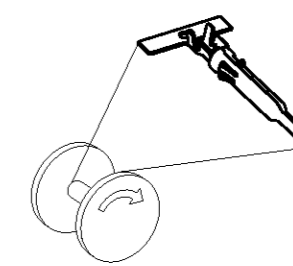


THIS DRAWING IS UNPUBLISHED. RELEASED FOR PUBLICATION 2007
 © COPYRIGHT 2007 BY TYCO ELECTRONICS CORPORATION. ALL RIGHTS RESERVED.

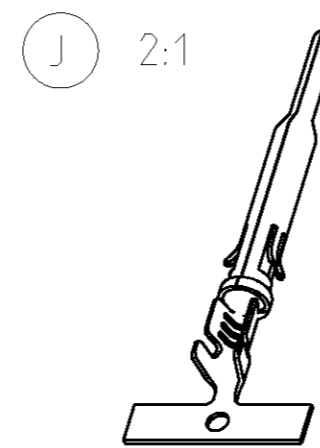
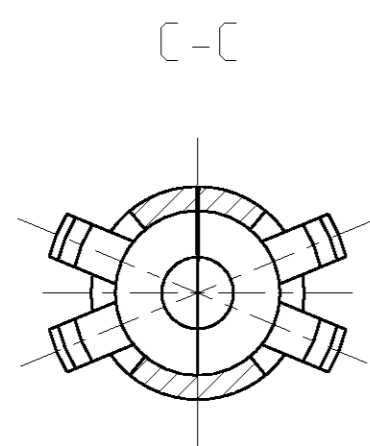
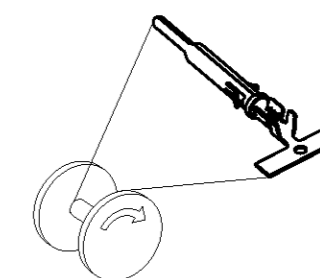
LOC	DIST	REVISIONS					
GT		P	LTR	DESCRIPTION	DATE	DWN	APVD
		J		SEE ECR-07-011920	15JUN2007	TK	RVL



J 2 REELING, DIRECTION OFF THE REEL



J 1 REELING, DIRECTION OFF THE REEL



Ø2.0-2.7	0.5-1.0	PRETINNED	CuZn30 R500	925602-1	J	2	925592-6
		PRETINNED	CuSn4 R520	925602-2	J	2	925592-5
		PRETINNED	CuSn4 R520	925602-2	J	1	925592-2
		PRETINNED	CuZn30 R500	925602-1	J	1	925592-1
INSULATION RANGE Isolations- durchmesser	WIRE RANGE DGB [mm ²]	FINISH Oberfläche	MATERIAL	TYCO ORDER No. LOOSE PIECE Einzelauflöhrung	REV		TYCO ORDER No. STRIP FORM Bandware

<small>THIS DRAWING IS A CONTROLLED DOCUMENT FOR TYCO ELECTRONICS CORPORATION IT IS SUBJECT TO CHANGE AND THE CONTROLLING ENGINEERING ORGANIZATION SHOULD BE CONTACTED FOR THE LATEST REVISION.</small>		DWN T.Konecny 05JUN2007
<small>DIMENSIONS: mm</small>		CHK J.Skoda 12JUN2007
<small>TOLERANCES UNLESS OTHERWISE SPECIFIED:</small>		APVD R.Vitek 14JUN2007
<small>1 PLC ±0.4</small> <small>2 PLC ±0.4</small> <small>3 PLC ±0.4</small> <small>PLC ANGLES ±1°</small> <small>FINISH</small>	<small>PRODUCT SPEC</small> <small>APPLICATION SPEC</small> <small>WEIGHT</small>	<small>NAME</small> CIC PIN CONTACT CIC Stiff
<small>MATERIAL</small> SEE TABLE	<small>SEE TABLE</small>	<small>SIZE</small> A2 <small>CAGE CODE</small> 00779 <small>DRAWING NO</small> G-925592 <small>RESTRICTED TO</small> -
<small>CUSTOMER DRAWING</small>		<small>SCALE</small> 10:1 <small>SHEET</small> 1 OF 1 <small>REV</small> J

<small>Tyco Electronics</small> Tyco Electronics Czech s.r.o. CZ - K AMP 1293, 664 34 Kurim	
<small>NAME</small> CIC PIN CONTACT CIC Stiff	
<small>SIZE</small> A2 <small>CAGE CODE</small> 00779 <small>DRAWING NO</small> G-925592	<small>RESTRICTED TO</small> -
<small>SCALE</small> 10:1 <small>SHEET</small> 1 OF 1 <small>REV</small> J	

单击下面可查看定价，库存，交付和生命周期等信息

[>>TE Connectivity\(泰科\)](#)