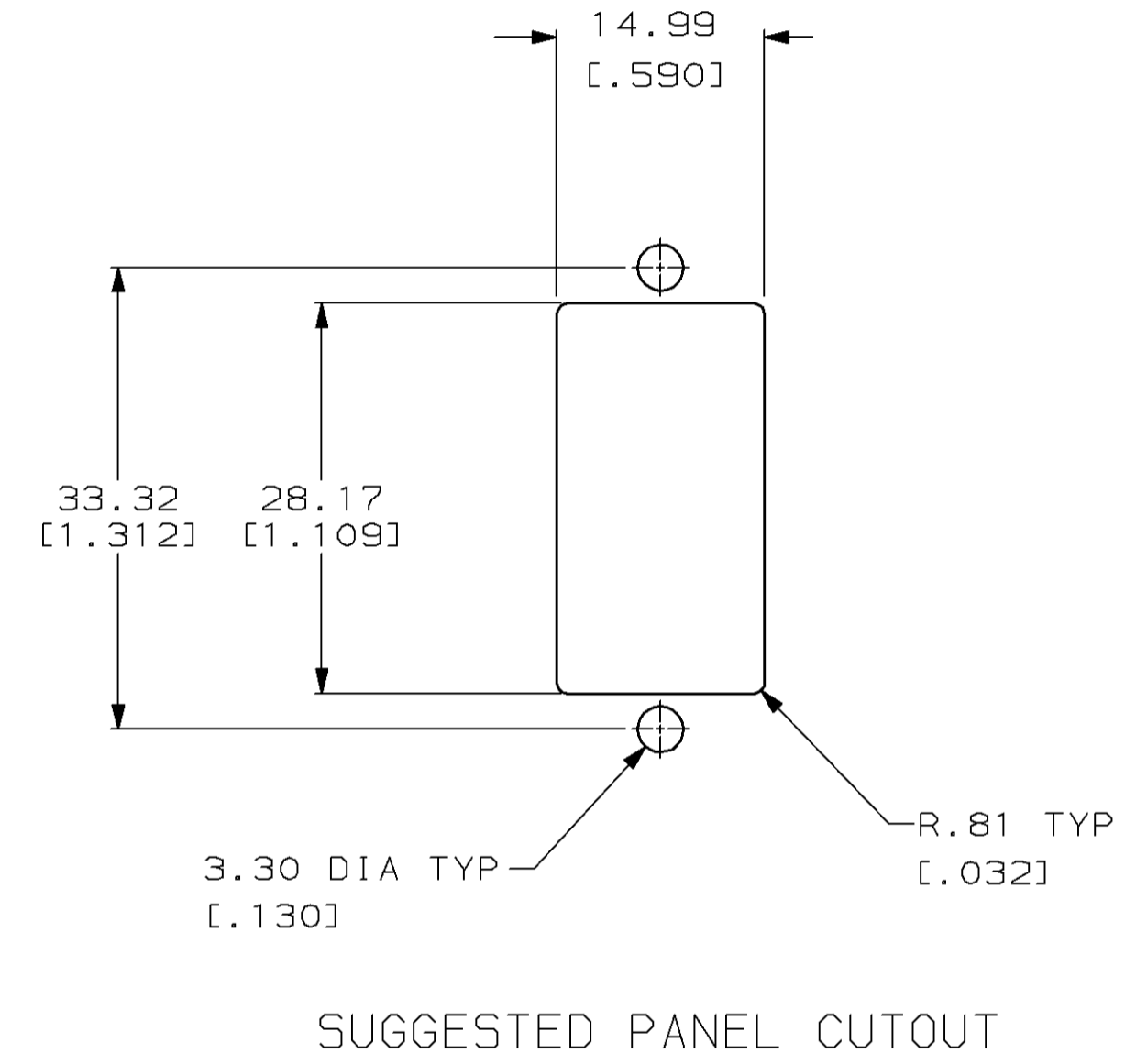
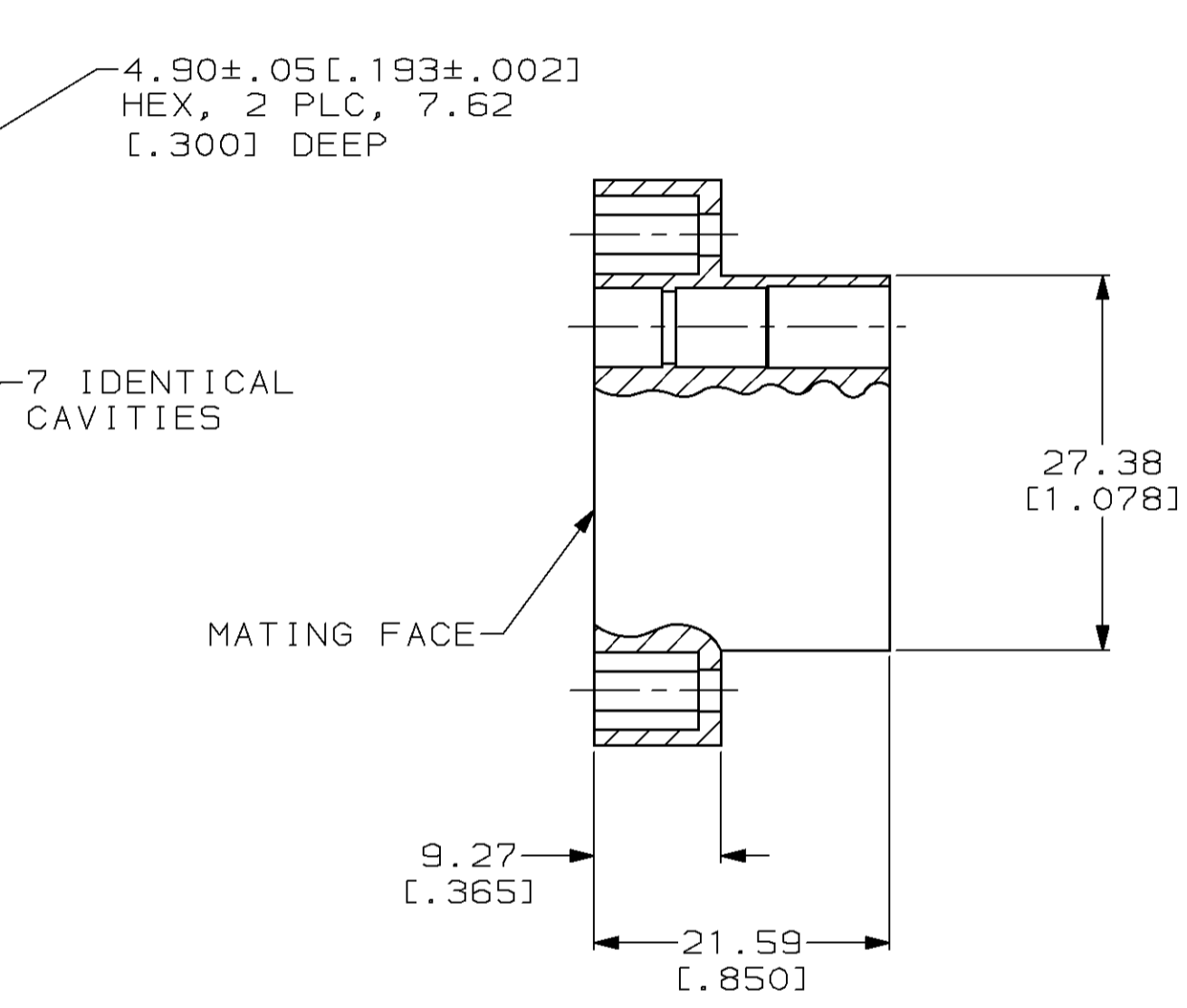
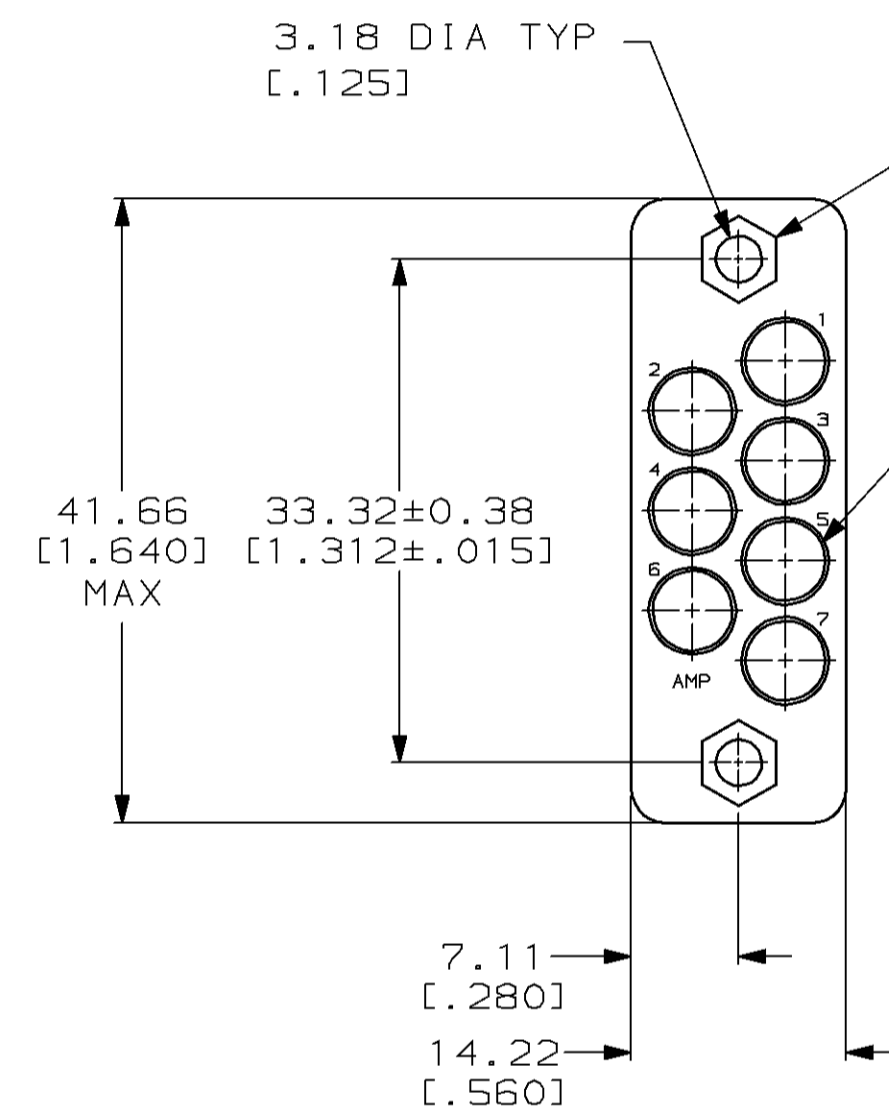


THIS DRAWING IS UNPUBLISHED. RELEASED FOR PUBLICATION, 19 .  
 © COPYRIGHT 19 BY AMP INCORPORATED. ALL INTERNATIONAL RIGHTS RESERVED.

LOC	DIST	P	F	ZONE	LTR	DESCRIPTION	DATE	APPD
AJ	16				U	REACTIVATE PER 0630-0391-98	10-05-98	MO



PHENOLIC (MIL-M-14F), BLACK	50063-1
MATERIAL	PART NUMBER

DO NOT SCALE PRINT. UNLESS SPECIFIED DIMENSIONS IN mm [INCHES] TOLERANCES ON : 2 PLC DEC ± .20 [.008] 3 PLC DEC ± - ANGLES ± -		DR 12/21/92 J.DAVIS		AMP Incorporated Harrisburg, PA 17105-3608	
MATERIAL SEE TABLE		CHK 12/21/92 J.McCLEOD			
FINISH -		APPD 12/21/92 J.DAVIS		NAME 7 POSN MIN COAX MALE BLOCK	
-		APPD 12/21/92 J.McCLEOD		SIZE C	
-		PRODUCT SPEC -		CAGE CODE 00779	
-		APPLICATION SPEC -		DRAWING NO G=50063	
-		WEIGHT .282 OZ.		SCALE 2:1	
-		-		SHEET 1 OF 1	

THIS DRAWING IS A CONTROLLED DOCUMENT FOR AMP INCORPORATED. IT IS SUBJECT TO CHANGE AND THE CONTROLLING ENGINEERING ORGANIZATION SHOULD BE CONTACTED FOR THE LATEST REVISION.

单击下面可查看定价，库存，交付和生命周期等信息

[>>TE Connectivity\(泰科\)](#)