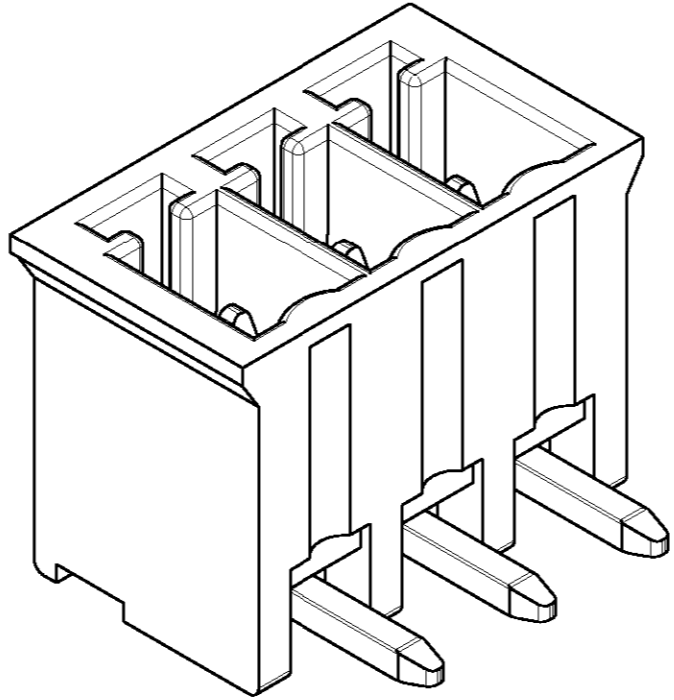
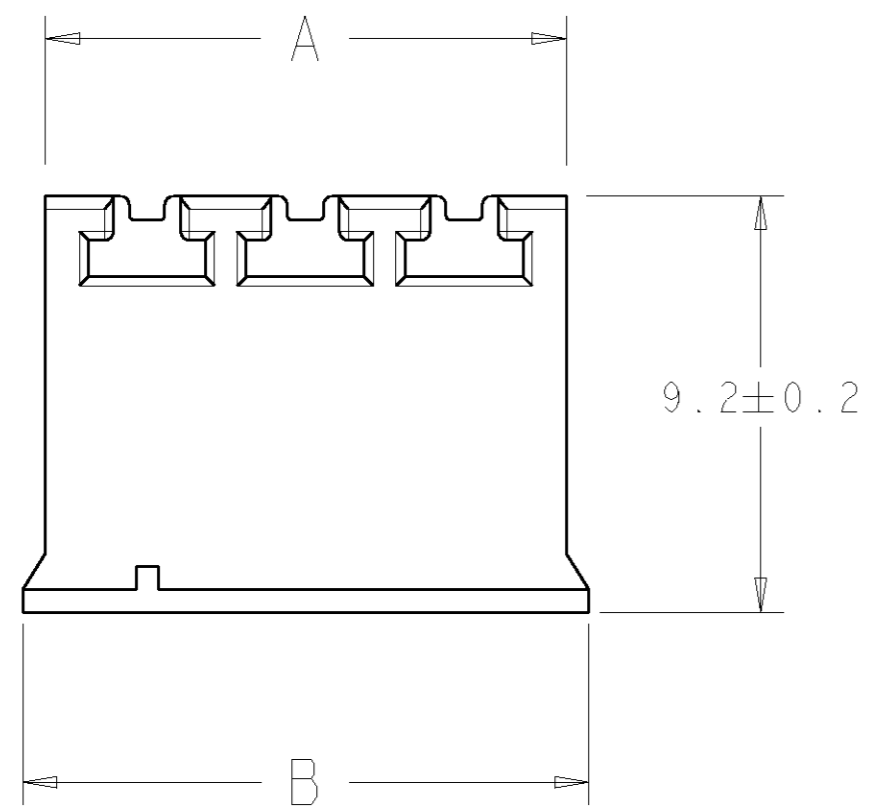


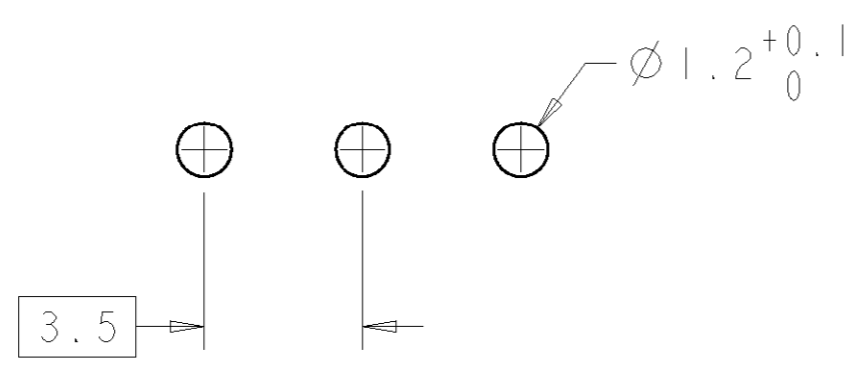
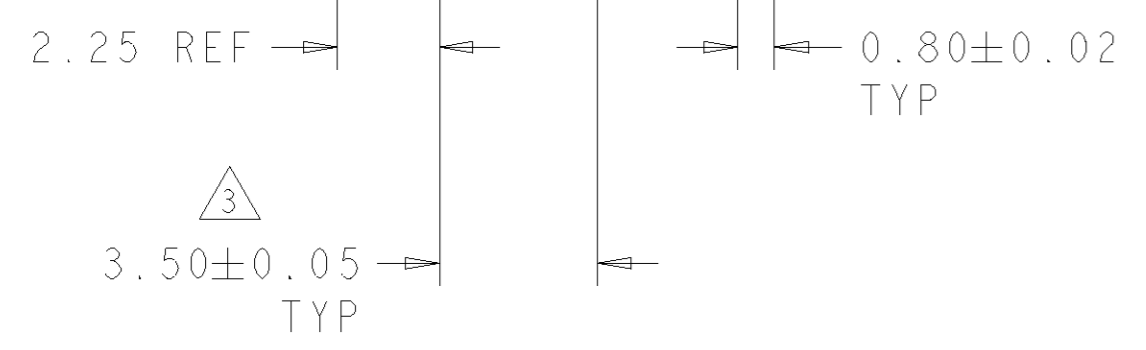
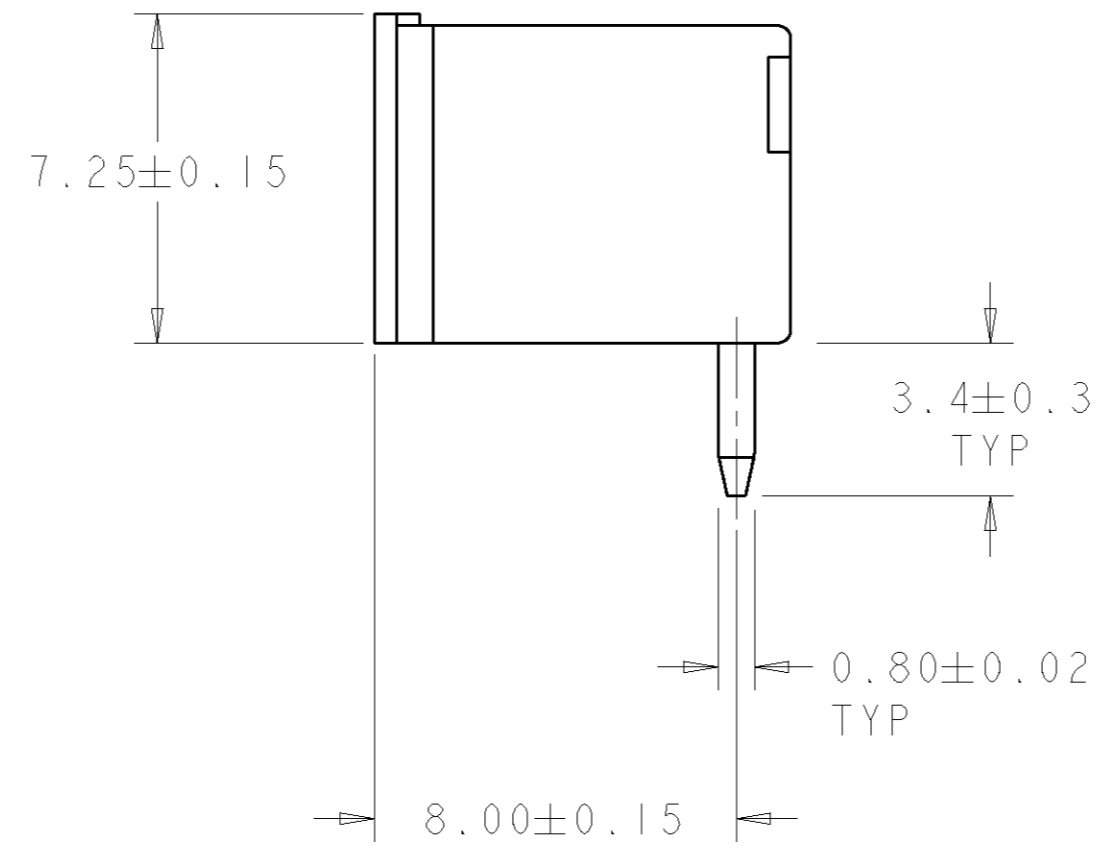
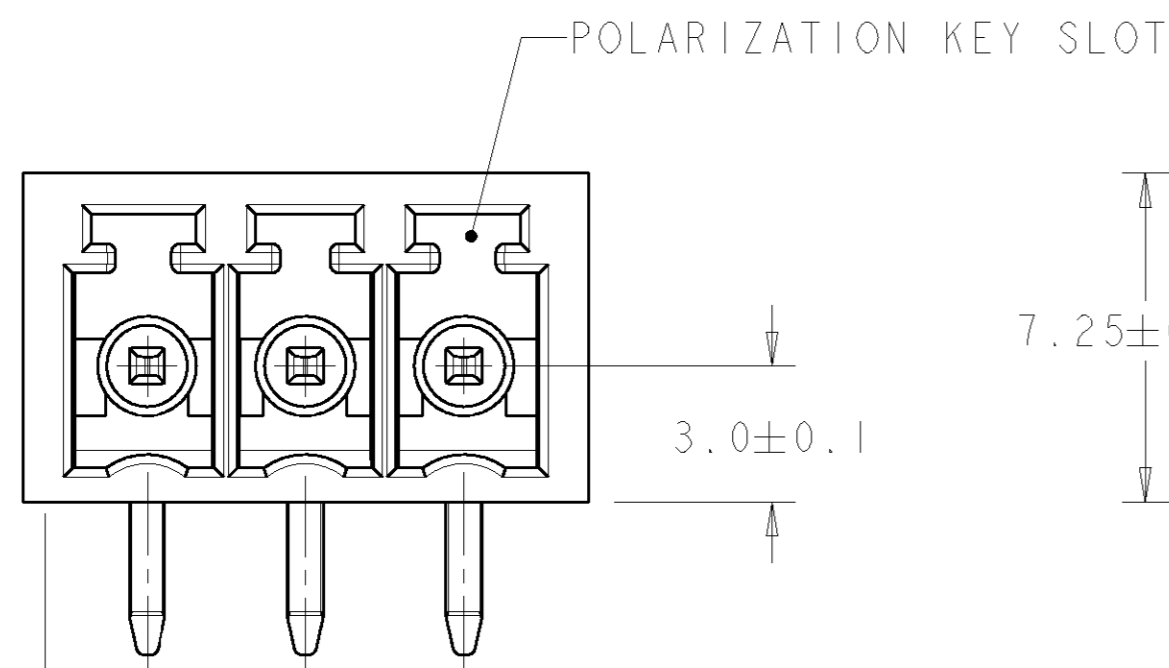
THIS DRAWING IS UNPUBLISHED. RELEASED FOR PUBLICATION 20  
 © COPYRIGHT 20 BY TYCO ELECTRONICS CORPORATION. ALL RIGHTS RESERVED.

LOC	DIST	REVISIONS					
FT	0	P	LTR	DESCRIPTION	DATE	DWN	APVD
		A		RELEASED	27NOV2000	-	-
		B		REVISED EC 0G3B-0401-04	02JUN2004	SW	CR



796695-3 AS SHOWN

- ⚠ MATERIALS AND FINISH:  
 HOUSING : PA 6.6, UL 94-V0, COLOR: BLUE (RAL 5012)  
 TERMINAL : BRASS, TIN PLATED
- 2. RECOMMENDED PC BOARD THICKNESS 1.6-2.4 MM.
- ⚠ NOT CUMULATIVE TOLERANCE.



RECOMMENDED PC BOARD LAYOUT

89.5	88.5	25	2-796695-5
86.0	85.0	24	2-796695-4
82.5	81.5	23	2-796695-3
79.0	78.0	22	2-796695-2
75.5	74.5	21	2-796695-1
72.0	71.0	20	2-796695-0
68.5	67.5	19	1-796695-9
65.0	64.0	18	1-796695-8
61.5	60.5	17	1-796695-7
58.0	57.0	16	1-796695-6
54.5	53.5	15	1-796695-5
51.0	50.0	14	1-796695-4
47.5	46.5	13	1-796695-3
44.0	43.0	12	1-796695-2
40.5	39.5	11	1-796695-1
37.0	36.0	10	1-796695-0
33.5	32.5	9	796695-9
30.0	29.0	8	796695-8
26.5	25.5	7	796695-7
23.0	22.0	6	796695-6
19.5	18.5	5	796695-5
16.0	15.0	4	796695-4
12.5	11.5	3	796695-3
9.0	8.0	2	796695-2
B	A	NO. OF POSN	PART NUMBER

THIS DRAWING IS A CONTROLLED DOCUMENT FOR TYCO ELECTRONICS CORPORATION IT IS SUBJECT TO CHANGE AND THE CONTROLLING ENGINEERING ORGANIZATION SHOULD BE CONTACTED FOR THE LATEST REVISION.		DWN S. WELDON 27NOV2000 CHK D. BIEVENOUR 27NOV2000 APVD D. BIEVENOUR 27NOV2000	Tyco Electronics Harrisburg, PA 17105-3608
DIMENSIONS: mm	TOLERANCES UNLESS OTHERWISE SPECIFIED: 0 PLC ± 1 PLC ±0.3 2 PLC ±0.25 3 PLC ±0.000 4 PLC ±0.000 ± ANGLES FINISH	PRODUCT SPEC - APPLICATION SPEC - WEIGHT -	NAME TERMI BLOK, HEADER ASSEMBLY, 90 DEGREE, CLOSED ENDS, 3.5 mm PITCH
MATERIAL ⚠	FINISH ⚠	CUSTOMER DRAWING	SIZE A2 CAGE CODE 00779 DRAWING NO. G-796695 RESTRICTED TO - SCALE 6:1 SHEET 1 OF 1 REV B

单击下面可查看定价，库存，交付和生命周期等信息

[>>TE Connectivity\(泰科\)](#)