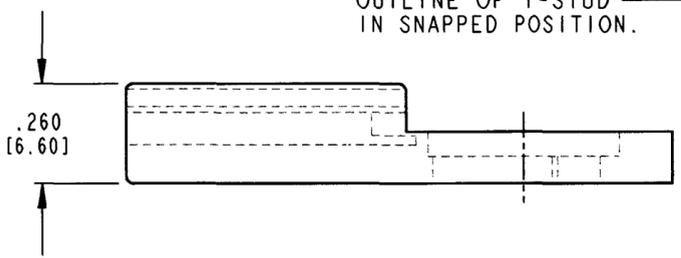
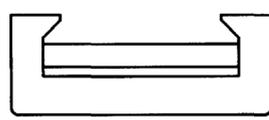
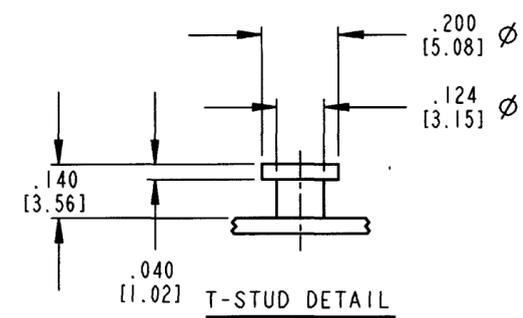
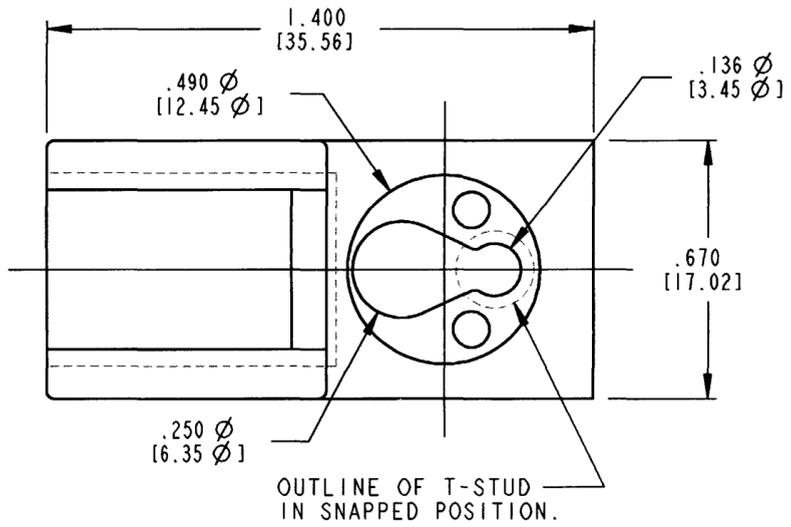


REV
A 1011-030-0205

REVISIONS			
SYM	DESCRIPTION	DATE	APPROVED
NC	NEW RELEASE PER E.O. A13772	3/19/92	J.A.
A	REVISED PER E.O. P17971	12/31-02	ROR



NOTES:
 1. ALL DIMENSIONS ARE IN INCHES [MILLIMETERS].
 2. DIMENSIONS ARE ±.025 [0.64] UNLESS OTHERWISE SPECIFIED.
 3. MATERIAL: PLASTIC; COLOR: BLACK

SIGNATURE & DATE	
DR	C. WOODRUFF 17MAR92
CHK	<i>Janice G...</i> 12/30/02
PE	<i>Tej...</i> 12/30/02
APPD	<i>SP...</i> 12-30-02
SCALE	NONE
WT	

ATTACHMENT CLIP
 FOR: DT RECEPTACLE
 SIZES: 2, 3, 4, 6, 12
 T-STUD MOUNT
 DT SERIES
 ENVELOPE

CP	MATL. CODE
The Deutch Company	
DEUTSCH I.P.D. 3850 INDUSTRIAL AVE. HEMET, CALIF. 92545	
B	1011-030-0205
DWG SIZE	CODE 1/139 SHEET OF

单击下面可查看定价，库存，交付和生命周期等信息

[>>TE Connectivity\(泰科\)](#)