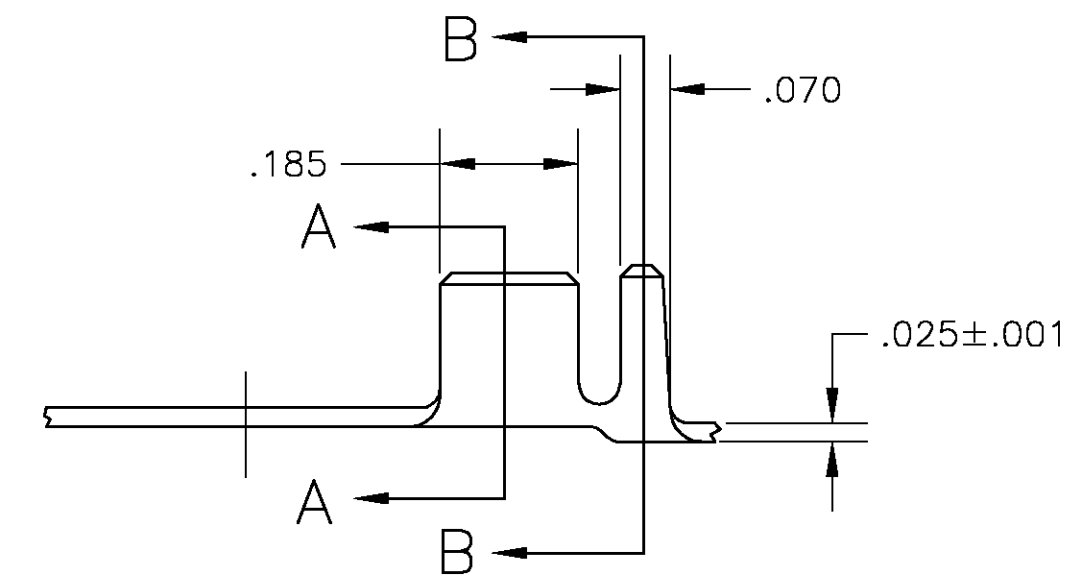
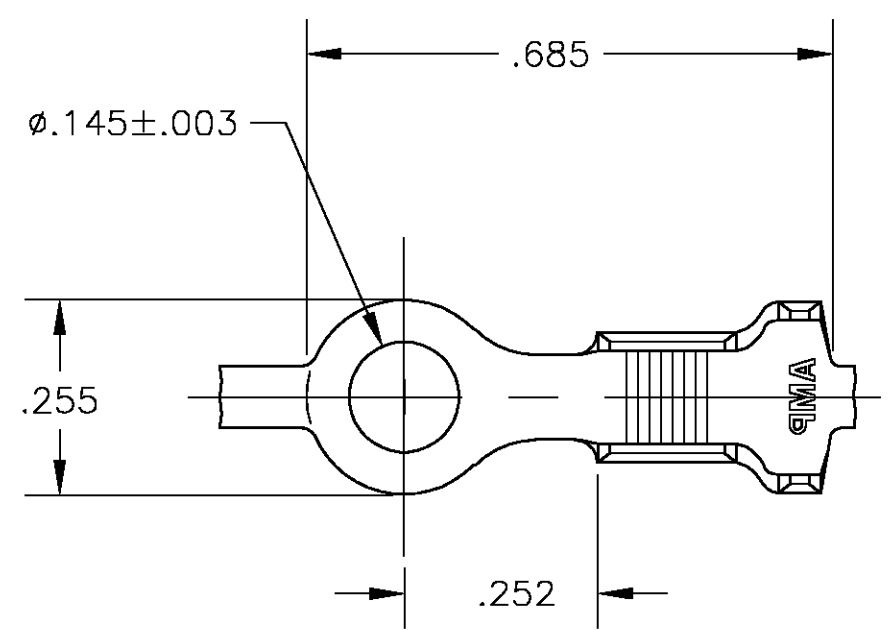
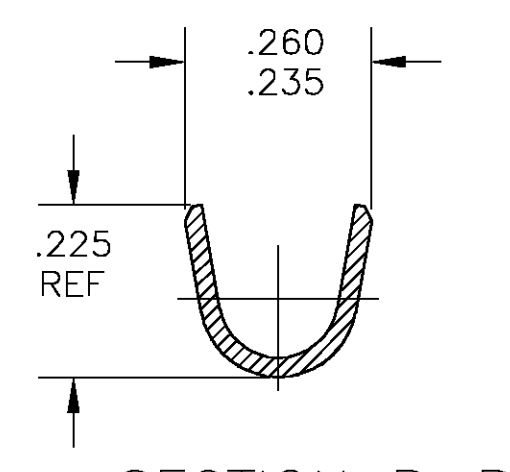
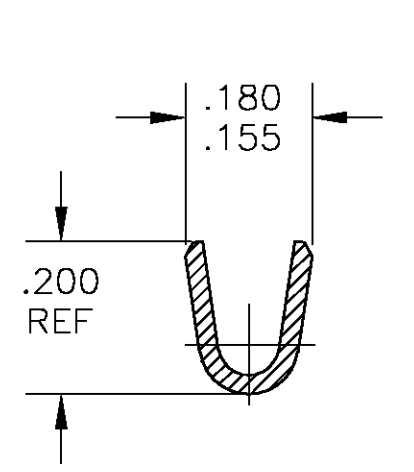


THIS DRAWING IS UNPUBLISHED. RELEASED FOR PUBLICATION  
 © COPYRIGHT BY TYCO ELECTRONICS CORPORATION. ALL RIGHTS RESERVED.

LOC	DIST	REVISIONS			
P	LTR	DESCRIPTION	DATE	DWN	APVD
AF	50	A	REL PER 0G3A-0797-03	15DEC03	JR DD



- 1 CONTINUOUS STRIP ON REELS
- 2 WIRE SIZE IS #16-#12 AWG
- 3 INSULATION DIA IS .130-.170 DIA



SECTION A-A

SECTION B-B

1217996-1  
 PART NO

THIS DRAWING IS A CONTROLLED DOCUMENT.		DWN jr_ruth 10SEP03	Tyco Electronics Corporation Harrisburg, PA 17105			
DIMENSIONS: INCHES		CHK D DECKER 10SEP03				NAME RING TONGUE
TOLERANCES UNLESS OTHERWISE SPECIFIED:		APVD D DECKER 10SEP03	PRODUCT SPEC			
0 PLC ± - 1 PLC ± - 2 PLC ± - 3 PLC ± .010 4 PLC ± - ANGLES ± 1'		APPLICATION SPEC	RESTRICTED TO			
MATERIAL H04 BRASS		FINISH	WEIGHT	SIZE A3	CAGE CODE 00779	DRAWING NO C-1217996
CUSTOMER DRAWING			SCALE 4:1	SHEET 1 OF 1	REV A	

单击下面可查看定价，库存，交付和生命周期等信息

[>>TE Connectivity\(泰科\)](#)