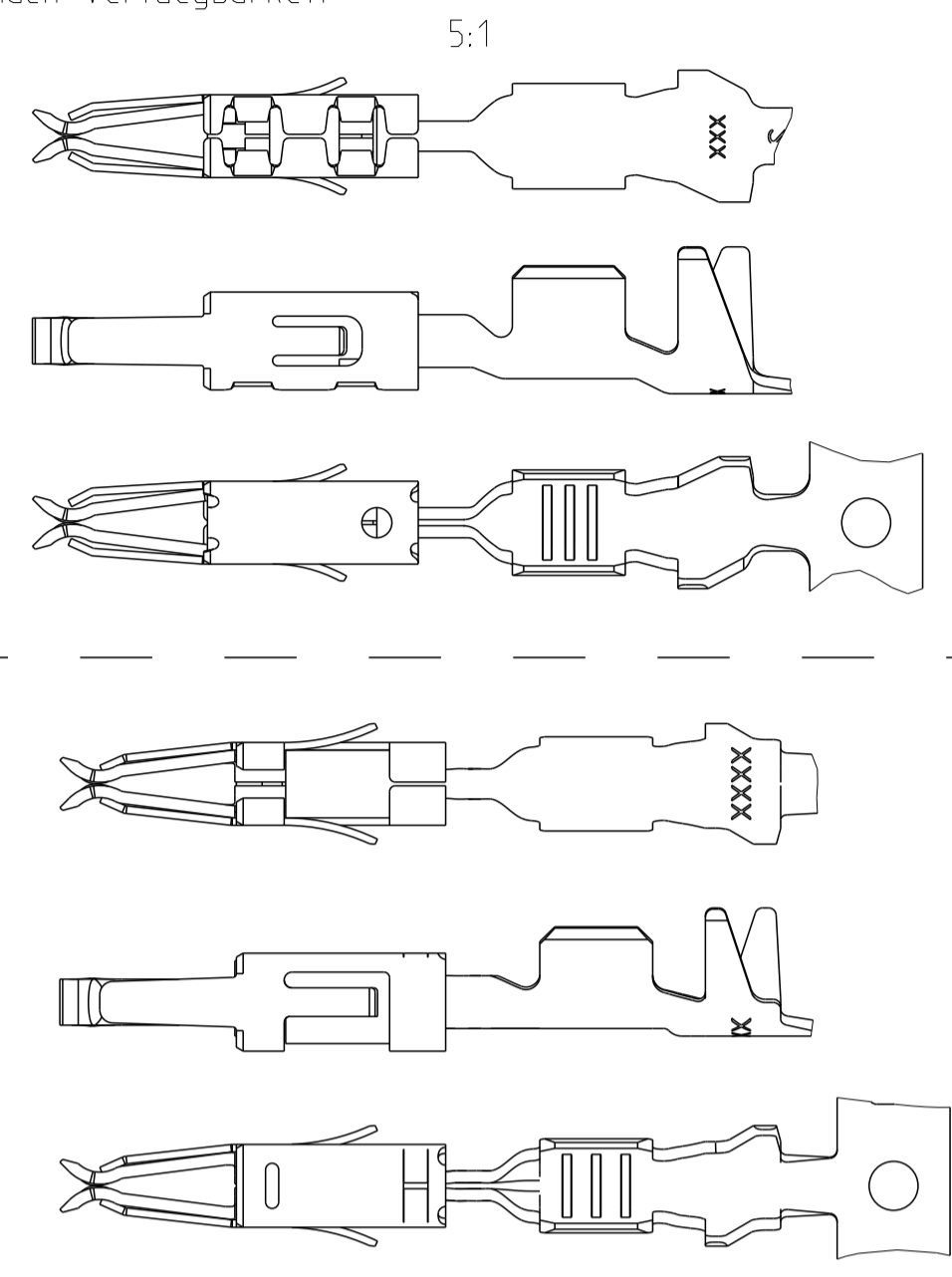
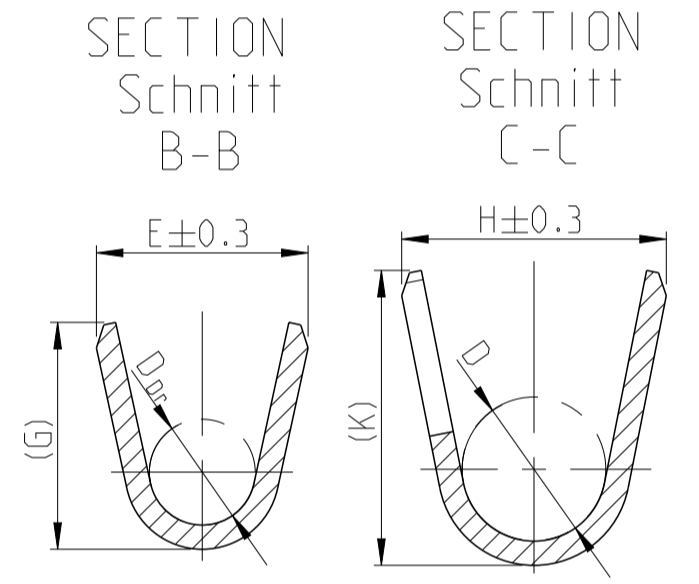
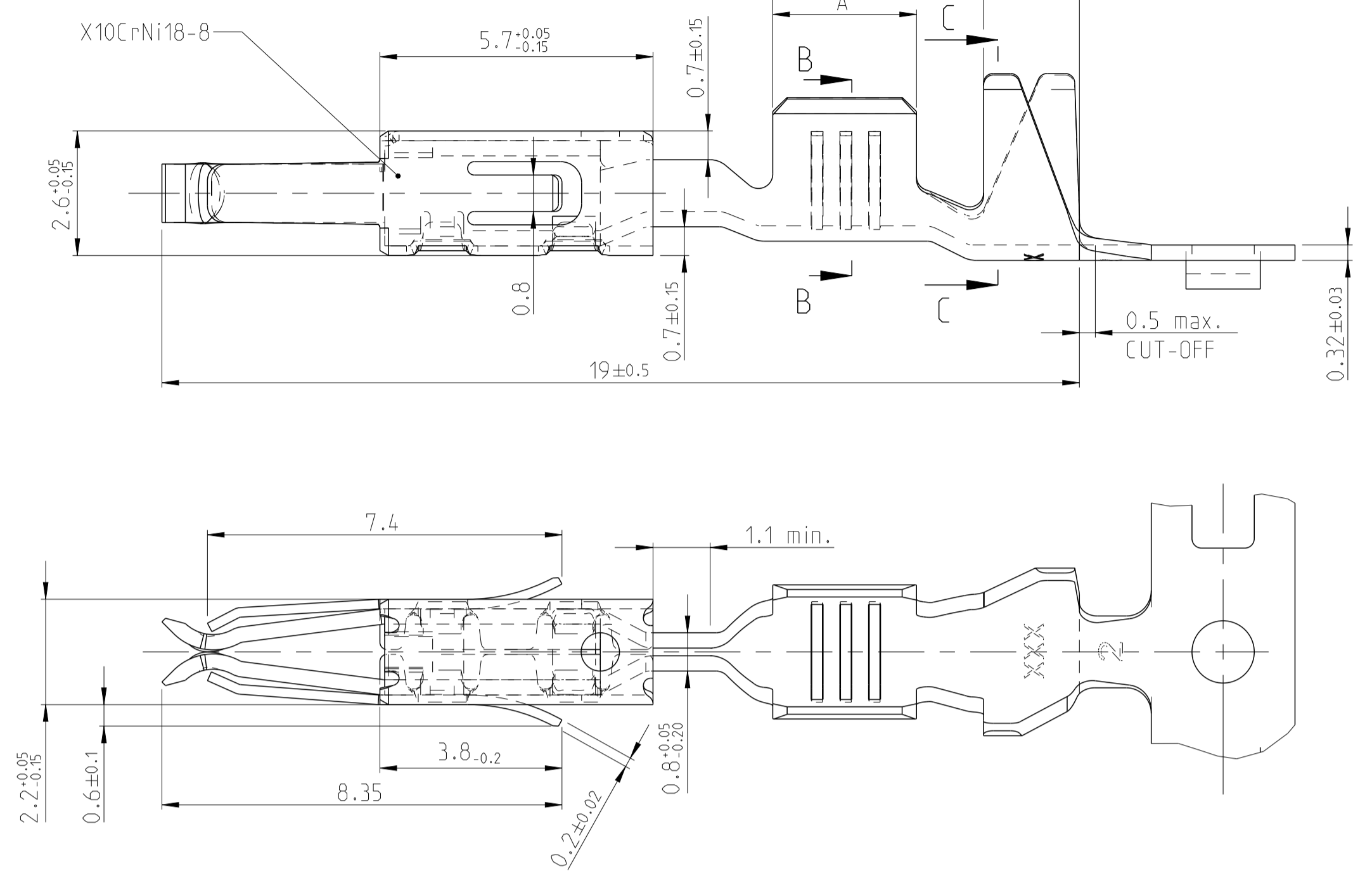


SPRING / Ueberfeder

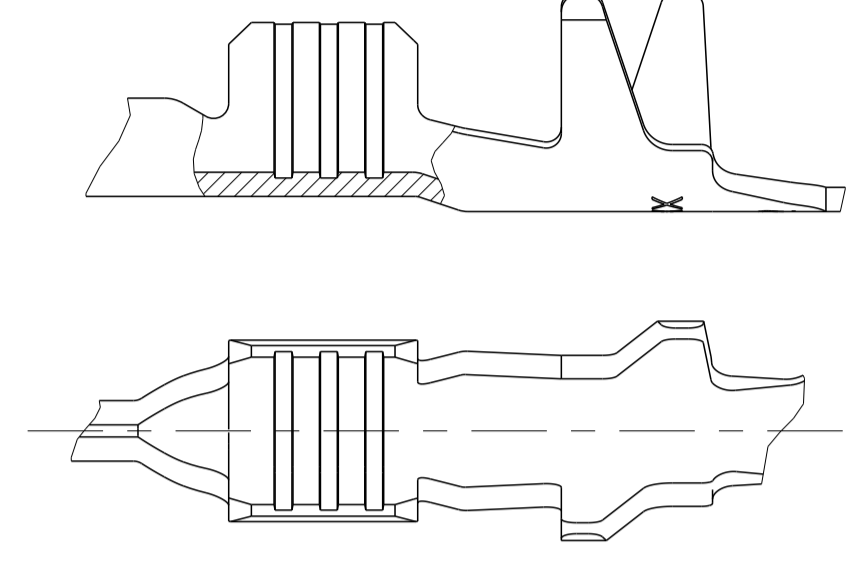
DIFFERENT TOOL DETAILS
 Verschiedene Werkzeugausfuehrungen
 FUNCTION AND HANDLING WITH
 ALL DETAILS CONTINUOUSLY
 Funktion und Handhabung
 bei allen Ausfuehrungen gleich
 SUPPLY BASED ON AVAILABILITY
 Lieferung nach Veruegbarkeit

DESIGN 1
 Ausfuehrung 1

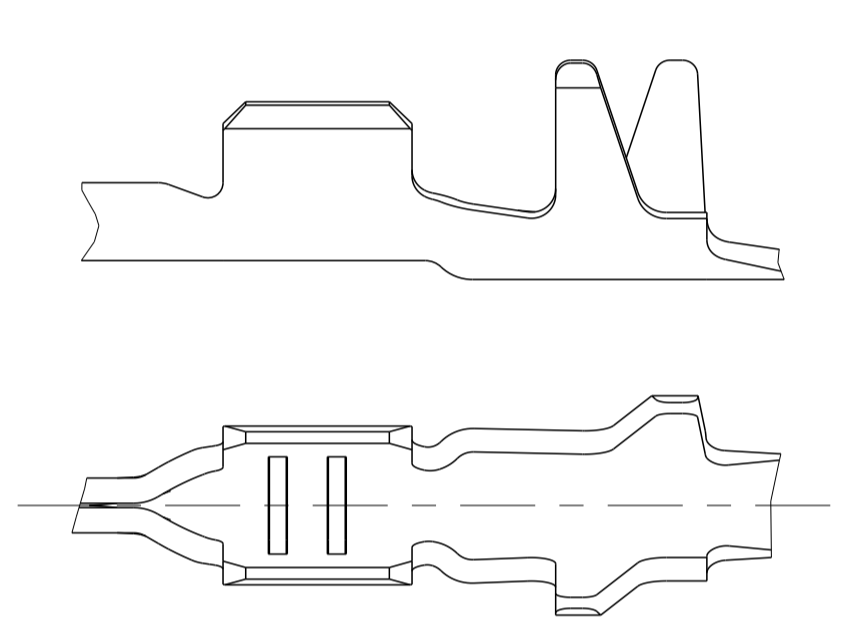


FLR-WIRE
 FLR-Leitung

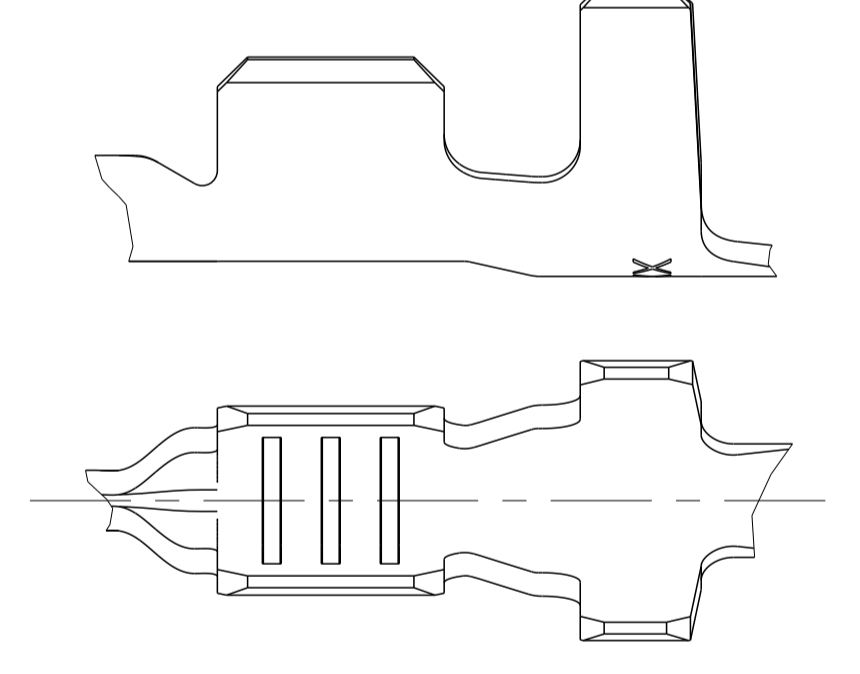
DESIGN 2
 Ausfuehrung 2



DESIGN 3
 Ausfuehrung 3



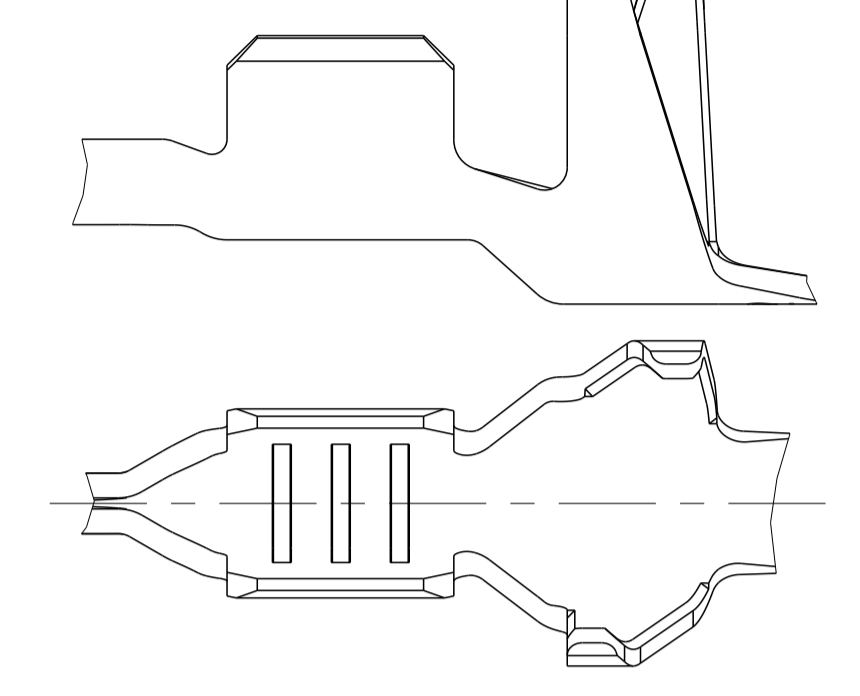
DESIGN 4
 Ausfuehrung 4



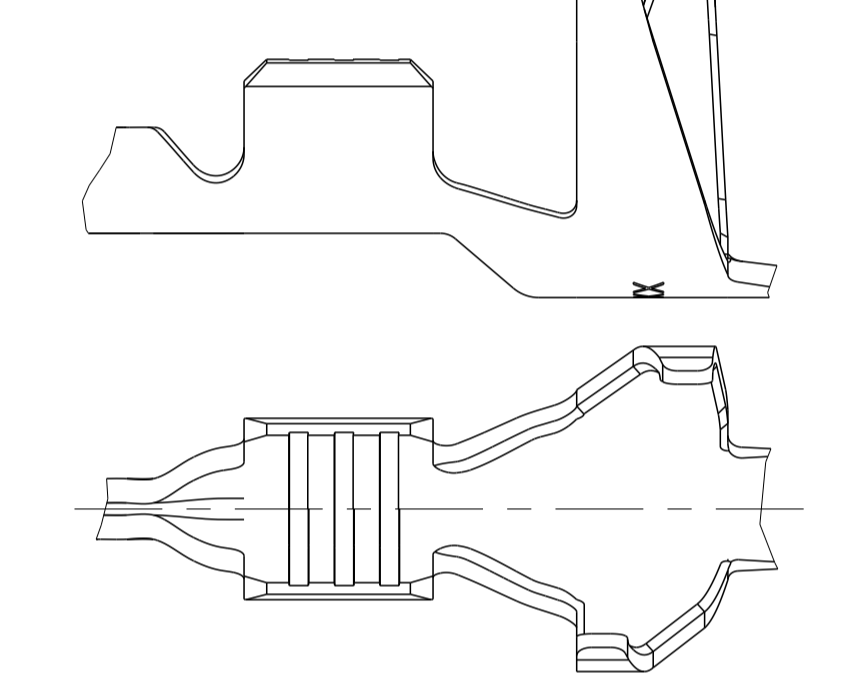
REVISIONS					
P.	LTN	DESCRIPTION	DATE	DMN	APVD
B9		New Creo drawing created and PN's obsolete	16APR2016	Hornika	M. Eder
B10		964274-8 and 2141902-8 added	12FEB2015	Mahrke	Schm.
B11		ADD PRODUCT WEIGHT	10JUN2016	Hornika	Schm.
B12		DRAWING VIEW CORRECTED	17JUN2016	HD	SCH

FLR- AND FLK-CABLE
 FLR- und FLK- Leitung

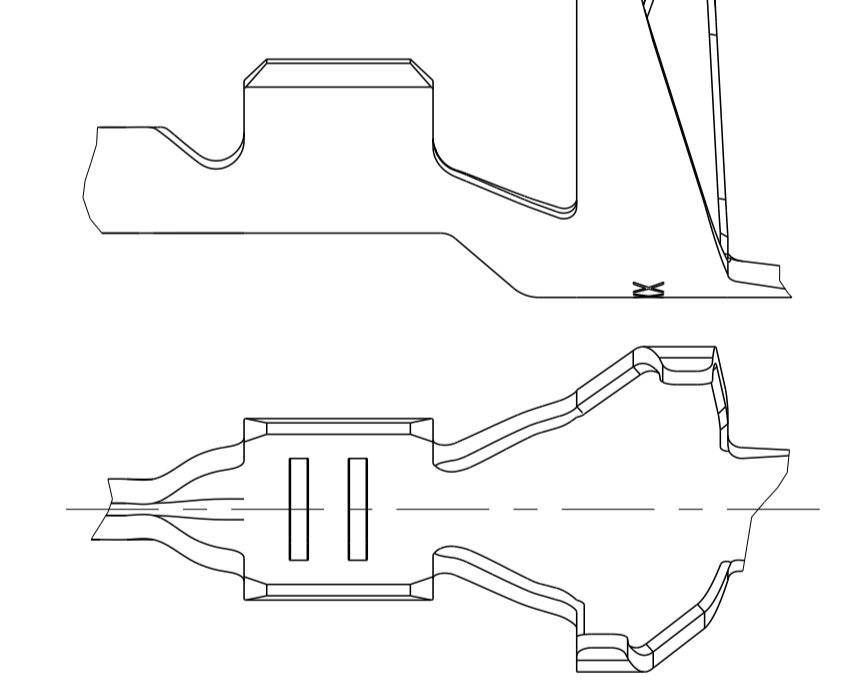
DESIGN 5
 Ausfuehrung 5



DESIGN 6
 Ausfuehrung 6



DESIGN 7
 Ausfuehrung 7

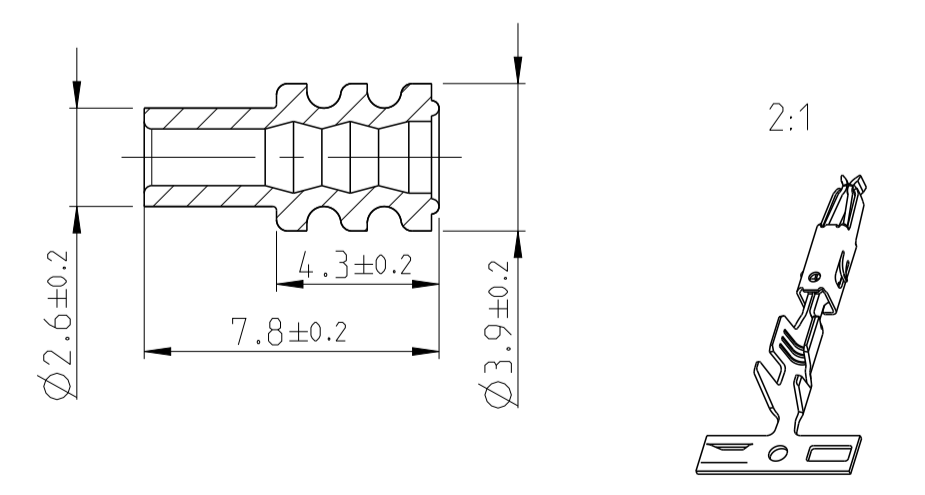


SINGLE WIRE SEAL/ Einzelichtungssystem	REV.	DESIGN Ausfuehrung	MATERIAL Oberflaeche	SURFACE Oberflaeche	WIRE RANGE Drahtgroessen Bereich [mm²]	INSULATION Isolations Ø [mm]	STRIP FORM WIRE CRIMP Drahtcrimp Iso.-Crimp Bandware			A	B	C	CRIMP DATA AND CRIMP TOOL Crimpdaten u. Crimpwerkzeuge
							E	G	D _{Dr}				
UNSCALED/ ungedichtet	4-964274-1	E	CuNiSi	PRETINNED vorverzinkt	0.5-1.0	1.4-2.1	E = 2.5 G = 2.7 D _{Dr} = 1.2	H = 4.3 K = 4.8 D = 2.7	3.0	4.4	6.4	SEE APPLICATION - SPECIFICATION siehe Verarbeitungsspezifikation 114-18081	
	964274-8	A	CuFe 2	SILVER PLATED versilbert	0.35	1.2-1.3	E = 2.4 G = 2.3 D _{Dr} = 1.0	H = 4.3 K = 4.8 D = 2.6	2.5	4.4	6.4		
	964274-3	E	CuSn 4	PRETINNED vorverzinkt									
	964274-2	E	CuFe 2	PRETINNED vorverzinkt	0.2-0.5	1.15-1.6	E = 2.1 G = 2.1 D _{Dr} = 0.8	H = 4.3 K = 4.8 D = 2.6	2.5	4.4	6.4		
	2141902-8	A	CuFe 2	SILVER PLATED versilbert									
	2141902-3	A	CuSn 4	PRETINNED vorverzinkt									
	2141902-2	A	CuFe 2	PRETINNED vorverzinkt	1.5	2.2-2.4	E = 2.8 G = 3.0 D _{Dr} = 1.4	H = 3.5 K = 3.9 D = 1.9	3.0	4.4	6.4		
4-969005-1	F	CuNiSi	PRETINNED vorverzinkt										
969005-3	F	CuSn 4	PRETINNED vorverzinkt	0.5-1.0	1.4-2.1	E = 2.5 G = 2.7 D _{Dr} = 1.2	H = 3.7 K = 3.9 D = 1.8	3.0	4.6	6.2			
969005-2	F	CuFe 2	PRETINNED vorverzinkt										
UNSCALED/ ungedichtet	1241844-2	A	CuFe 2	PRETINNED vorverzinkt	0.5-1.0	1.4-2.1	E = 2.5 G = 2.7 D _{Dr} = 1.2	H = 3.2 K = 3.4 D = 1.8	3.0	4.4	6.4		
	964348-2	C	CuFe 2	PRETINNED vorverzinkt									
	964263-3	D	CuSn 4	PRETINNED vorverzinkt	0.35	1.2-1.3	E = 2.4 G = 2.3 D _{Dr} = 1.0	H = 2.9 K = 2.9 D = 1.4	2.5	4.4	6.4		
	964263-2	D	CuFe 2	PRETINNED vorverzinkt									
	2141900-3	A	CuSn 4	PRETINNED vorverzinkt	0.2-0.5	1.15-1.6	E = 2.1 G = 2.1 D _{Dr} = 0.8	H = 2.9 K = 2.9 D = 1.4	2.5	4.4	6.4		
	2141900-2	A	CuFe 2	PRETINNED vorverzinkt									
	4-964261-1	D	CuNiSi	PRETINNED vorverzinkt	0.2-0.5	1.15-1.6	E = 2.1 G = 2.1 D _{Dr} = 0.8	H = 2.9 K = 2.9 D = 1.4	2.5	4.4	6.4		
964261-3	D	CuSn 4	PRETINNED vorverzinkt										
964261-2	D	CuFe 2	PRETINNED vorverzinkt										

NOTES
 Bemerkungen

- 1 BODY ELECTRO TIN PLATED OVER NICKEL 0.2 µm min.
Kontaktkoerper gal. verzinkt ueber Nickel 0.2 µm min.
CONTACT AREA SELECTIV GOLD OVER NICKEL 0.8 µm min.
Kontaktzone selectiv vergoldet ueber Nickel 0.8 µm min.
WIRE CRIMP AREA ELECTRO TIN PLATED OVER NICKEL 1 µm min.
Drahtcrimpbereich gal. verzinkt ueber Nickel 1 µm min.
- 2 FOR DOUBLE- AND SINGLE TERMINATION
Fuer Doppel- und Einzelanschlaege
- 3 ACCORDING TO INSULATION DIA IS TO CHOOSE THE SINGLE WIRE SEAL
Entsprechend dem Isolationsdurchmesser ist die Einzel-Dichtung auszuwaehlen
- 4 BODY ELECTRO TIN PLATED OVER NICKEL 0.2µm min.
Kontaktkoerper gal. verzinkt ueber Nickel 0.2µm min.
CONTACT AREA SELECTIV GOLD OVER NICKEL 0.8µm min.
Kontaktzone selectiv vergoldet ueber Nickel 0.8µm min.
WIRE CRIMP AREA ELECTRO TIN PLATED 1µm min.
Drahtcrimpbereich gal. verzinkt
- 5 SERRATIONS OVER THE WHOLE WIDTH OF THE WIRE CRIMP AREA
Rillen ueber die ganze Breite des Drahtcrimpbereiches

SINGLE WIRE SEAL Einzel-Dichtung		
964972-1	1.9-2.1	YELLOW gelb
963530-1	1.4-1.9	GREY grau
964971-1	1.2-1.6	RED rot
ORDER No. Bestell-Nr.	INSULATION Ø Isolations Ø	COLOUR Farbe



THIS DRAWING IS A CONTROLLED DOCUMENT.

DIMENSIONS: mm	TOLERANCES UNLESS OTHERWISE SPECIFIED: ±0.2	DMN M. Preiltschilfer	16SUG2000	TE Connectivity
MATERIAL	FINISH	CHK V. Huhn	16AUG2000	
		APVD M. Bleicher	16NOV2001	
		PRODUCT SPEC	108-18055	NAME PRODUCT GROUP DRAWING FOR MICRO TIMER 2 CONTACT TYPE A
		APPLICATION SPEC	114-18081	Produkt-Gruppen-Zeichnung fuer Micro Timer II
		WEIGHT	0.3g	SIZE CAGE CODE DRAWING NO
		Customer Drawing		RESTRICTED TO
				SCALE 5:1 SHEET 1 OF 1 REV B12

单击下面可查看定价，库存，交付和生命周期等信息

[>>TE Connectivity\(泰科\)](#)