

4

3

2

1

THIS DRAWING IS UNPUBLISHED.

RELEASED FOR PUBLICATION

20

© COPYRIGHT 20 BY -

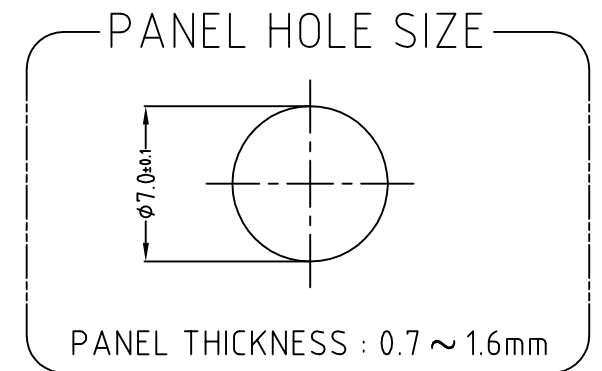
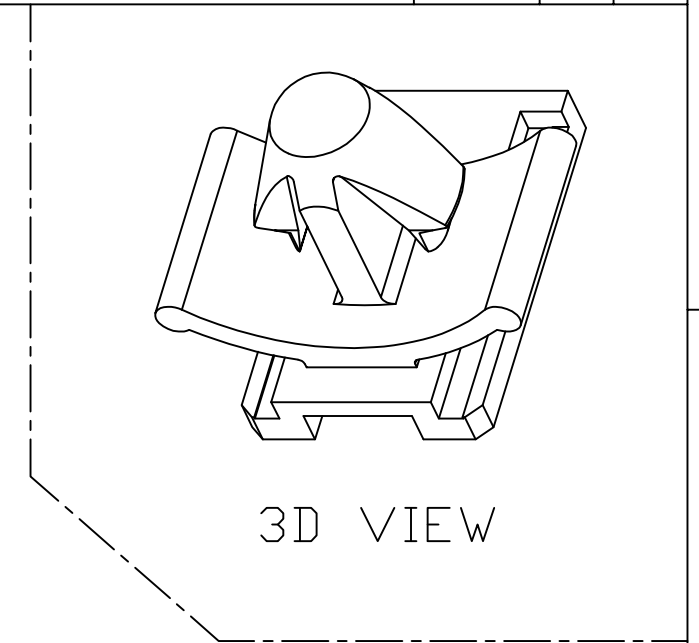
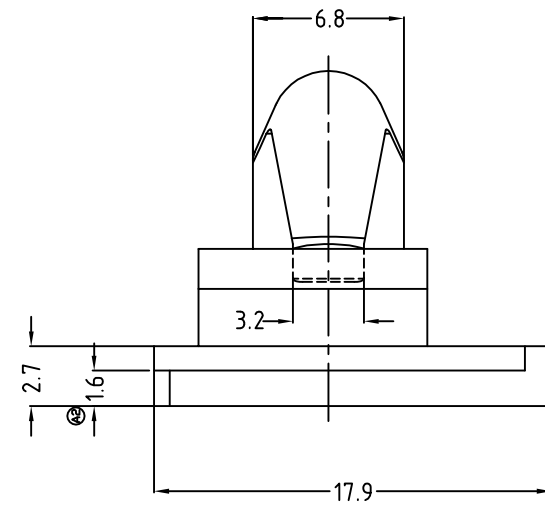
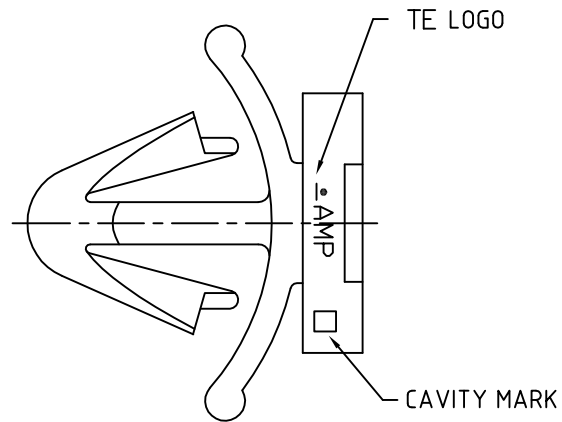
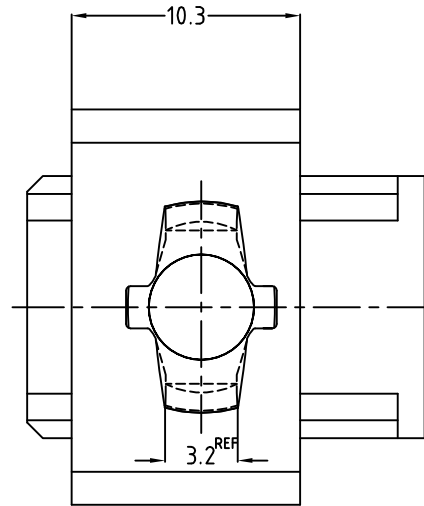
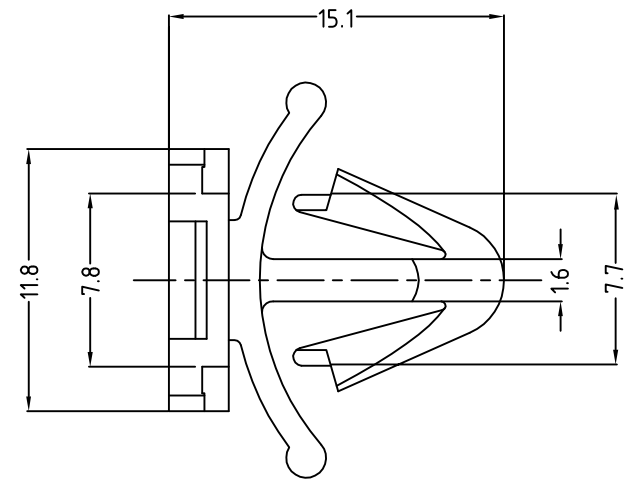
ALL RIGHTS RESERVED.

LOC DS

DIST -

REVISIONS

| P | LTR | DESCRIPTION | DATE | DWN | APVD |
|---|-----|-------------------------|------------|-----|------|
| | A3 | REVISED (ECR-13-005245) | 07.MAR.'13 | JM | HG |



| | | |
|---------|----------|----------|
| BLACK | PA66 | 368260-2 |
| NATURAL | PA66 | 368260-1 |
| COLOR | MATERIAL | P/N |

THIS DRAWING IS A CONTROLLED DOCUMENT.

| DIMENSIONS: | TOLERANCES UNLESS OTHERWISE SPECIFIED: |
|-------------|--|
| MM | 0 <XX<10 ± 0.2 |
| | 10<XX<30 ± 0.25 |
| | 30<XX ± 0.3 |
| | ANGLES ± 3° |

| MATERIAL | FINISH |
|----------|--------|
| - | - |

| | |
|------------------|---------|
| DWN | JM JEON |
| CHK | JW JUNG |
| APVD | HG CHD |
| PRODUCT SPEC | - |
| APPLICATION SPEC | - |
| WEIGHT | - |



| NAME | | | |
|----------------------------------|-----------|--------------|---------------|
| CLIP HSG FOR .090II MLC(φ7 HOLE) | | | |
| SIZE | CAGE CODE | DRAWING NO | RESTRICTED TO |
| A3 | 00779 | ©=368260 | - |
| SCALE 3/1 | | SHEET 1 OF 1 | REV A3 |

单击下面可查看定价，库存，交付和生命周期等信息

[>>TE Connectivity\(泰科\)](#)