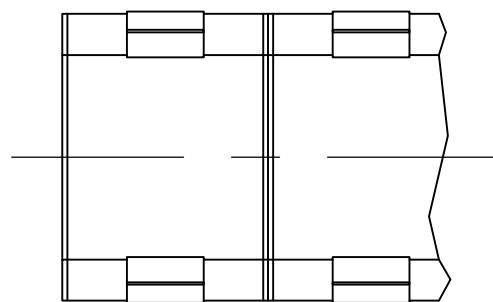
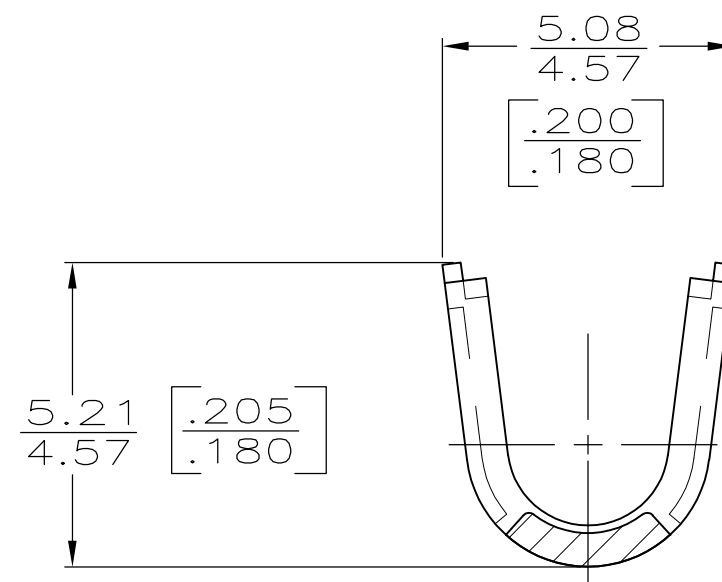
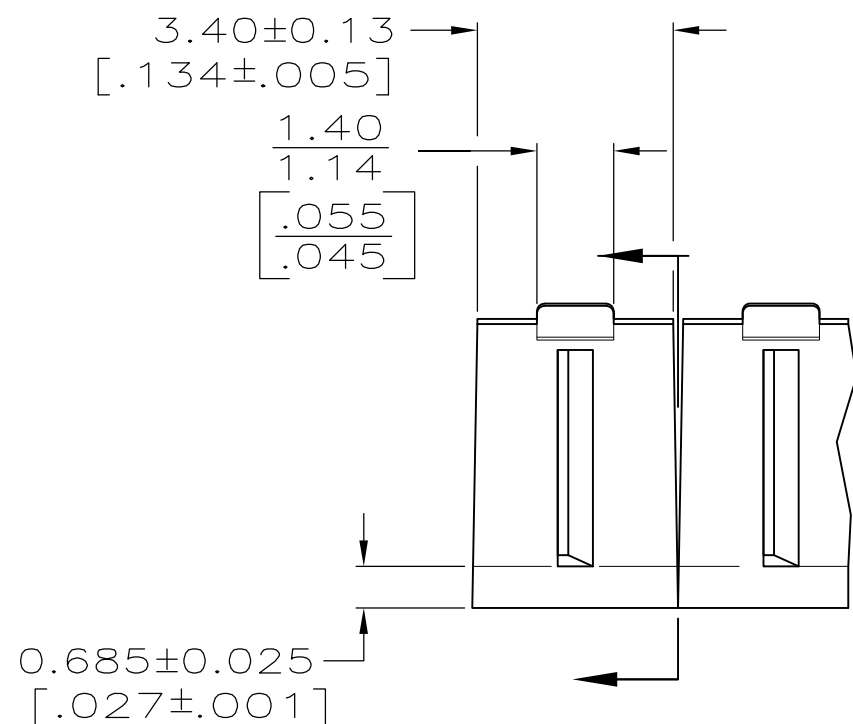


THIS DRAWING IS UNPUBLISHED. RELEASED FOR PUBLICATION  
 © COPYRIGHT BY TYCO ELECTRONICS CORPORATION. ALL INTERNATIONAL RIGHTS RESERVED.

LOC	DIST	REVISIONS			
P	LTR	DESCRIPTION	DATE	DWN	APVD
AF	00	A	REVISED PER ECO-11-002322	03FEB11	HMR GJ



1 CONTINUOUS STRIP ON REELS.



PRE-PLATED TIN OVER COPPER	40864-1
UNPLATED	40864
FINISH	PART NO

THIS DRAWING IS A CONTROLLED DOCUMENT.		DWN P FORTNEY 1/14/91	Tyco Electronics Corporation Harrisburg, PA 17105-3608		
DIMENSIONS: mm [INCHES]	TOLERANCES UNLESS OTHERWISE SPECIFIED:	CHK MS FEHER 1/14/91	NAME		
	0 PLC ± -	APVD D SCHWENK 1/16/91	SPLICE, RESISTOR		
	1 PLC ± -	PRODUCT SPEC	-		
MATERIAL #1 HARD BRASS	FINISH SEE TABLE	2 PLC ± 0.25 [.010]	APPLICATION SPEC	SIZE	CAGE CODE
		3 PLC ± -	---	A3	00779
		4 PLC ± -	WEIGHT	DRAWING NO	RESTRICTED TO
		ANGLES ± -	-	C-40864	-
CUSTOMER DRAWING			SCALE	SHEET	REV
			8:1	1 OF 1	A

单击下面可查看定价，库存，交付和生命周期等信息

[>>TE Connectivity\(泰科\)](#)