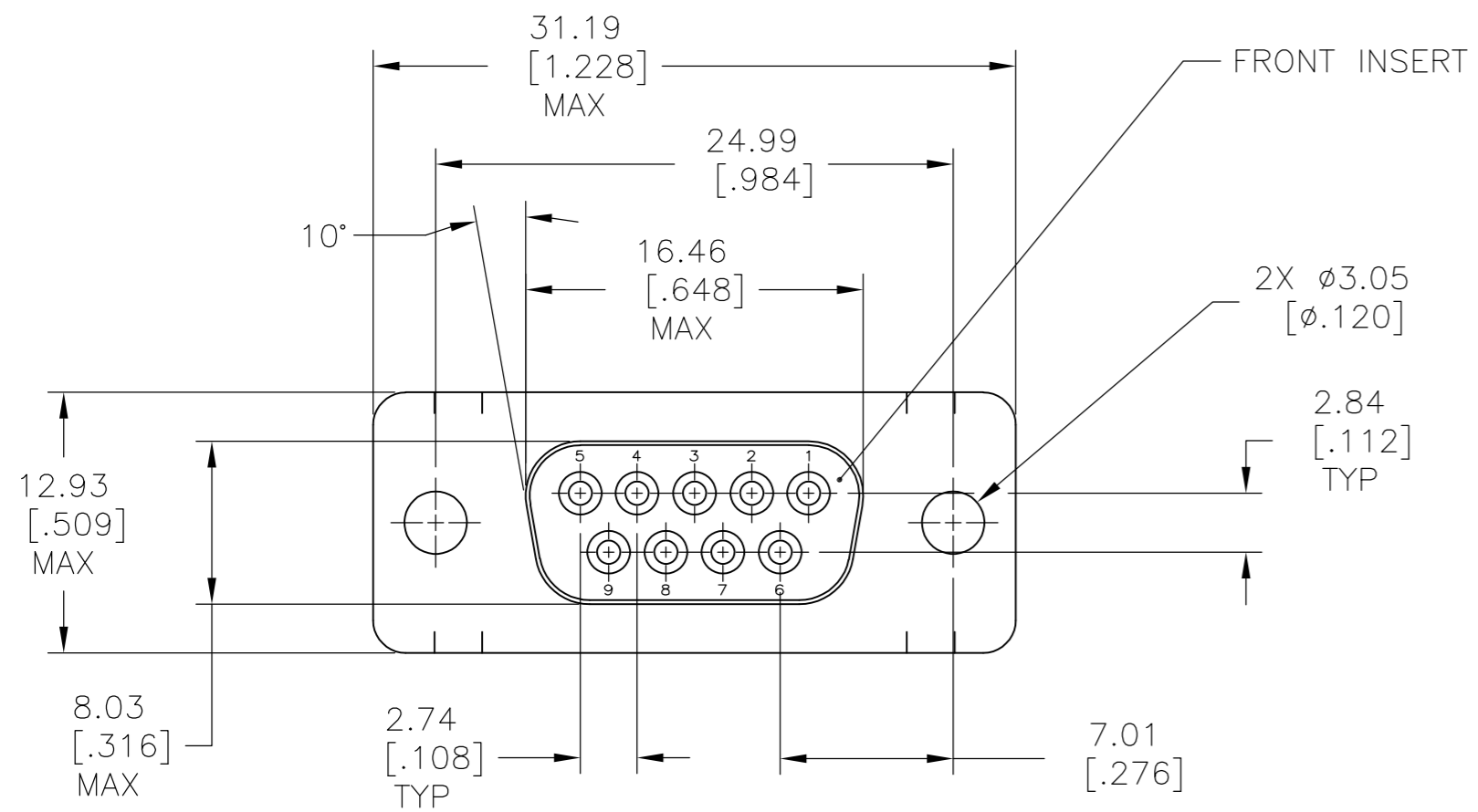
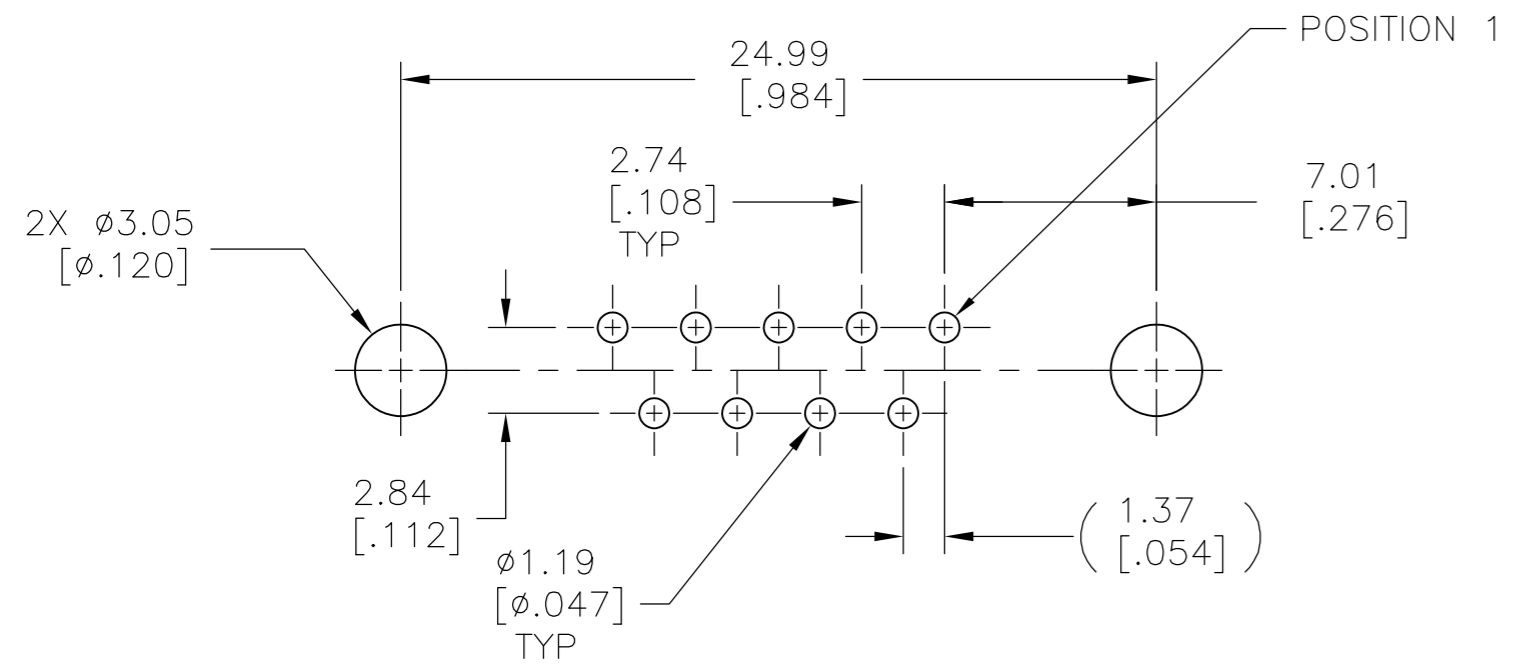
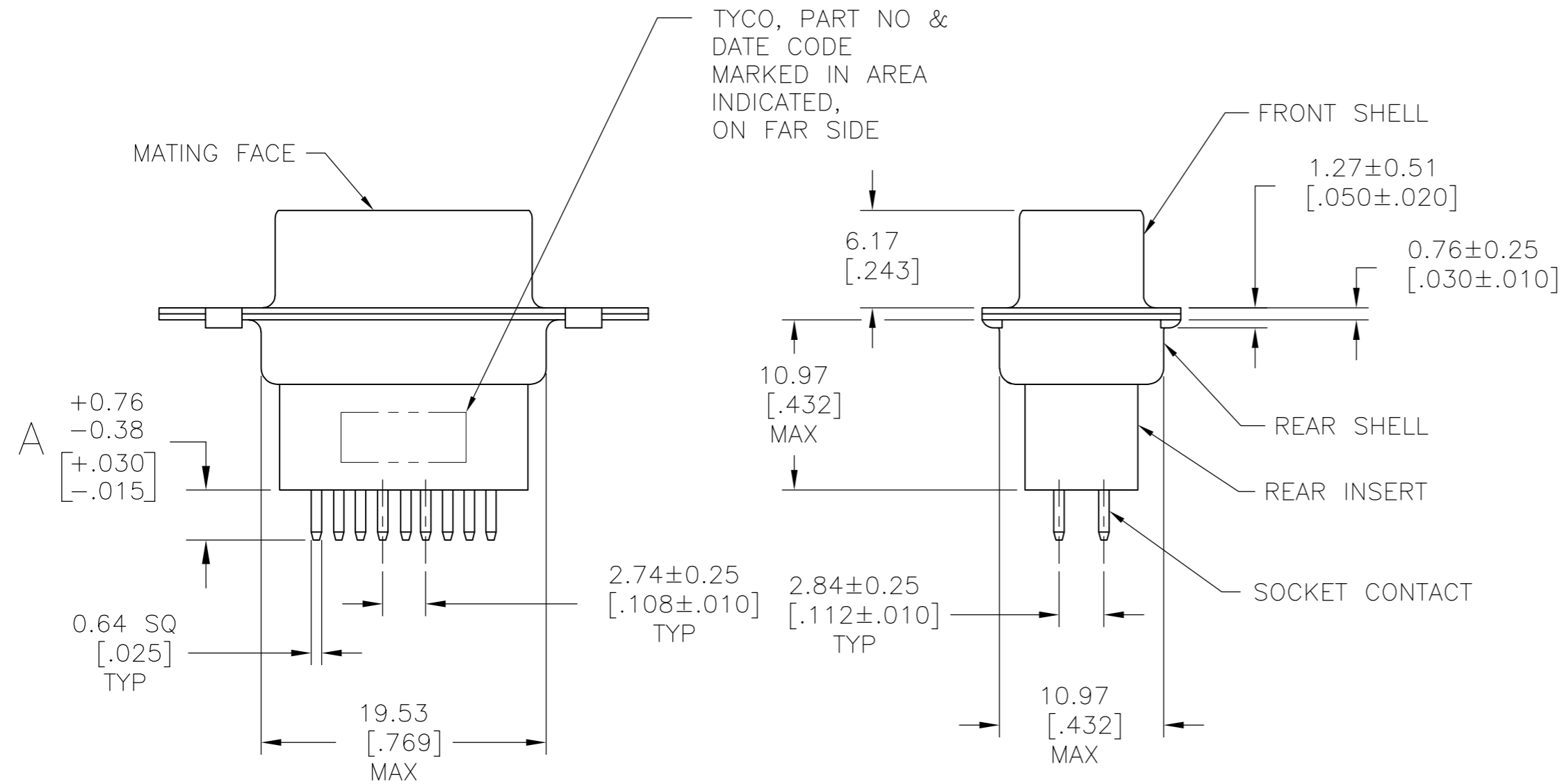


THIS DRAWING IS UNPUBLISHED. RELEASED FOR PUBLICATION
 © COPYRIGHT 2005 By - ALL RIGHTS RESERVED.

LOC		DIST		REVISIONS			
P	LTR	DESCRIPTION		DATE	DWN	APVD	
GP	00	D		REVISED PER ECO-14-011808	09AUG2014	AP	SB



- 1 MOLDED PARTS: GLASS-FILLED PBT OR GLASS-FILLED NYLON, UL94V-0 RATED.
 COLOR: BLACK
 SHELLS: CARBON STEEL.
 CONTACTS: PHOS BRONZE.
- 2 SHELLS: 5.08 μ m [.000200] MIN ZINC WITH YELLOW CHROMATE COATING.
 CONTACTS: GOLD FLASH PLATED FOR LENGTH OF 3.81 [.150] MIN FROM MATING END,
 2.54 μ m [.000100] MIN TIN ON SOLDER END, BOTH OVER
 1.27 μ m [.000050] MIN NICKEL.
- 3 SHELLS: 5.08 μ m [.000200] MIN ZINC WITH YELLOW CHROMATE COATING.
 CONTACTS: GOLD PLATED FOR LENGTH OF 3.81 [.150] MIN FROM MATING END,
 0.76 μ m [.000030] MIN GOLD IN MATED AREA,
 2.54 μ m [.000100] MIN TIN ON SOLDER END, BOTH OVER
 1.27 μ m [.000050] MIN NICKEL.
 OR
 GOLD FLASH OVER PALLADIUM-NICKEL PLATED FOR LENGTH OF
 3.81 [.150] MIN FROM MATING END,
 0.76 μ m [.000030] MIN TOTAL IN MATED AREA,
 2.54 μ m [.000100] MIN TIN ON SOLDER END, BOTH OVER
 1.27 μ m [.000050] MIN NICKEL.



P.C. BOARD MOUNTING DIMENSIONS

3	4.78 [.188]	5205734-7
3	16.54 [.651]	5205734-5
2	10.85 [.427]	5205734-4
3	3.18 [.125]	5205734-1
GOLD FINISH		A
		PART NO

THIS DRAWING IS A CONTROLLED DOCUMENT.		DWN B. LATTUCA 02SEPT05		
DIMENSIONS: mm [INCHES]		CHK S. BOLASH 02SEPT05		
TOLERANCES UNLESS OTHERWISE SPECIFIED:		APVD M. WALMSLEY 02SEPT05	NAME	
0 PLC \pm -		PRODUCT SPEC	108-40025	
1 PLC \pm -		APPLICATION SPEC	114-40013	
2 PLC \pm -		WEIGHT	-	
3 PLC \pm .005		SCALE	A2	
4 PLC \pm -		SIZE	00779	
ANGLES \pm -		CAGE CODE	C=5205734	
FINISH		DRAWING NO	-	
1		RESTRICTED TO	-	
2 3		SCALE	NTS	
CUSTOMER DRAWING		SHEET	1 of 1	
		REV	D	

单击下面可查看定价，库存，交付和生命周期等信息

[>>TE Connectivity\(泰科\)](#)