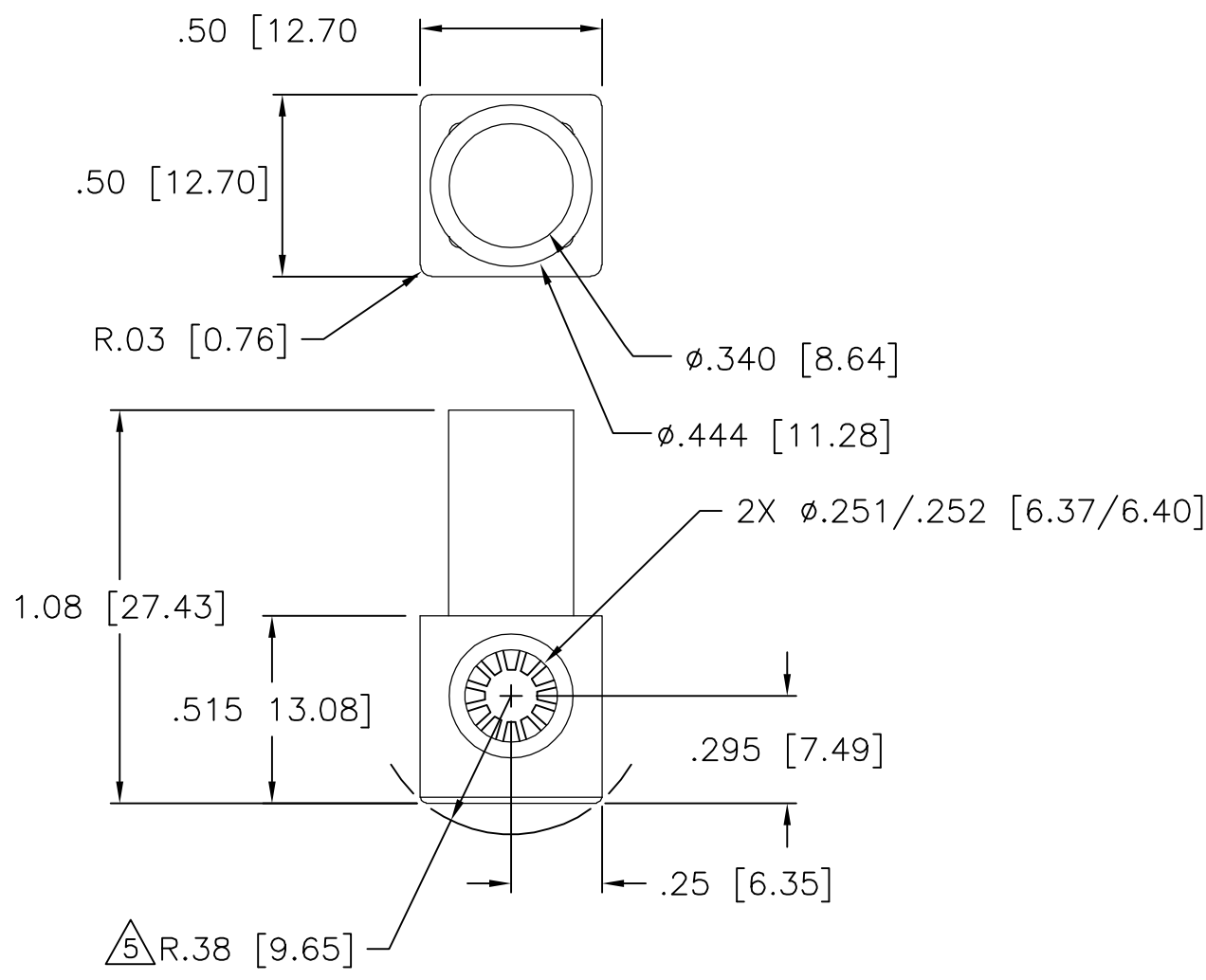


THIS DRAWING IS UNPUBLISHED. RELEASED FOR PUBLICATION
 © COPYRIGHT BY TYCO ELECTRONICS CORPORATION. ALL RIGHTS RESERVED.

LOC	DIST	REVISIONS					
GP	00	P	LTR	DESCRIPTION	DATE	DWN	APVD
			A	RELEASED	02MAR06	RG	MP



- 6. FOR TERMINATION REFER TO 1926079-1
- 5 ROTATION ARC.
- 4. FINISH:
 SOCKET HOUSING - SILVER PLATED .000200 MIN THK.
 OVER ELECTROLESS NICKEL PLATE .000040 MIN THK.
 CROWN - GOLD PLATED .000030 MIN THK OVER
 ELECTROLESS NICKEL PLATE .000040 MIN. THK
- 3. MATERIAL:
 CROWN CONTACT - BERYLLIUM COPPER
 SOCKET HOUSING - TELLURIUM COPPER ALLOY
 INSULATOR - THERMOPLASTIC, 94V-0, COLOR PER TABLE
- 2. ITEMS PROVIDED TO THIS SPECIFICATION SHALL BE IDENTIFIED ON THE CONTAINER WITH THE FOLLOWING INFORMATION:
 PART NUMBER AND DATE CODE OF MANUFACTURE.
- 1. PART NUMBER CHANGES AND/OR DESIGN CHANGES AFFECTING ITEM INTERCHANGEABILITY REQUIRE PRIOR TYCO APPROVAL AND AUTHORIZATION BY REVISION TO THIS DRAWING.

RED	6648236-2
BLACK	6648236-1
COLOR	PART NUMBER

THIS DRAWING IS A CONTROLLED DOCUMENT.		DWN R.GRZYBOWSKI 02MAR2006	Tyco Electronics Corporation Harrisburg, PA 17105-3608	
DIMENSIONS: INCHES	TOLERANCES UNLESS OTHERWISE SPECIFIED:	CHK M.PERCHERKE 02MAR06	NAME CROWN SOCKET JUMPER, SIZE #4 W/ #4 CRIMP BARREL,	
	0 PLC ± - 1 PLC ± - 2 PLC ± .02 3 PLC ± .010 4 PLC ± - ANGLES ± .5	APVD M.PERCHERKE 02MAR06	PRODUCT SPEC -	
MATERIAL -	FINISH -	APPLICATION SPEC -	SIZE A3	RESTRICTED TO -
RAPID LOCK ELCON		WEIGHT -	CAGE CODE 00779	DRAWING NO 6648236
		CUSTOMER DRAWING		SCALE 1:1 SHEET 1 OF 1 REV A

单击下面可查看定价，库存，交付和生命周期等信息

[>>TE Connectivity\(泰科\)](#)