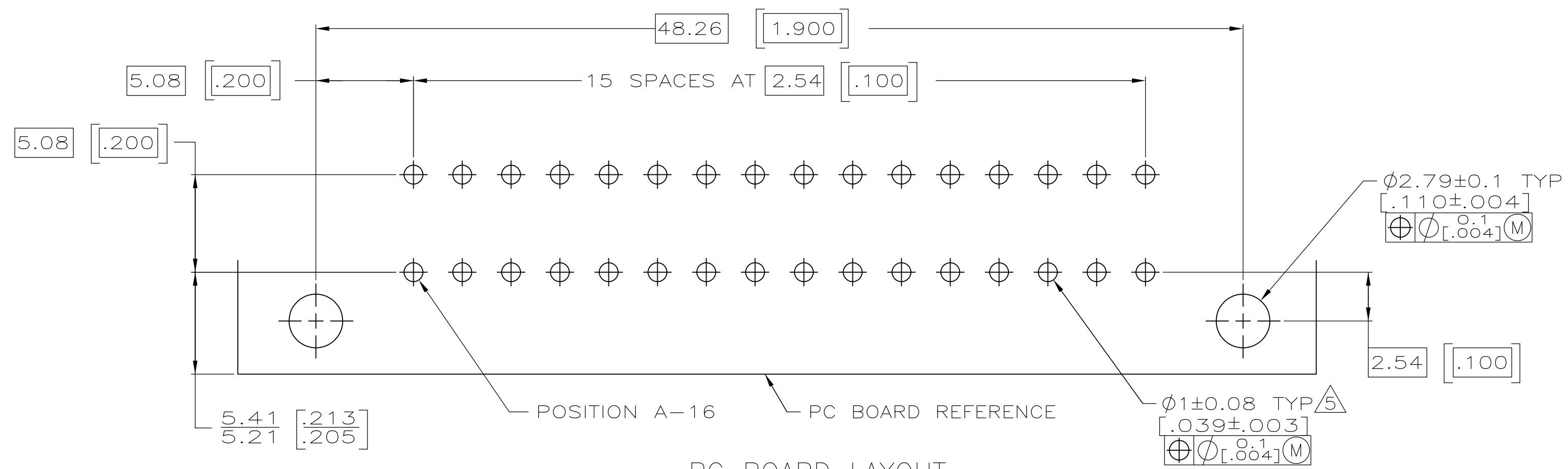
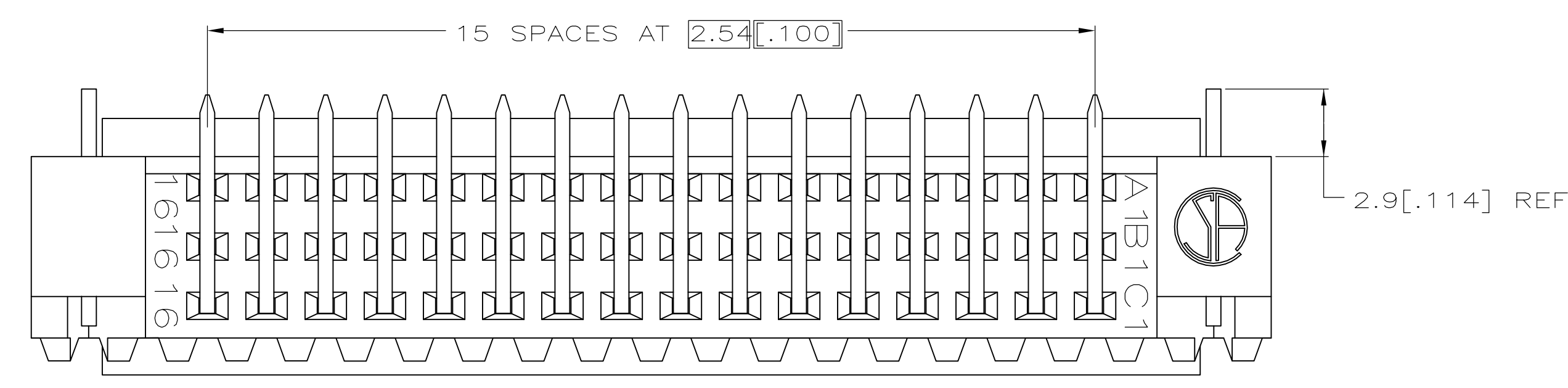
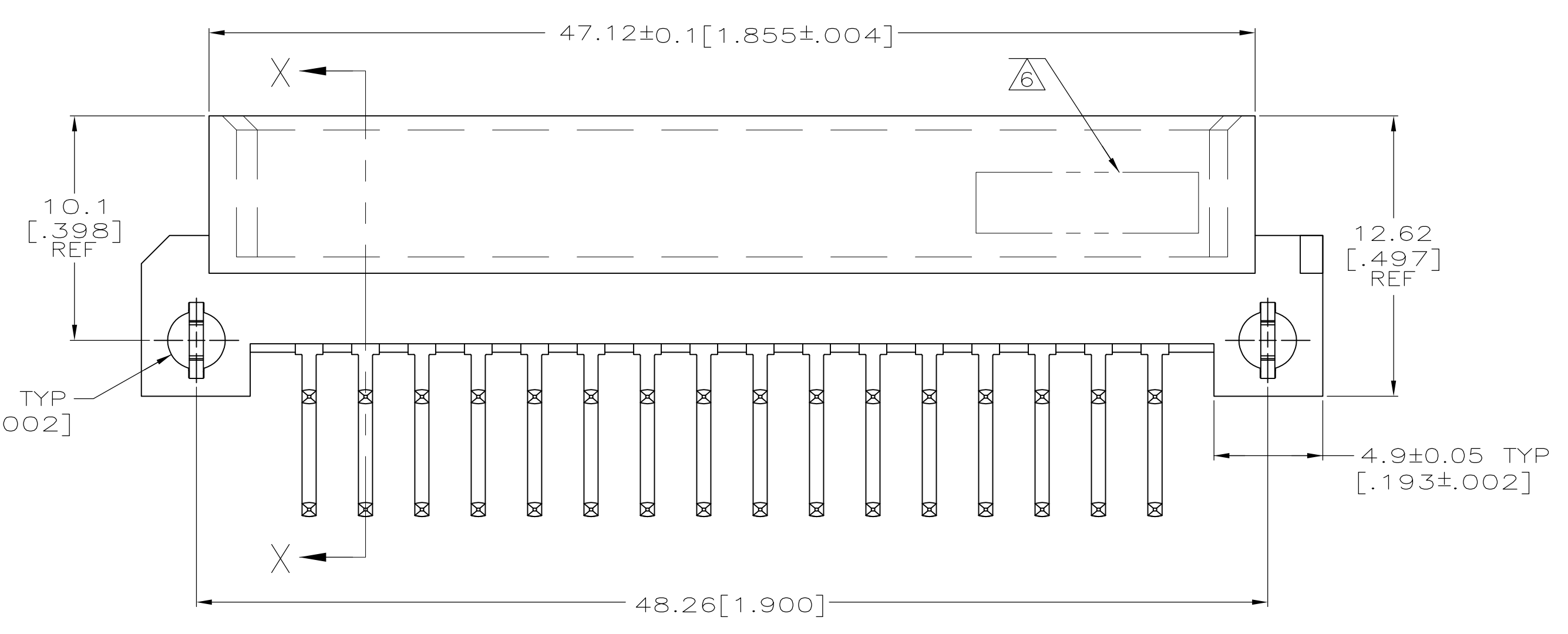
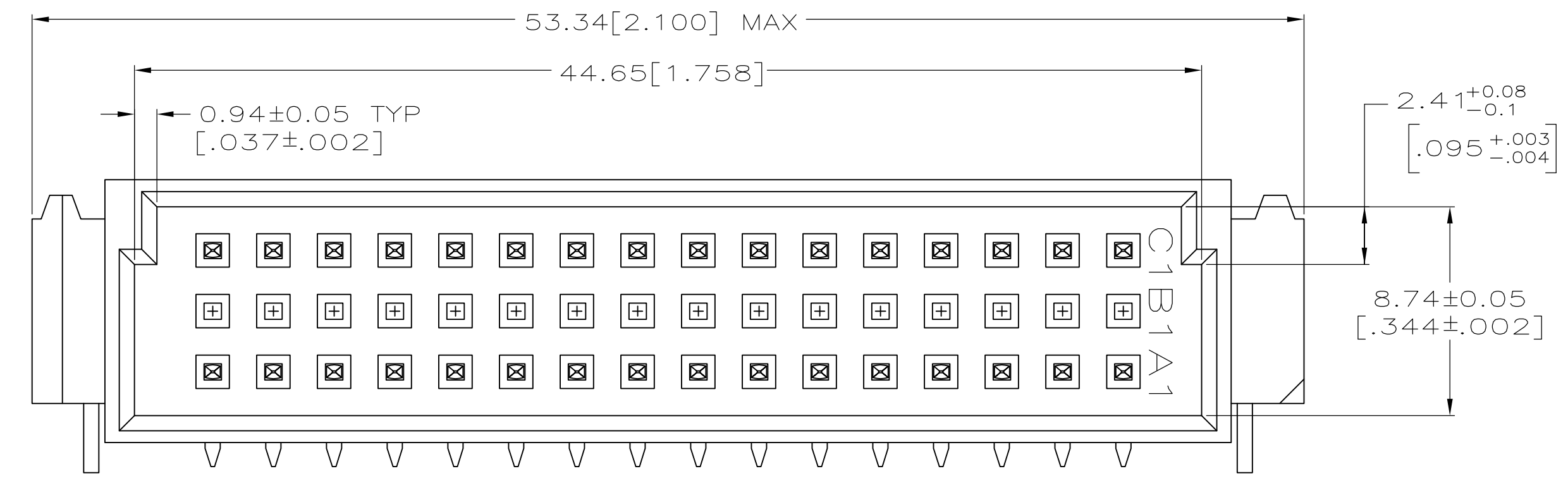
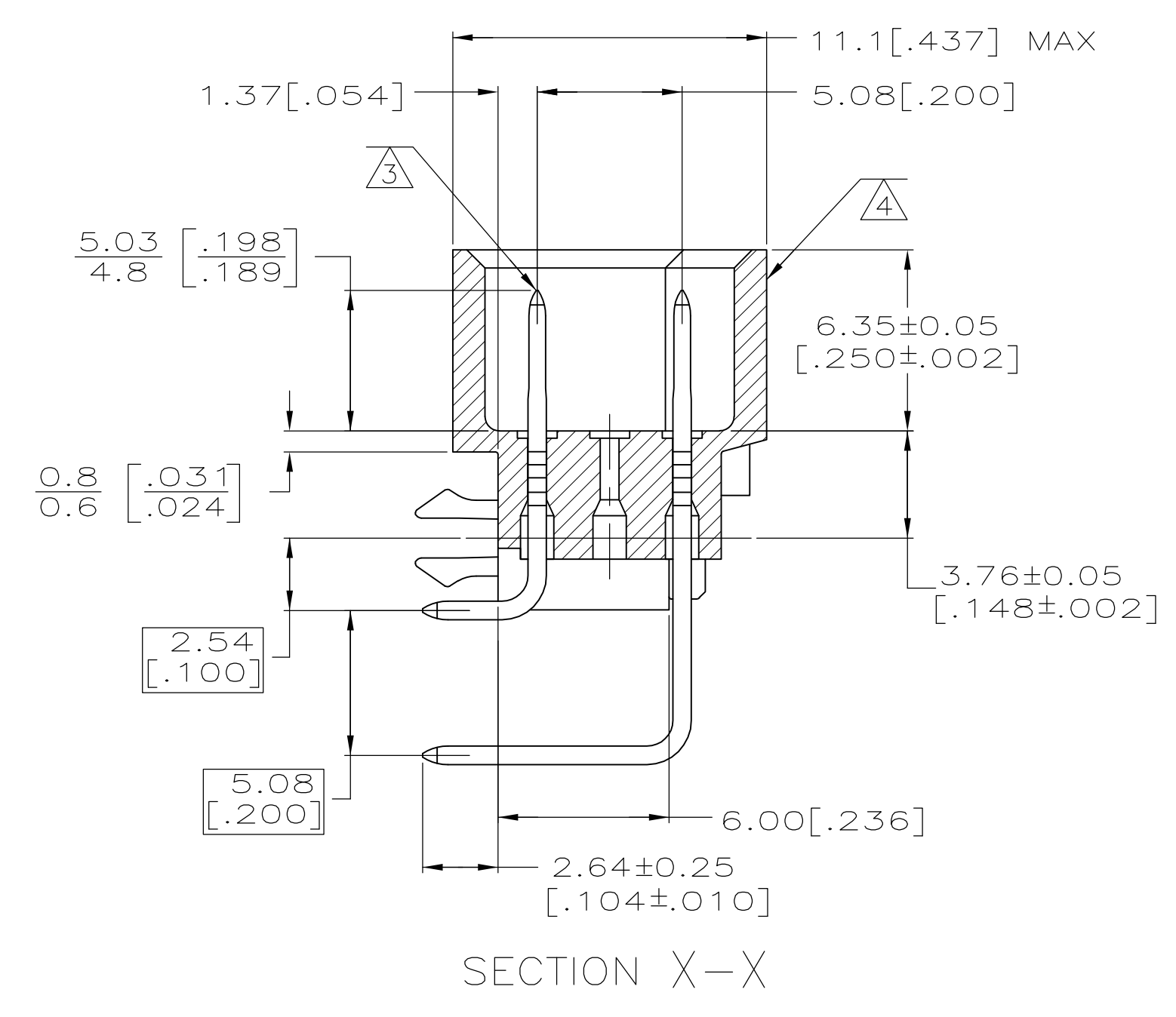


LOC		DIST		REVISIONS			
P	LTR	DATE	DNW	APVD			
A	REVISED PER ECO-15-006790	06MAY2015	AP	RP			

- 1 HOUSING MATERIAL: GLASS-FILLED POLYMER.
- 2 POST MATERIAL: COPPER ALLOY.
- 3 POST FINISH: DIN 41612 CLASS 2 IN CONTACT AREA. TIN PLATE ON POSTS.
- 4 MARKING ON THIS SIDE.
- 5 RECOMMENDED HOLE SIZE FOR MANUAL APPLICATION OF CONNECTOR ONTO PC BOARD.
- 6 PART NUMBER, DATE CODE MARKED THIS APPROXIMATE AREA.



PC BOARD LAYOUT  
RECOMMENDED PC BOARD THICKNESS 1.57[.062]



REFERENCE FAMILY DRAWING 650473 FOR ALL TYPE C HEADER OFFERINGS

1-16	X	-	X	32	5650978-5
POSITIONS LOADED	C	B	A	NO. OF LOADED POSITIONS	ASSY PART NUMBER
	ROWS LOADED				

THIS DRAWING IS A CONTROLLED DOCUMENT.		DIN J. POLIGNONE OSMAYOS		STE TE Connectivity	
DIMENSIONS: mm [INCHES]		TOLERANCES UNLESS OTHERWISE SPECIFIED:		NAME ASSEMBLY, PIN, EUROCARD, TYPE 1/C, A and C, 32/48 POSITION, 2.64[.104] SOLDER POST WITH BOARD LOCKS, SELECT LOAD	
0 PLC ± -	1 PLC ± -	2 PLC ± 0.13[.005]	3 PLC ± -	4 PLC ± -	ANGLES ± -
MATERIAL 1 2		FINISH 3		SIZE A1	CAGE CODE 00779
CUSTOMER DRAWING		DRAWING NO. 5650978		RESTRICTED TO	
SCALE 5:1		SHEET 1 of 1		REV A	

单击下面可查看定价，库存，交付和生命周期等信息

[>>TE Connectivity\(泰科\)](#)