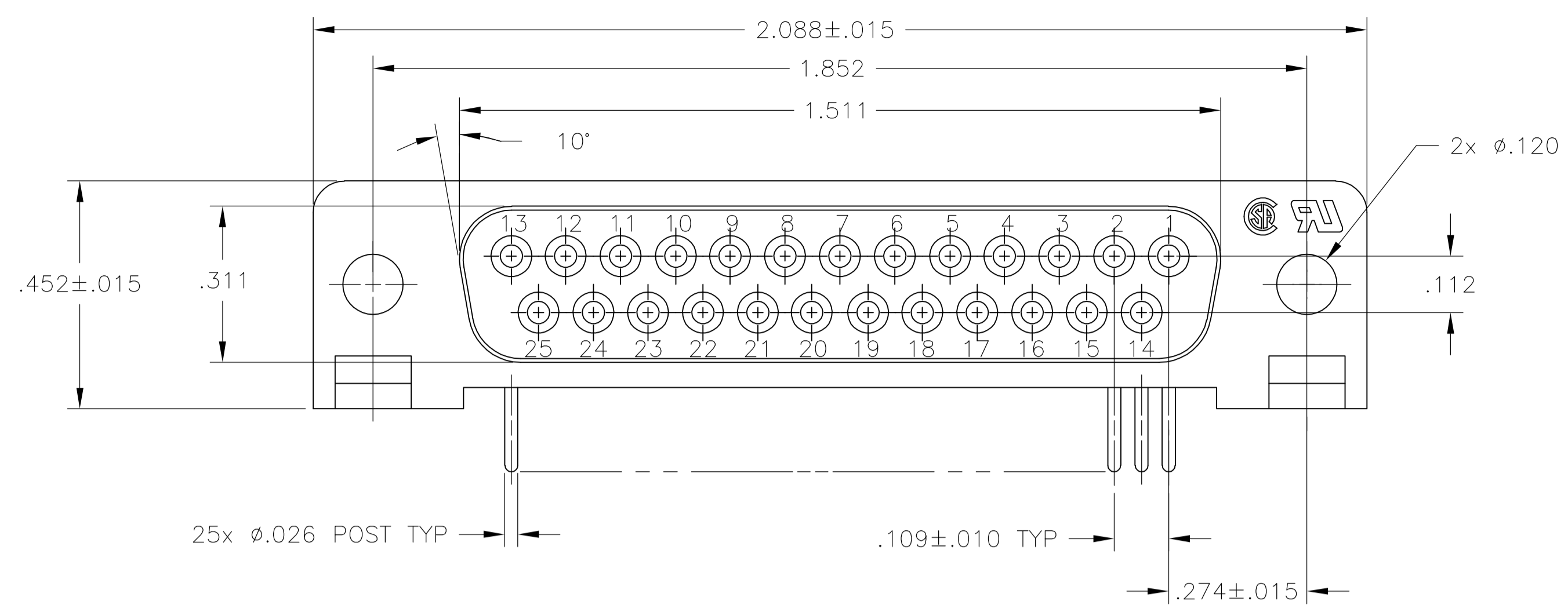
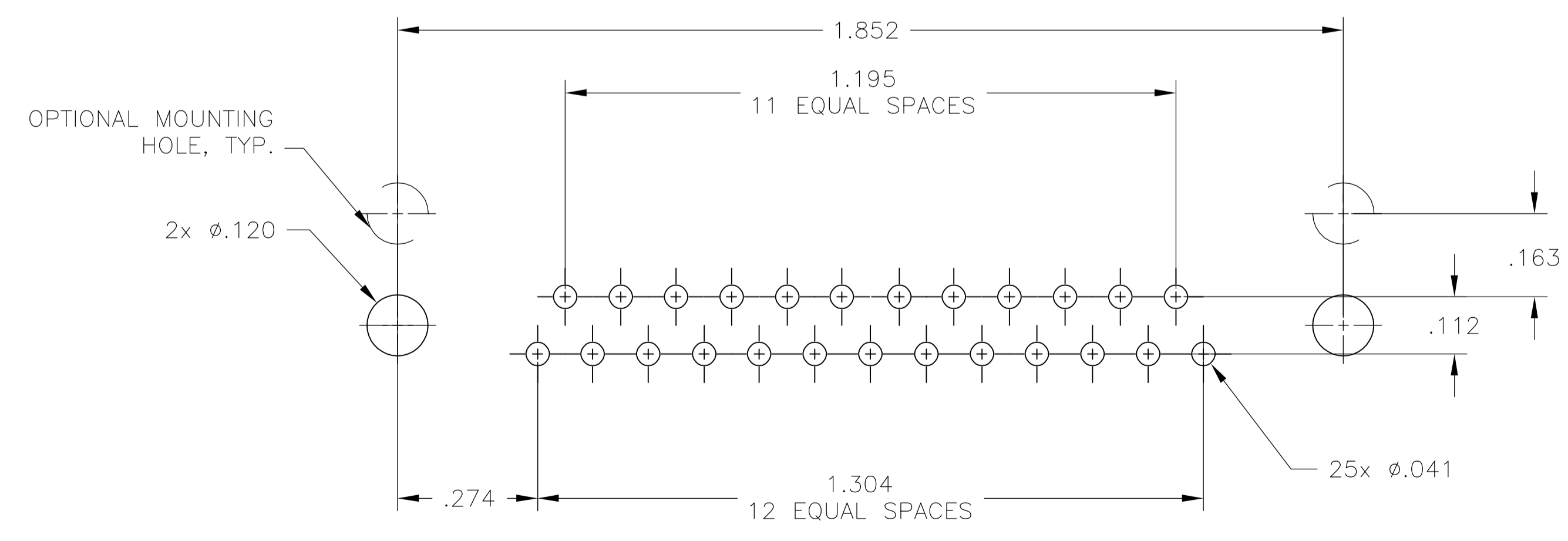
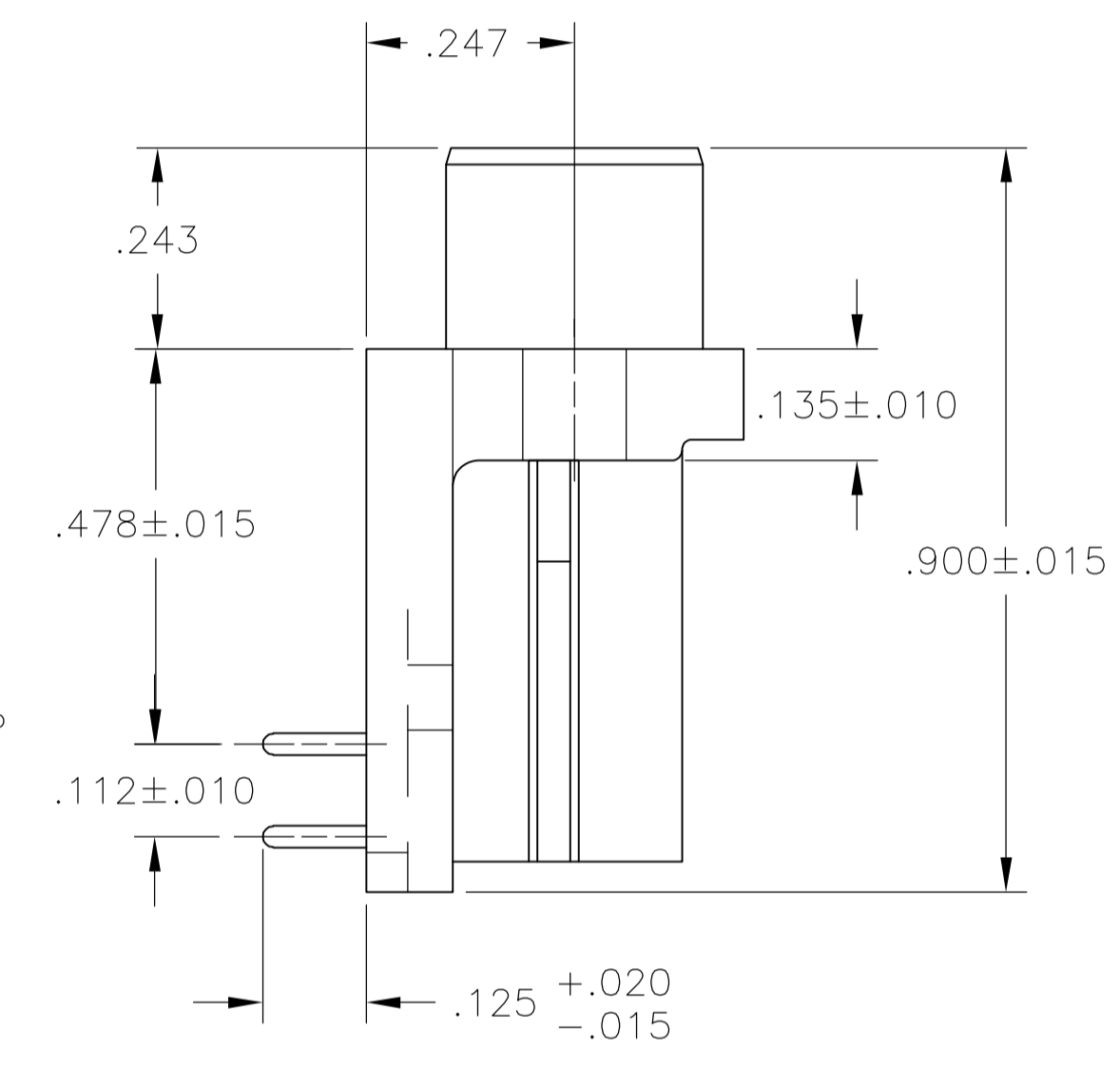
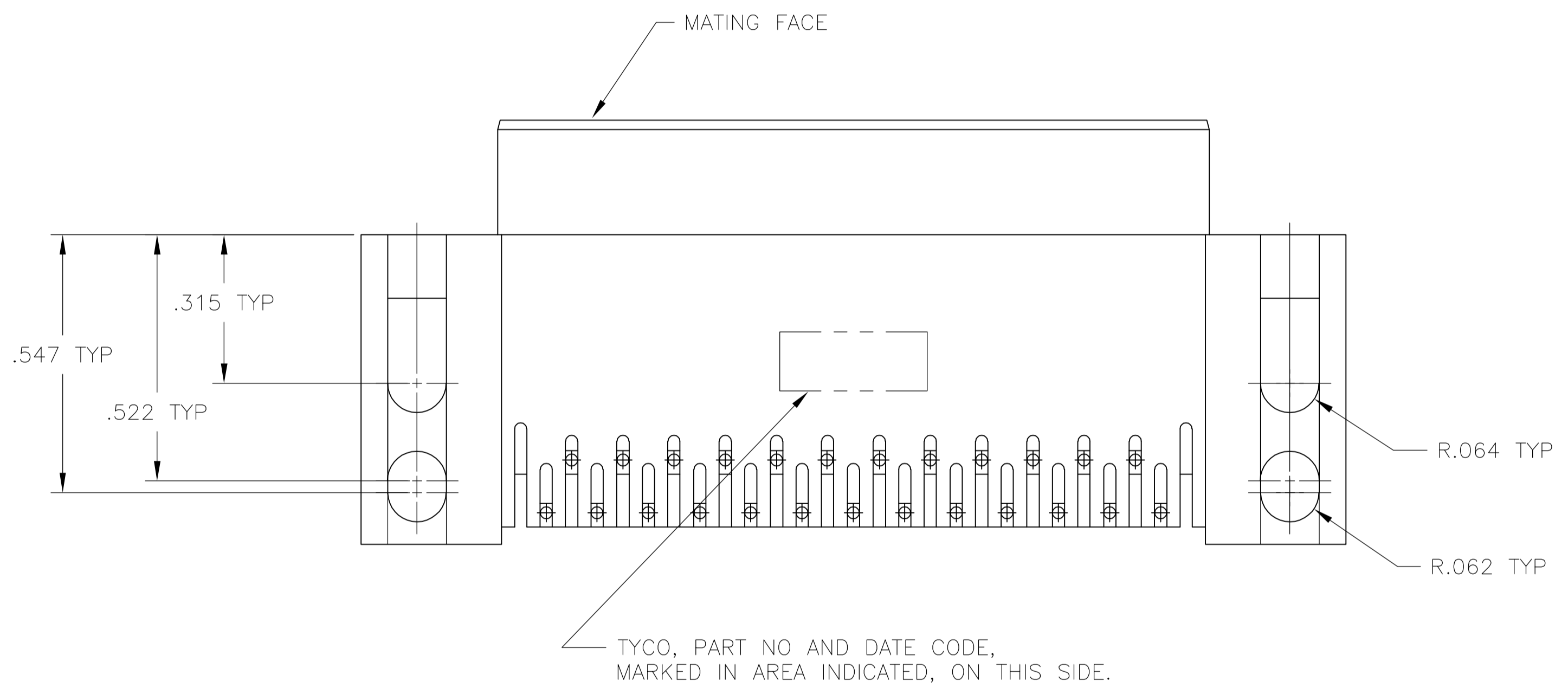


LOC		DIST		REVISIONS			
GP	00	REV	DATE	BY	APP'D	DATE	BY
0		RELEASED PER EC	0513-0087-05			14SEP05	GP JG



- 1 HOUSING: FLAME RETARDANT, 94V-0 RATED, GLASS FILLED NYLON OR POLYESTER, COLOR: BLACK
CONTACTS: PHOS. BRONZE
- 2 REFER TO APPLICATION SPEC FOR RECOMMENDED P.C. BOARD MOUNTING DIMENSIONS FOR AUTOMATIC INSERTION.
- 3 CONTACTS: PLATED WITH .000030 MIN GOLD FOR LENGTH OF .055 MIN FROM MATING END, .000100 MIN TIN ON SOLDER END, ALL OVER .000050 MIN NICKEL ON ENTIRE CONTACT.



5745085-2
PART NUMBER

RECOMMENDED P.C. BOARD MOUNTING DIMENSIONS

**COPYRIGHT 2005
TYCO ELECTRONICS CORP
ALL RIGHTS RESERVED**

THIS DRAWING IS A CONTROLLED DOCUMENT.		DWG: G.PETERS 14SEP05		Tyco Electronics Corporation Harrisburg, PA 17105-3608	
DIMENSIONS: INCHES		CHK: S.BOLASH 14SEP05		NAME: M.WALMSLEY 14SEP05	
TOLERANCES UNLESS OTHERWISE SPECIFIED:		PRODUCT SPEC: 108-40025		APPLICATION SPEC: 114-40015	
0 PLG ± -	1 PLG ± -	2 PLG ± -	3 PLG ± -.005	4 PLG ± -	ANGLES ± ± °
MATERIAL:	FINISH:	WEIGHT: -	SIZE: A1	CAGE CODE: 00779	DRAWING NO: 5745085
CUSTOMER DRAWING			SCALE: 4:1	SHEET: 1 OF 1	REV: 0

单击下面可查看定价，库存，交付和生命周期等信息

[>>TE Connectivity\(泰科\)](#)