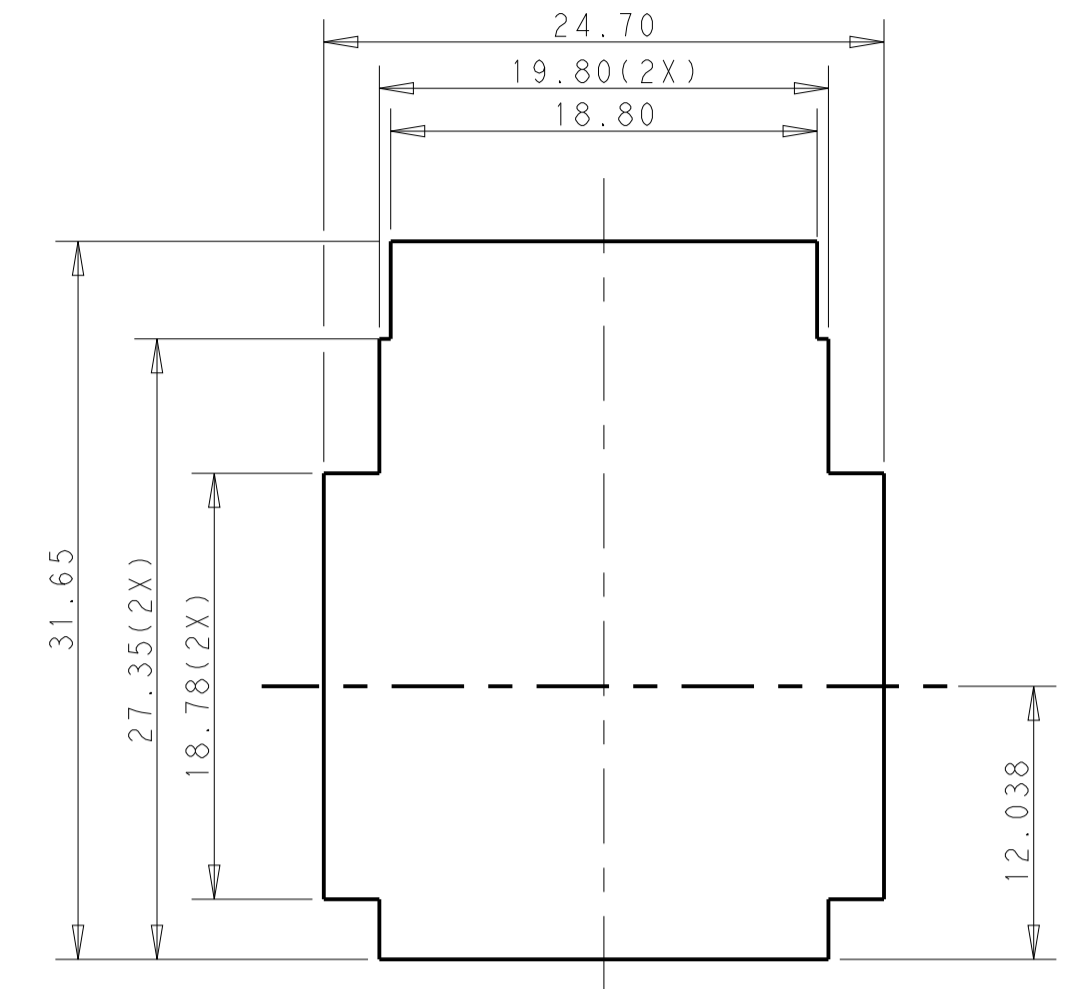
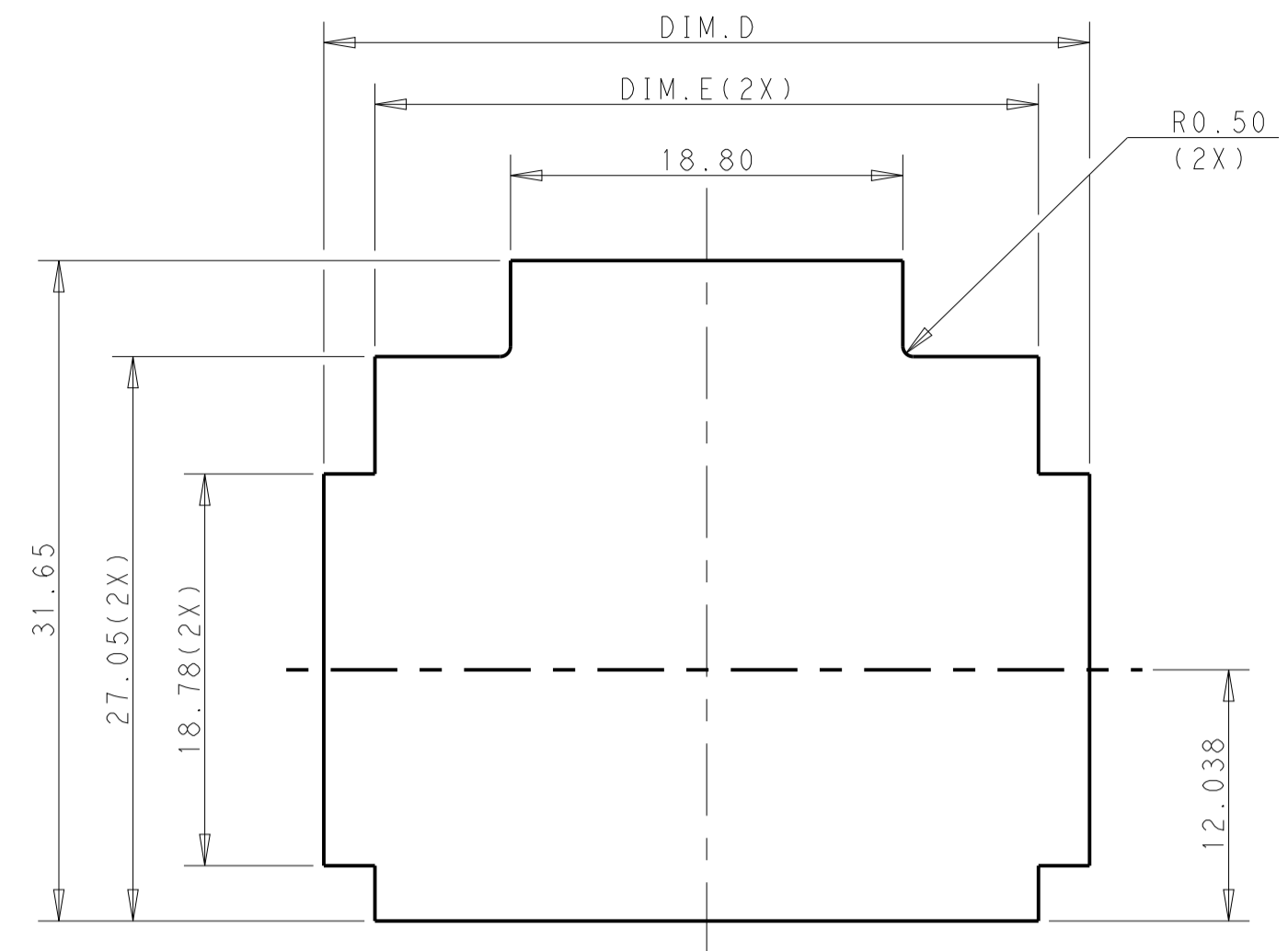
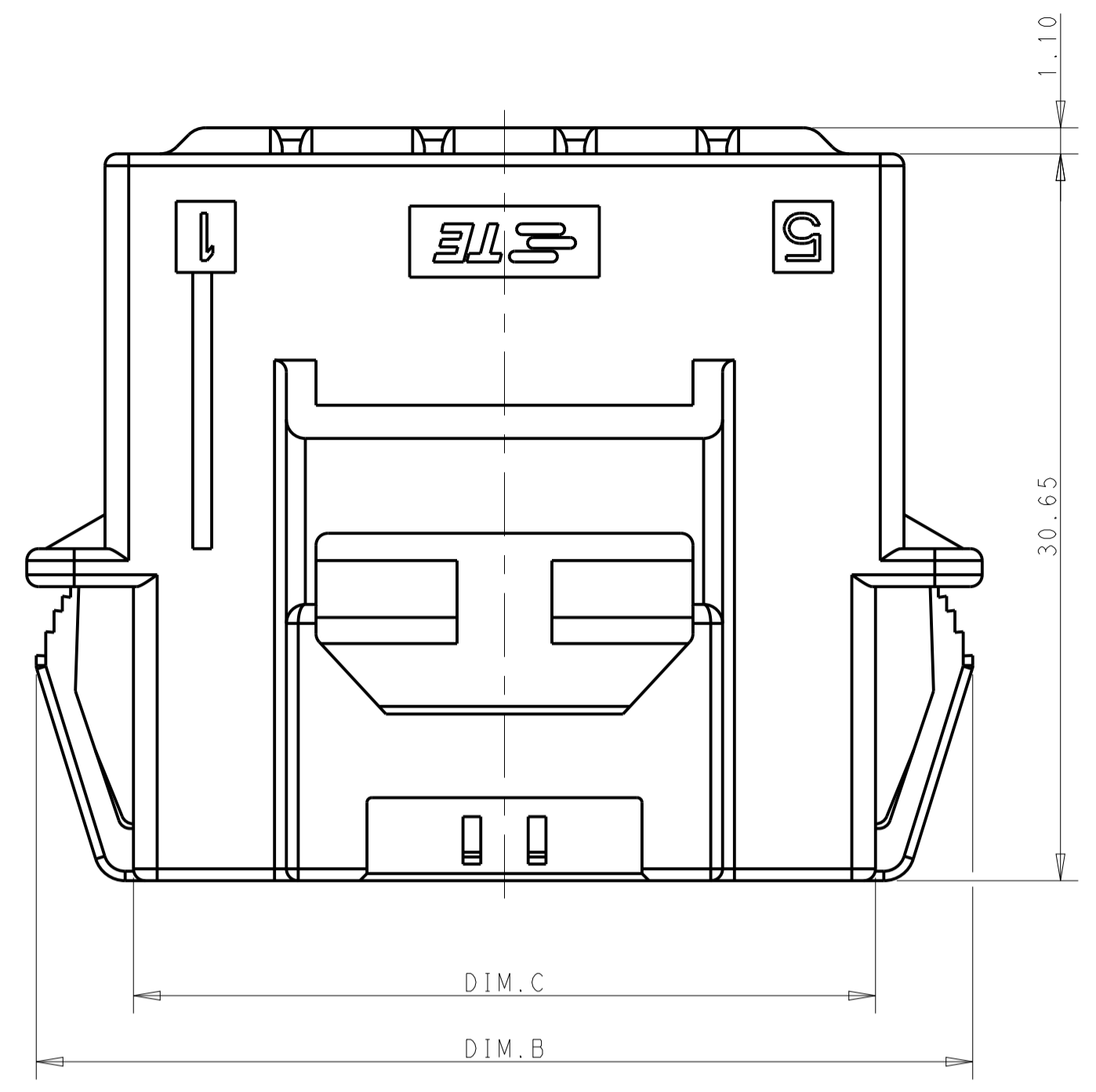
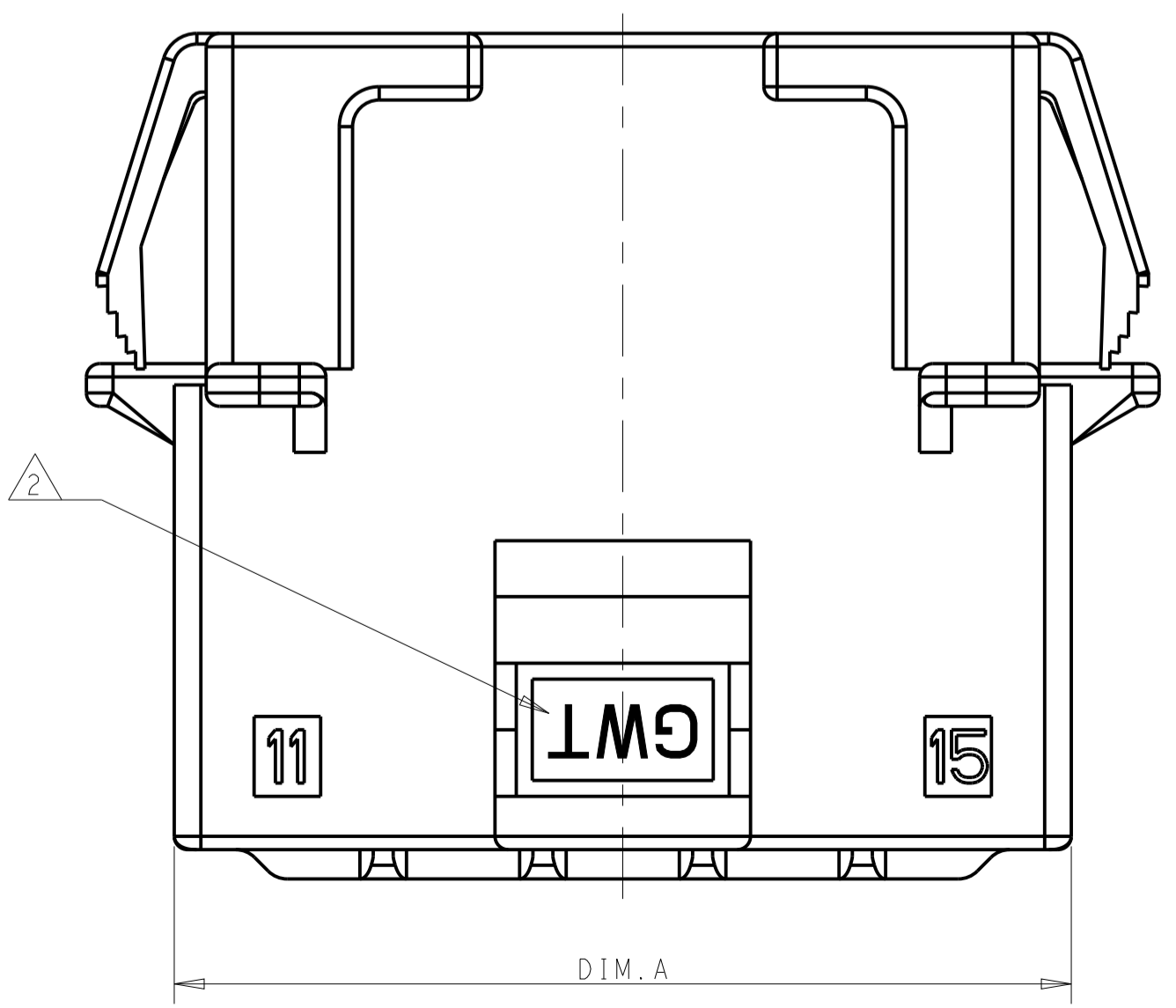
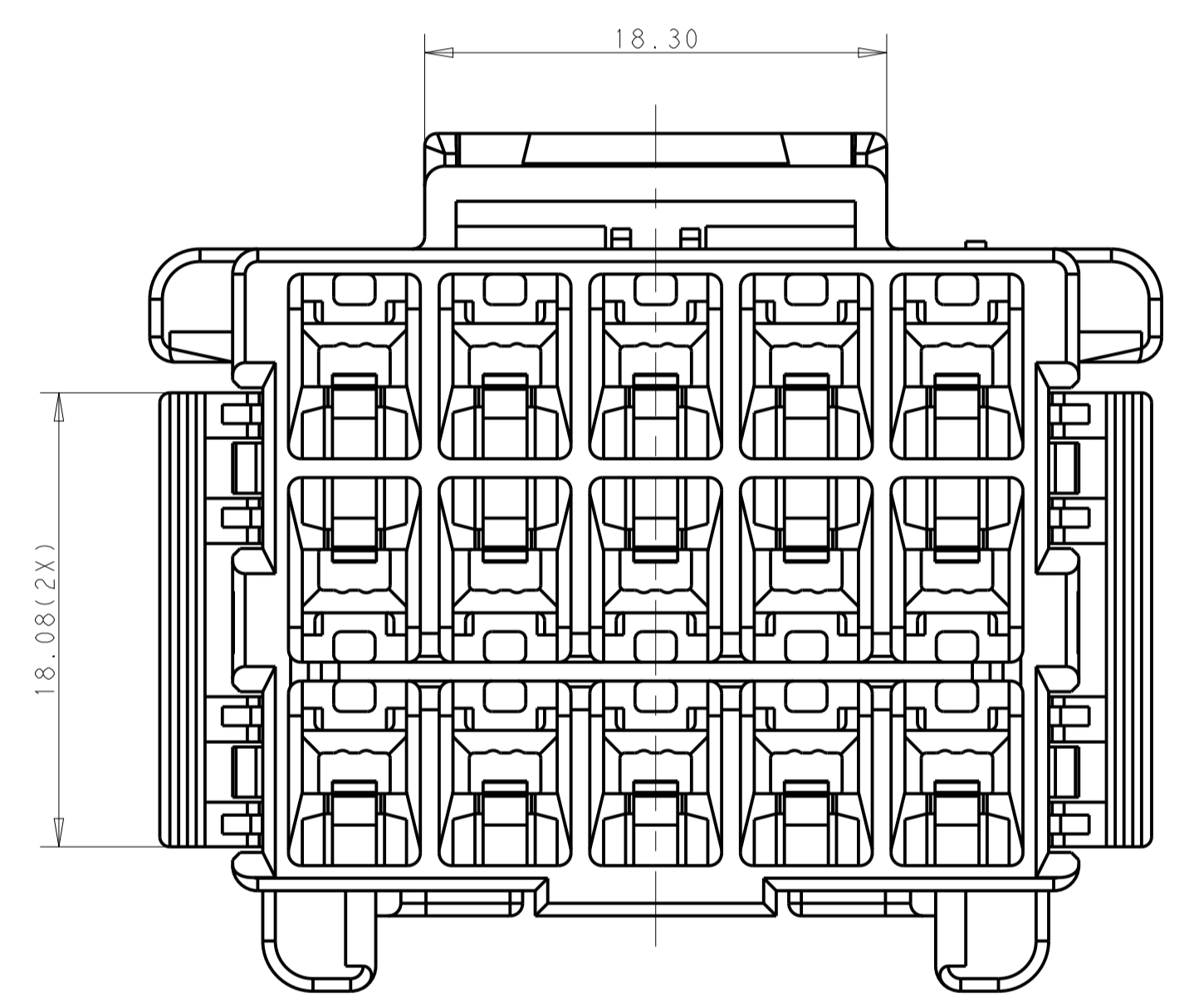
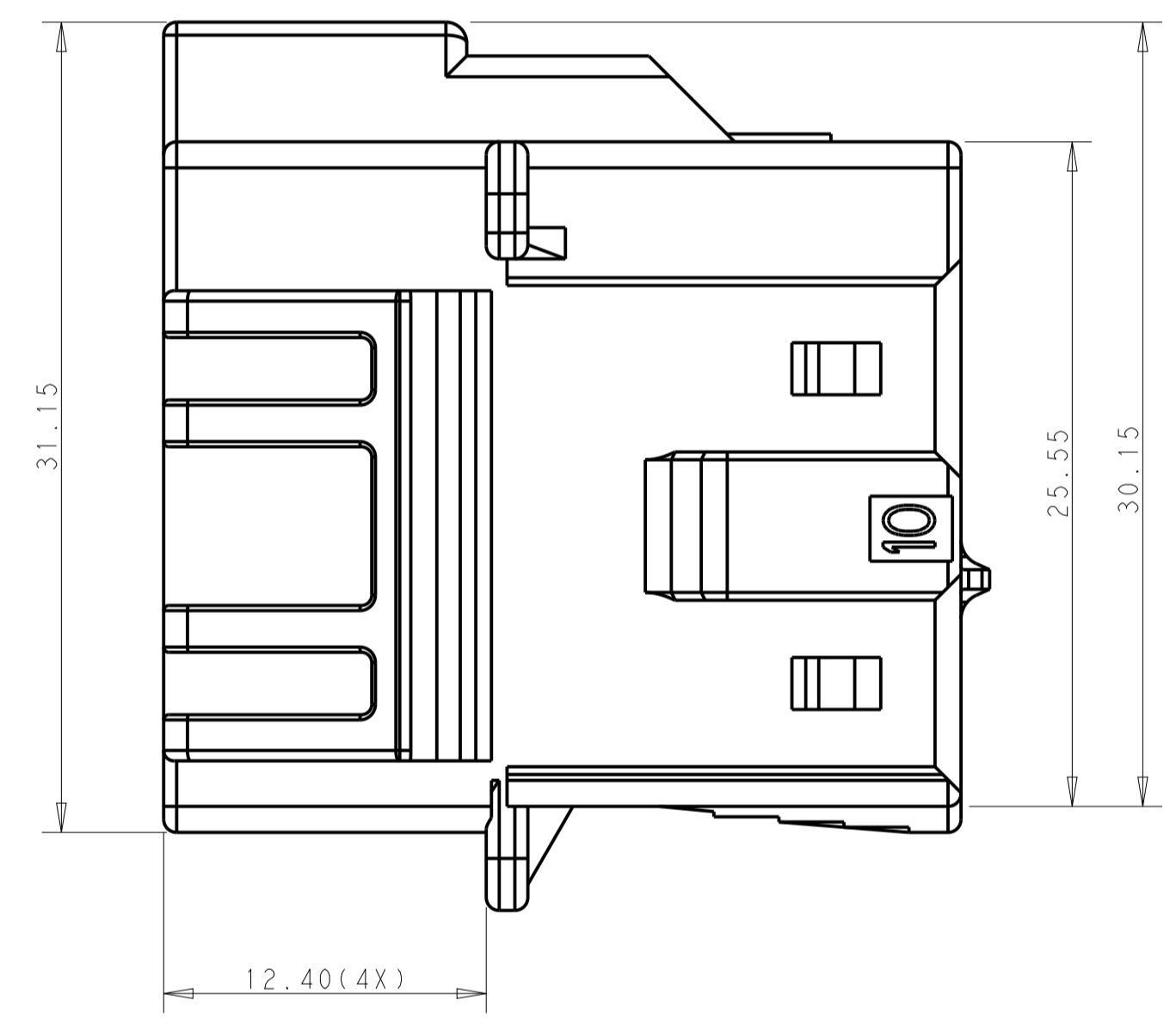
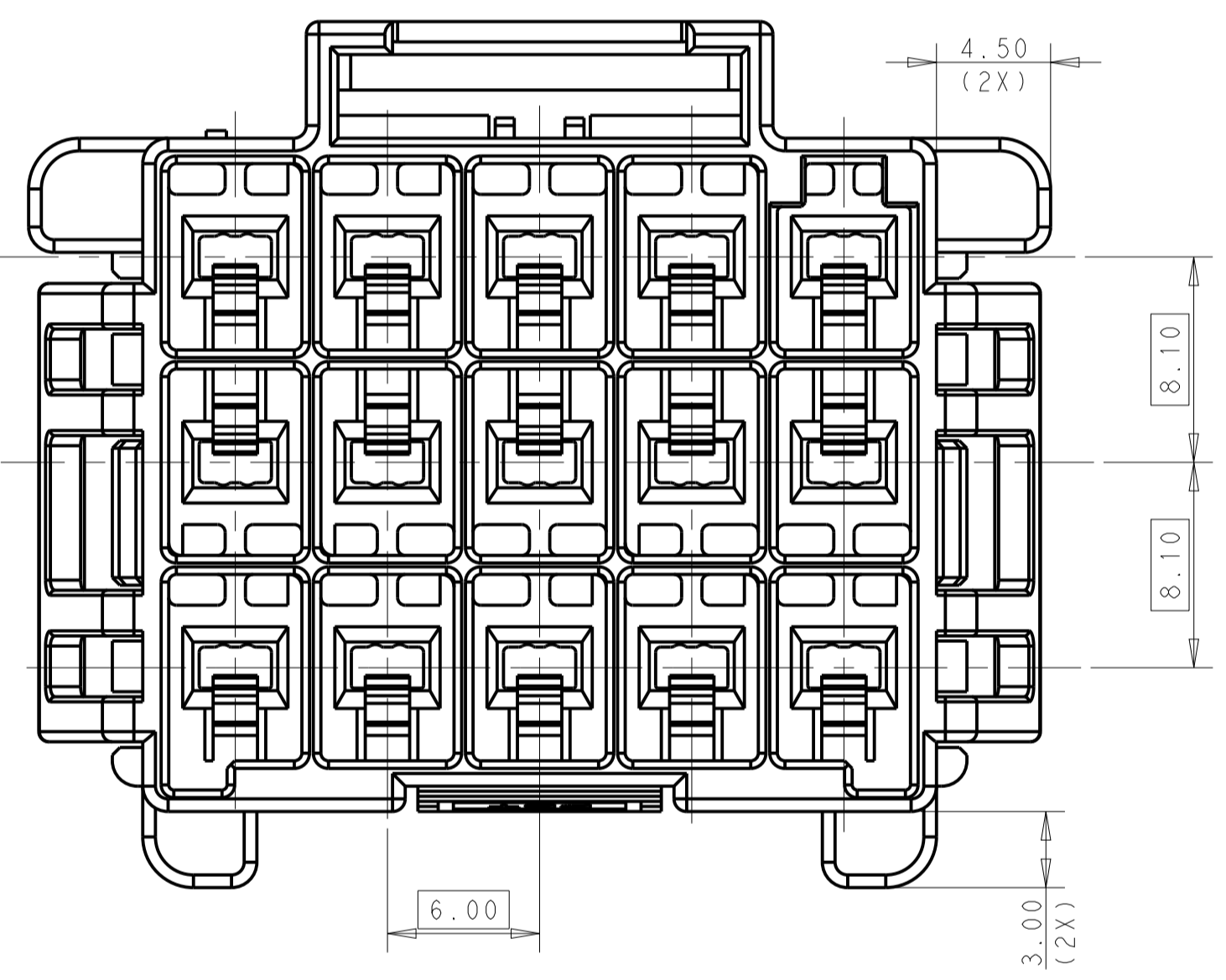


| LOC |  | DIST |  | REVISIONS |                         |           |       |
|-----|--|------|--|-----------|-------------------------|-----------|-------|
|     |  |      |  | REV       | DATE                    | BY        | CHK   |
|     |  |      |  | C         | REVIS PER ECR-21-100678 | 08APR2021 | SS VS |



RECOMMENDED PANEL OPENING DIMENSIONS FOR CAP HOUSING 3\*5 AND 3\*4 POSITIONS (TOLERANCE: ±0.15mm)

RECOMMENDED PANEL OPENING DIMENSIONS FOR CAP HOUSING 3\*3 POSITION (TOLERANCE: ±0.15mm)



- NOTE
- MATERIAL:  
 LEVEL A: PA6 GLASS FILLED, COMPLY WITH GLOW WIRE REQUIREMENTS FOR PARTS OF NON-METALLIC MATERIAL SUPPORTING A CURRENT-CARRYING CONNECTION DETAILED IN IEC 60335-1, SECTION 30 (GWT), UL 94V-0  
 LEVEL B: PBT GLASS FILLED, HOT WIRE IGNITION (HWI) VERSION ARE MOLDED IN A RESIN THAT COMPLIES WITH TE HOT WIRE IGNITION TEST 109-32026 AND ARE RECOMMENDED FOR USE WITH HWI HOUSINGS THAT ALSO COMPLY, UL 94V-0
  - MATERIAL MARK:  
 LEVEL A:GWT,LEVEL B:HWT
  - APPLICABLE CONTACT P/N  
 TAB CONTACT:1971238/1971780/82/84/86/88-\*
  - MATING CONN. P/N  
 PLUG HSG: \*-2232357-  
 TPA DOUBLE ROW: \*-1971778-; TPA SINGLE ROW: \*-1971777-\*
  - RECOMMENDED PANEL THICKNESS:1.0~2.0mm

| POS | A     | B    | C     | D     | E     |
|-----|-------|------|-------|-------|-------|
| 3*5 | 33.70 | 39.5 | 31.30 | 36.70 | 31.80 |
| 3*4 | 27.70 | 33.5 | 25.30 | 30.70 | 25.80 |
| 3*3 | 21.70 | 27.5 | 19.30 |       |       |

THIS DRAWING IS A CONTROLLED DOCUMENT. DWG: TOMMY WU 26MAR2013  
 CHK: HAPYE WU 26MAR2013  
 APVD: YUZHONG MAO 26MAR2013

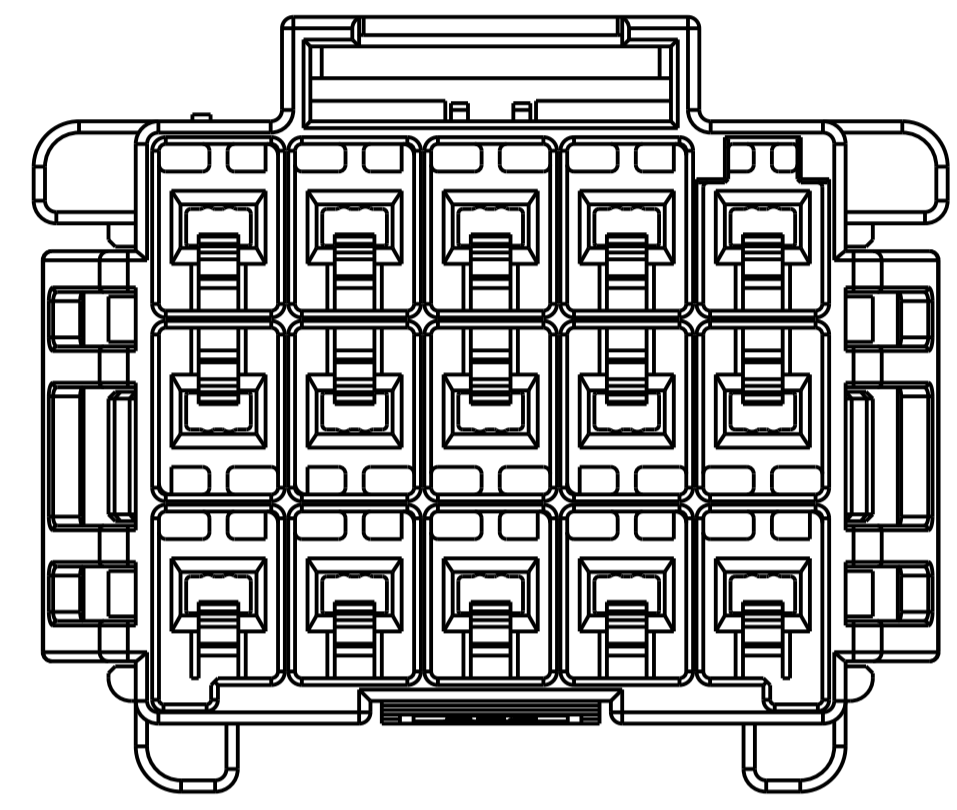
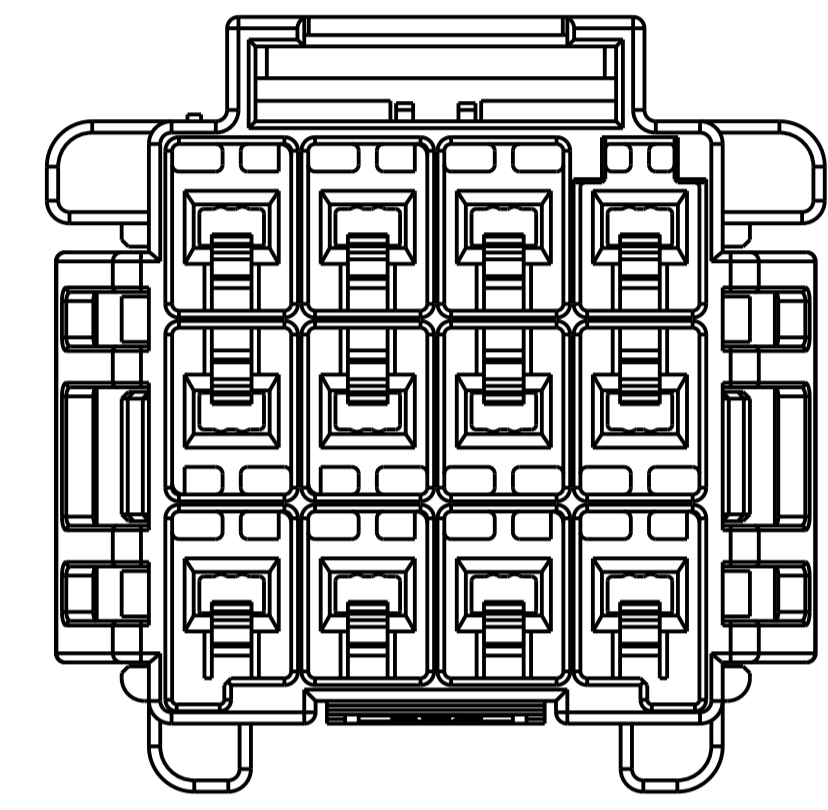
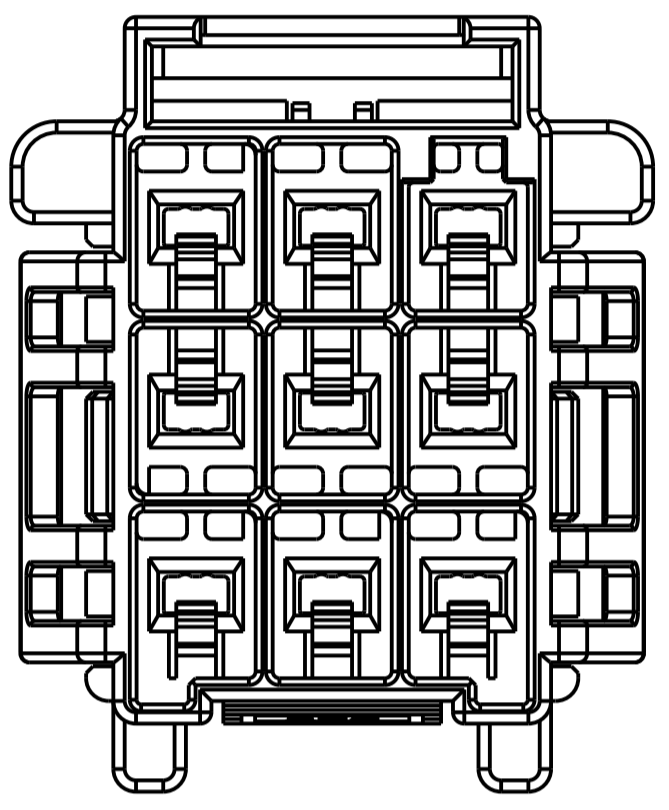
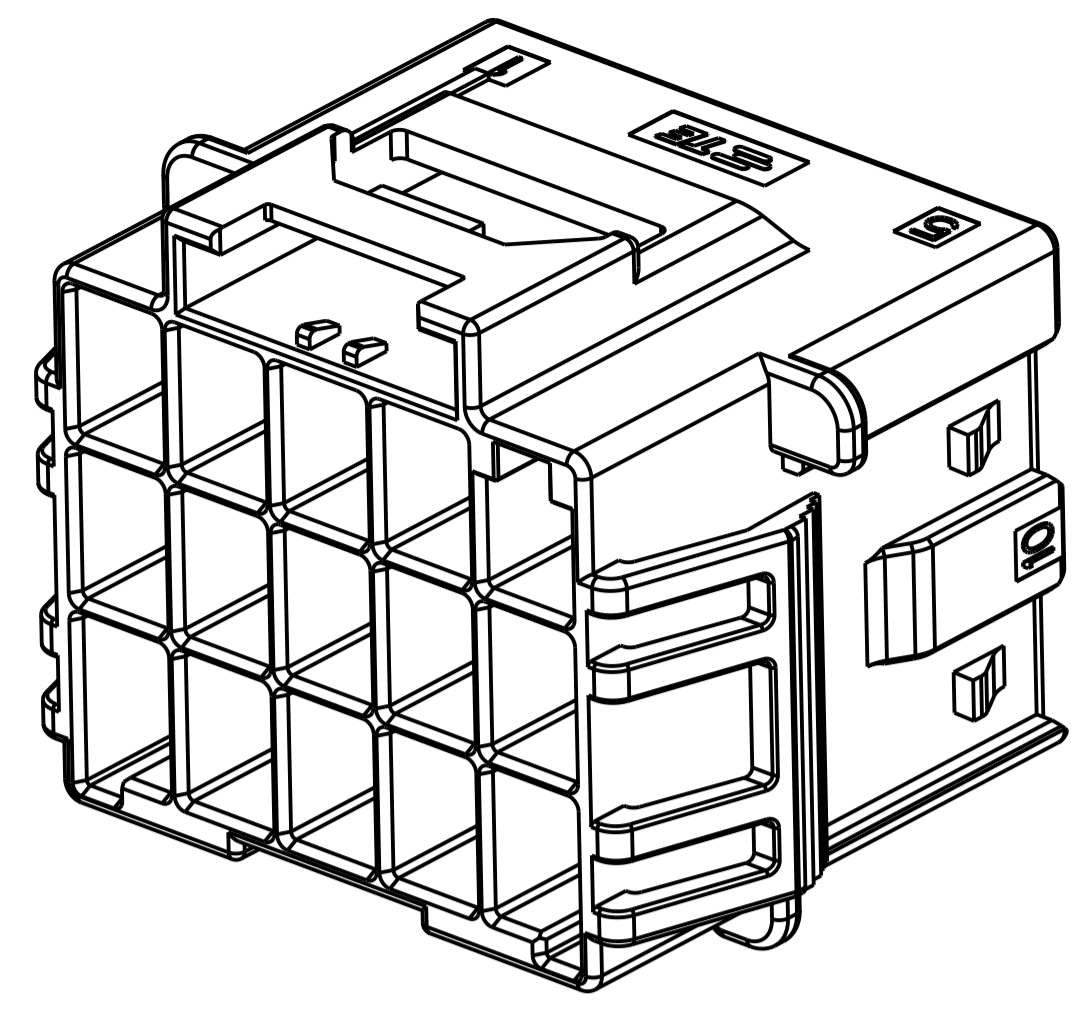
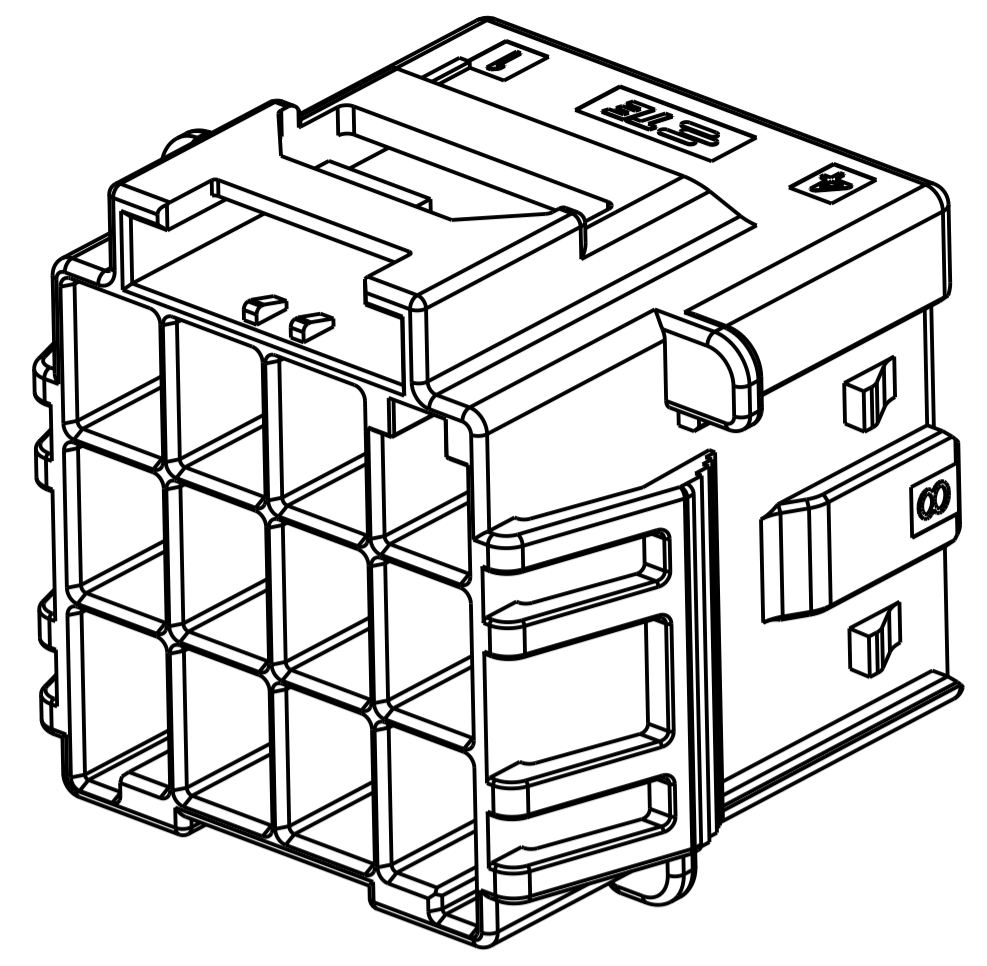
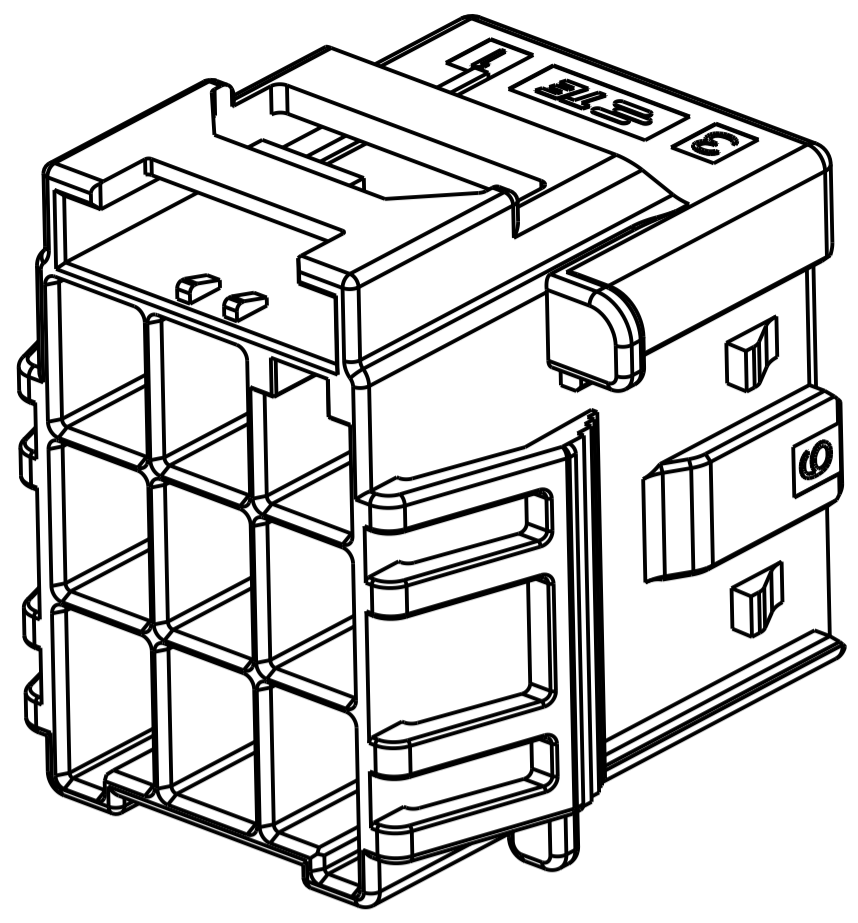
DIMENSIONS: mm  
 TOLERANCES UNLESS OTHERWISE SPECIFIED:  
 0 PLC ±  
 1 PLC ±0.35  
 2 PLC ±0.25  
 3 PLC ±  
 4 PLC ±  
 ANGLES ±

MATERIAL: FINISH:

Customer Drawing

TE Connectivity  
 NAME: CAP HOUSING, PANEL MOUNT, TRIPLE ROW POWER TRIPLE LOCK  
 SIZE: A100779 C=2232356  
 SCALE: SHEET 1 OF 2 REV C

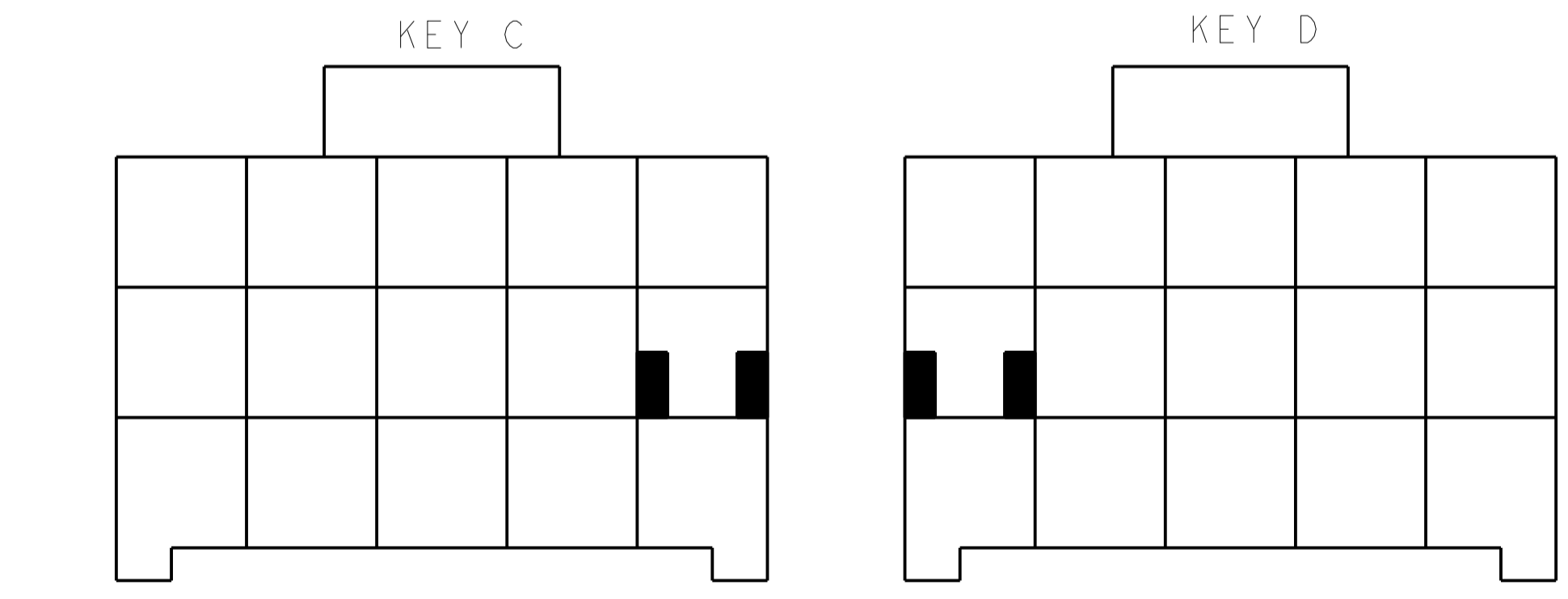
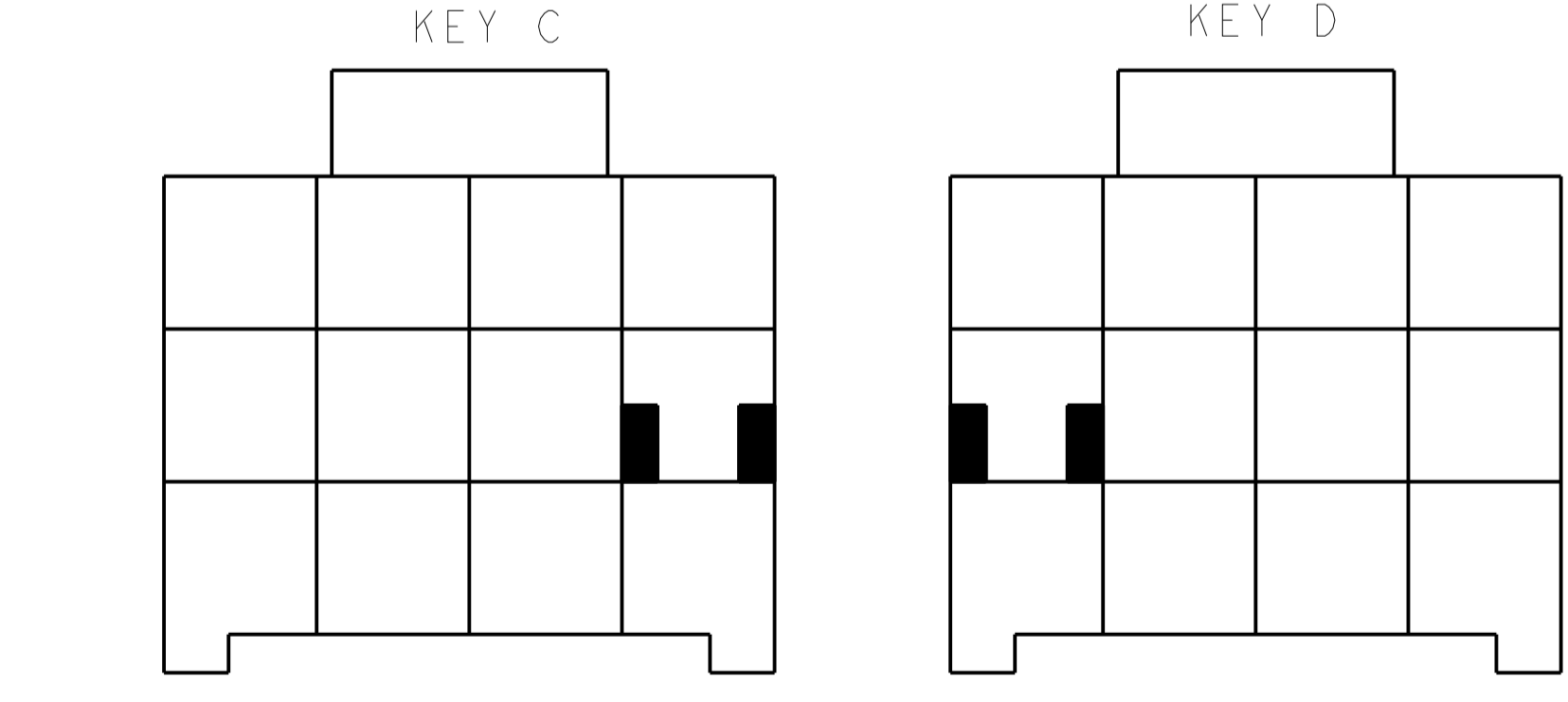
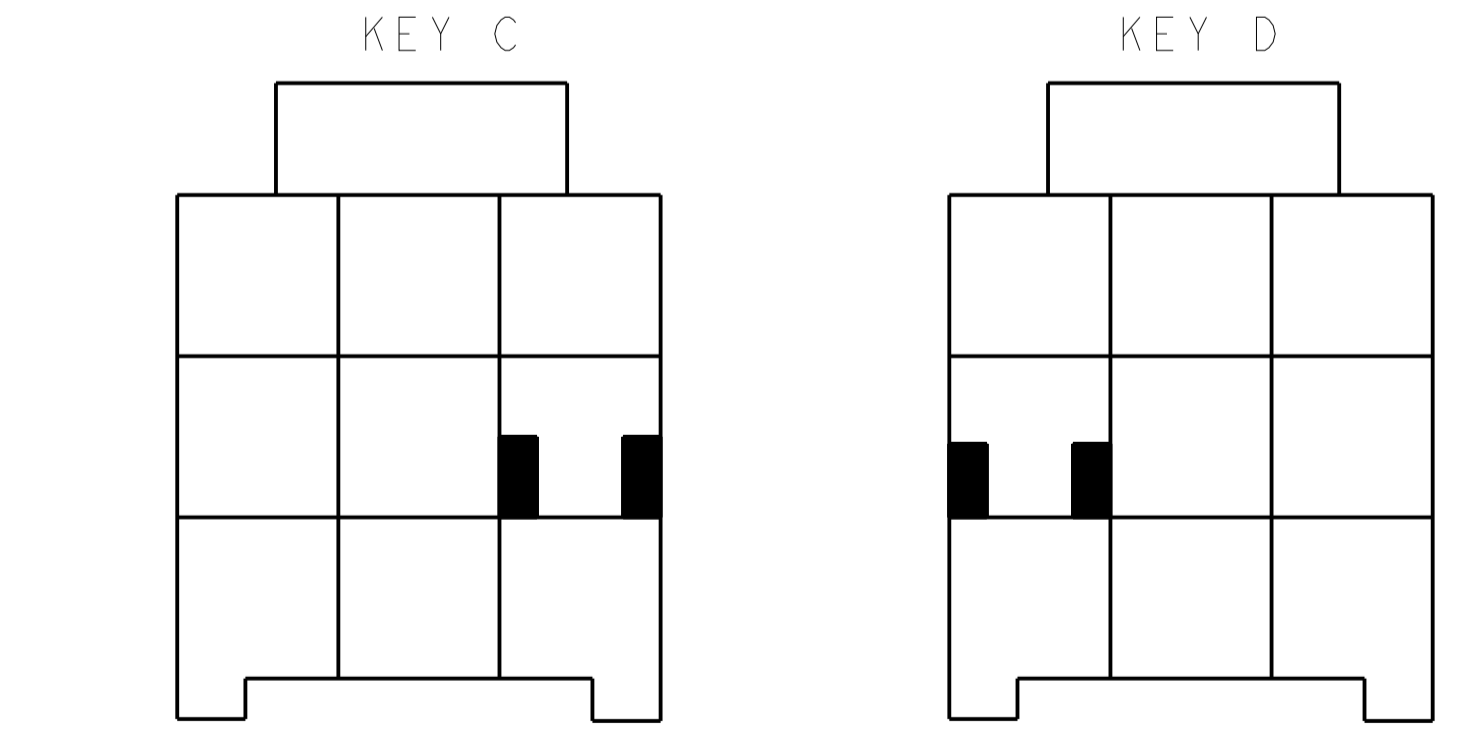
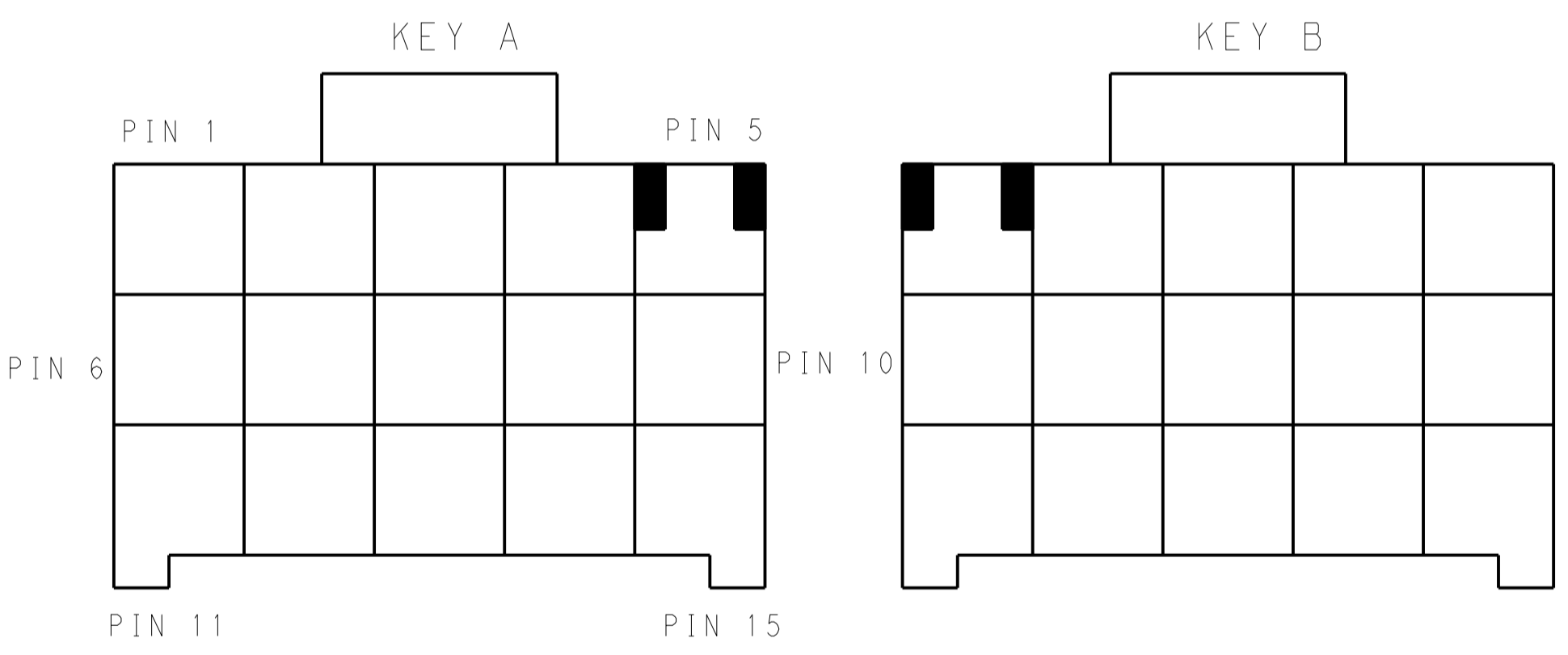
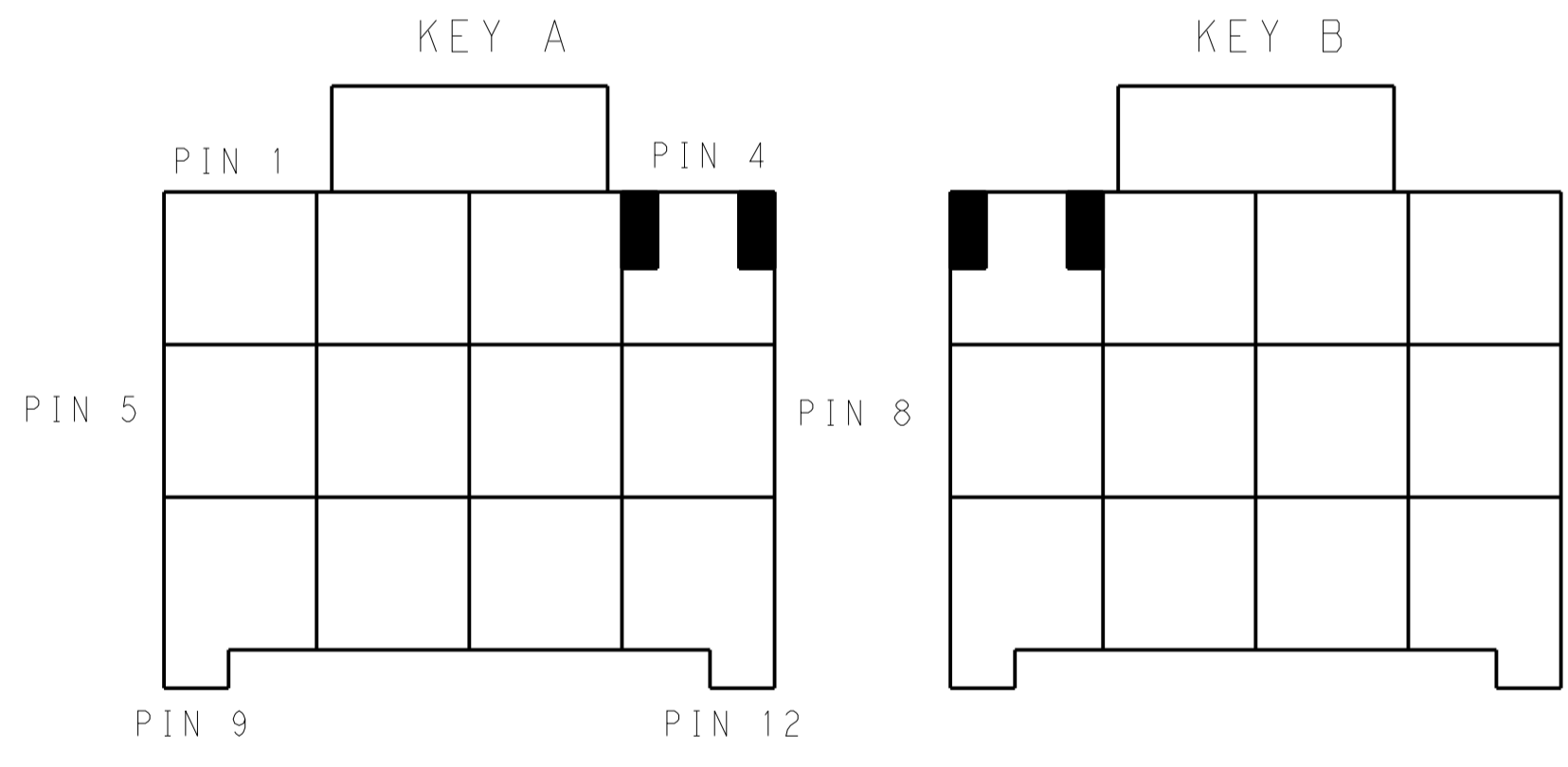
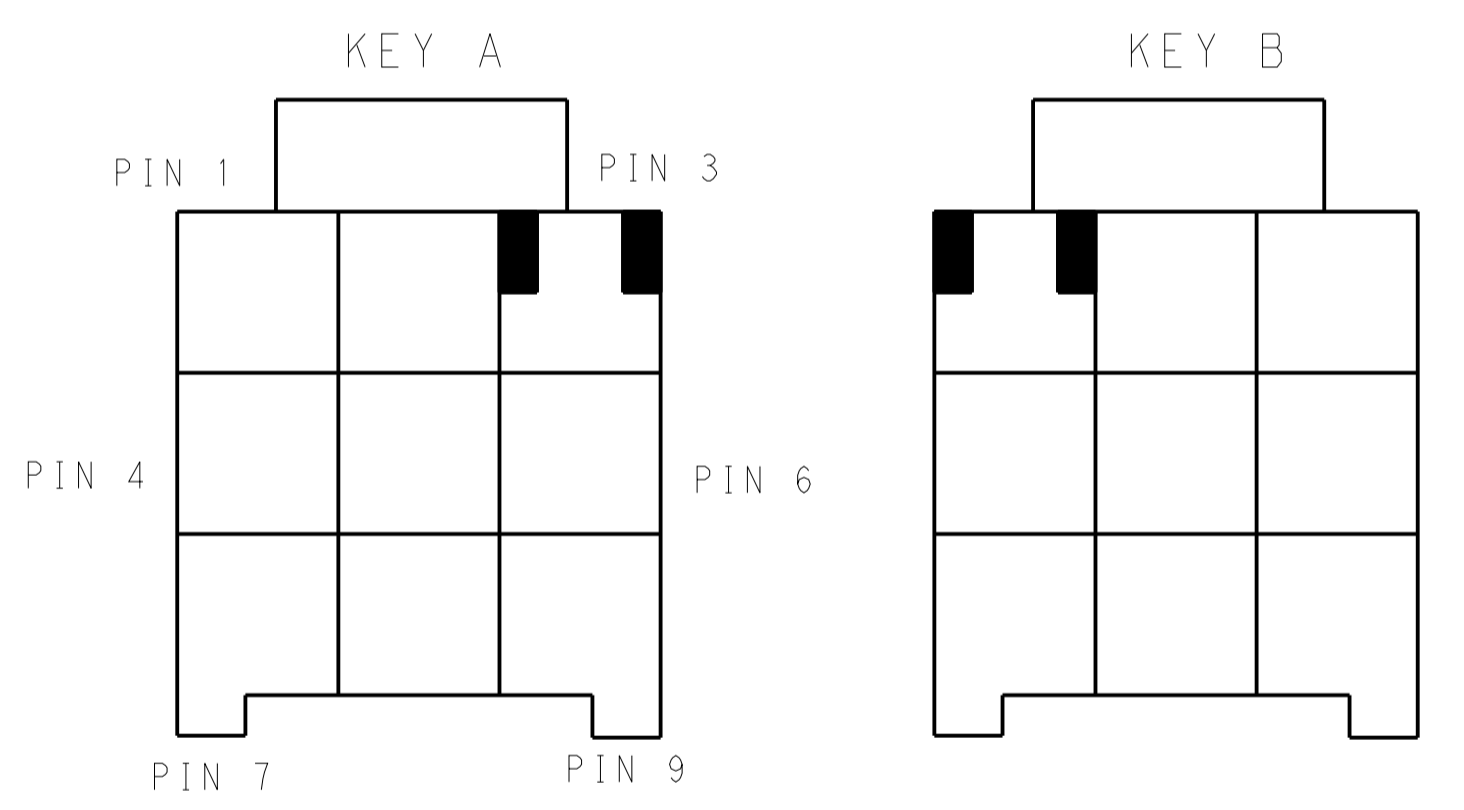
| REVISONS |      | DATE | OWN | APVD |
|----------|------|------|-----|------|
| LOC      | DIST |      |     |      |
|          |      |      |     |      |
|          |      |      |     |      |
|          |      |      |     |      |
|          |      |      |     |      |
|          |      |      |     |      |



3\*3 POSITIONS

3\*4 POSITIONS

3\*5 POSITIONS



KEYING FOR 3\*3 POS.

KEYING FOR 3\*4 POS.

KEYING FOR 3\*5 POS.

| POS. | MATERIAL | COLOR     | KEY   | P/N         |
|------|----------|-----------|-------|-------------|
| 3*5  | LEVEL A  | DARK GREY | KEY A | 5-2232356-7 |
|      |          | BROWN     | KEY B | 6-2232356-7 |
|      |          | GREEN     | KEY C | 7-2232356-7 |
|      |          | ORANGE    | KEY D | 8-2232356-7 |
| 3*4  | LEVEL B  | BLACK     | KEY A | 1-2232356-5 |
|      |          | DARK GREY | KEY A | 5-2232356-4 |
|      |          | BROWN     | KEY B | 6-2232356-4 |
|      |          | GREEN     | KEY C | 7-2232356-4 |
| 3*3  | LEVEL A  | ORANGE    | KEY D | 8-2232356-4 |
|      |          | DARK GREY | KEY A | 5-2232356-3 |
|      |          | BROWN     | KEY B | 6-2232356-3 |
|      |          | GREEN     | KEY C | 7-2232356-3 |
| 3*3  | LEVEL B  | ORANGE    | KEY D | 8-2232356-3 |
|      |          | BLACK     | KEY A | 1-2232356-6 |

THIS DRAWING IS A CONTROLLED DOCUMENT. DIMENSIONS: mm. TOLERANCES UNLESS OTHERWISE SPECIFIED: 0 PLC ±0.35, 1 PLC ±0.35, 2 PLC ±0.25, 3 PLC ±0.25, 4 PLC ±0.25, ANGLES ±0.5. MATERIAL: FINISH: .

OWN: TOMMY WU, 26MAR2013. CHK: HAPYE WU, 26MAR2013. APVD: YUHONG MAO, 26MAR2013. PRODUCT SPEC: 108-106118. APPLICATION SPEC: 114-106118. WEIGHT: .

Customer Drawing. SCALE: SHEET 2 OF 2. REV C.

**STE** TE Connectivity. NAME: CAP HOUSING, PANEL MOUNT, TRIPLE ROW POWER TRIPLE LOCK. SIZE: CAGE CODE: DRAWING NO: A100779. ©=2232356.

单击下面可查看定价，库存，交付和生命周期等信息

[>>TE Connectivity\(泰科\)](#)