

THIS DRAWING IS UNPUBLISHED. RELEASED FOR PUBLICATION 20
 © COPYRIGHT 20 BY TYCO ELECTRONICS CORPORATION. ALL RIGHTS RESERVED.

LOC	DIST	REVISIONS			
P	LTR	DESCRIPTION	DATE	DWN	APVD
CE	00	A	RELEASE TO ACTIVE	08JUN2006	BB SM
		AI	ADD NOTE 5.	12MAY2009	KG SB

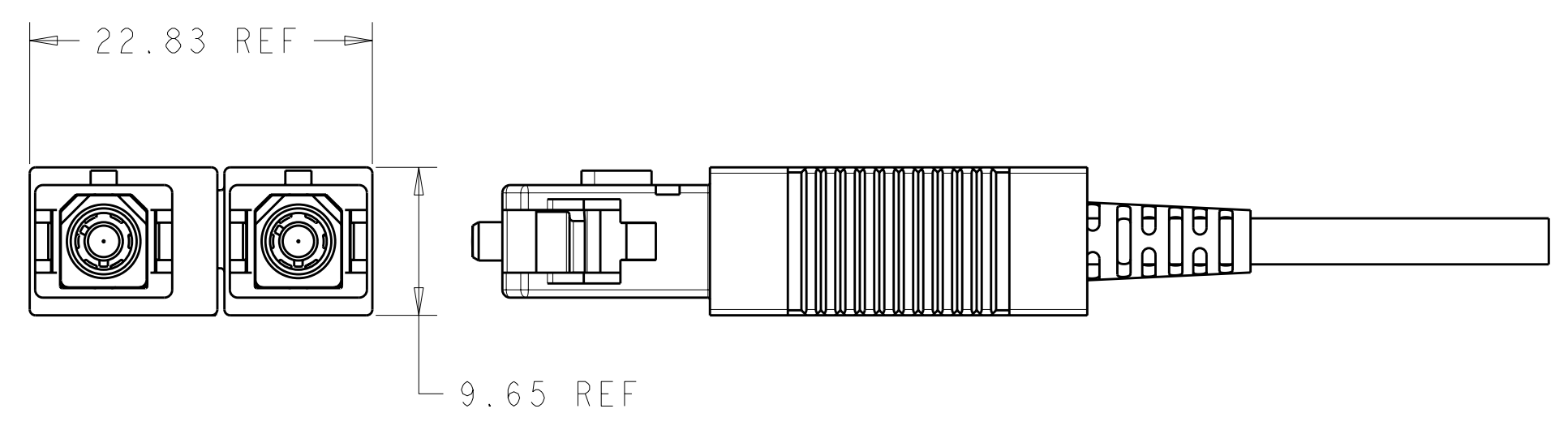
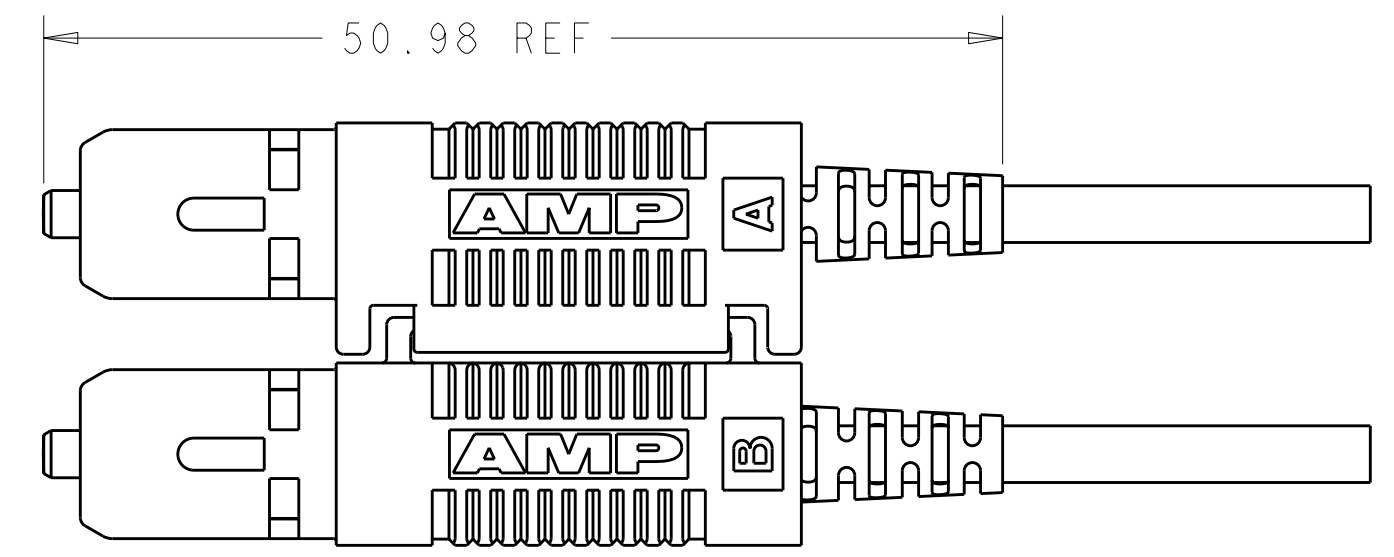
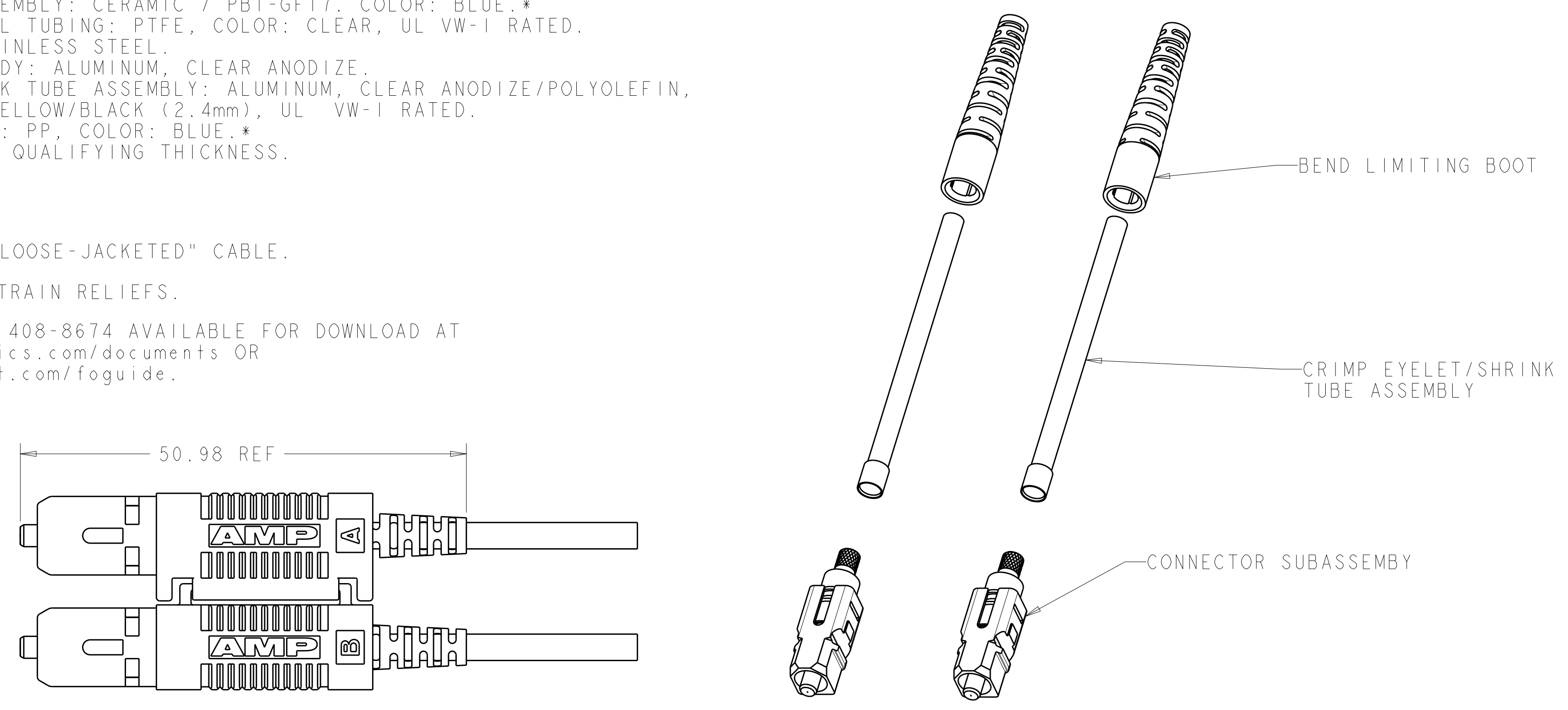
1 MATERIAL:
 PROTECTIVE COVER: LDPE, COLOR: BLACK, NON-FR.
 CONNECTOR HOUSING: PBT-GF17, COLOR: BLUE.*
 CONNECTOR SUBASSEMBLY:
 PLUG BODY: PES-GF20, COLOR: BEIGE.*
 FERRULE ASSEMBLY: CERAMIC / PBT-GF17. COLOR: BLUE.*
 EPOXY - FILL TUBING: PTFE, COLOR: CLEAR, UL VW-1 RATED.
 SPRING: STAINLESS STEEL.
 RETAINER BODY: ALUMINUM, CLEAR ANODIZE.
 CRIMP EYELET/SHRINK TUBE ASSEMBLY: ALUMINUM, CLEAR ANODIZE/POLYOLEFIN,
 COLOR: WHITE AND YELLOW/BLACK (2.4mm), UL VW-1 RATED.
 BEND LIMITING BOOT: PP, COLOR: BLUE.*
 *UL94 V-0 RATED AT QUALIFYING THICKNESS.

2 BULK PACKAGE.

3. TO BE USED WITH "LOOSE-JACKETED" CABLE.

4 KIT CONTAINS NO STRAIN RELIEFS.

5. INSTRUCTION SHEET 408-8674 AVAILABLE FOR DOWNLOAD AT
www.tycoelectronics.com/documents OR
www.ampnetconnect.com/foguide.



2	2.4mm	6693776-6
	2.4mm	6693776-5
4 2	1.6mm-2.0mm	6693776-4
4	1.6mm-2.0mm	6693776-3
2	1.6mm-2.0mm	6693776-2
	1.6mm-2.0mm	6693776-1
	CABLE SIZE	PART NO.



THIS DRAWING IS A CONTROLLED DOCUMENT FOR TYCO ELECTRONICS CORPORATION IT IS SUBJECT TO CHANGE AND THE CONTROLLING ENGINEERING ORGANIZATION SHOULD BE CONTACTED FOR THE LATEST REVISION.		DWN B. BRIGGS 15JUL2005 CHK S. MILLER 15JUL2005 APVD S. BUCHTER 15JUL2005	Tyco Electronics Harrisburg, PA 17105-3608
DIMENSIONS: mm 	TOLERANCES UNLESS OTHERWISE SPECIFIED: 0 PLC ± 1 PLC ± 2 PLC ± 3 PLC ± 4 PLC ± ANGLES ± FINISH	PRODUCT SPEC APPLICATION SPEC WEIGHT CUSTOMER DRAWING	NAME KIT, SC SM DUPLEX, 1.6mm - 2.4mm CABLE SIZE A2 CAGE CODE 00779 DRAWING NO. 6693776 RESTRICTED TO SCALE 2:1 SHEET 1 OF 1 REV A1

单击下面可查看定价，库存，交付和生命周期等信息

[>>TE Connectivity\(泰科\)](#)